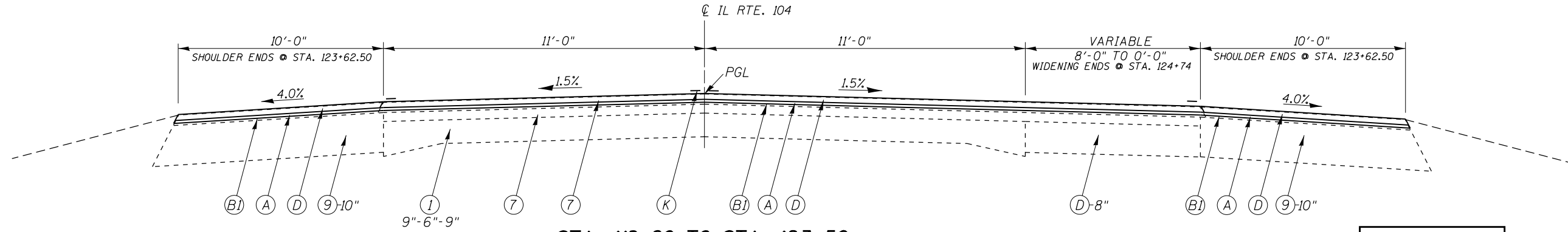


\*\* PROPOSED SUB-BASE GRANULAR MATERIAL TO BE PLACED ONLY WHERE P.C.C. MEDIAN IS PROPOSED.

- PROPOSED MEDIAN SURFACE REMOVAL
- PROPOSED CURB & GUTTER REMOVAL
- PROPOSED EARTHEN MATERIAL FILL

STA. 114+98 TO STA. 117+78 ----- GRASS MEDIAN  
 STA. 117+78 TO STA. 118+34 ----- CONCRETE MEDIAN  
 STA. 118+34 TO STA. 119+90 ----- CORRUGATED MEDIAN

**TYPICAL #12**



STA. 119+90 TO STA. 123+50

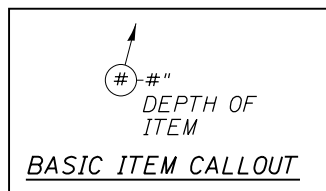
**TYPICAL #13**

**EXISTING LEGEND**

- ① P.C.C. PAVEMENT
- ② CONCRETE PAVEMENT
- ③ P.C.C. BASE COURSE
- ④ P.C.C. BASE COURSE WIDENING
- ⑤ BITUMINOUS CONCRETE BASE COURSE
- ⑥ BITUMINOUS CONCRETE BASE COURSE WIDENING
- ⑦ BITUMINOUS CONCRETE SURFACE COURSE
- ⑧ BITUMINOUS SHOULDERS
- ⑨ STABILIZED SHOULDERS
- ⑩ AGGREGATE SHOULDERS
- ⑪ P.C.C. GUTTER
- ⑫ P.C.C. MEDIAN OR EARTHEN MEDIAN
- ⑬ COMBINATION CONCRETE CURB & GUTTER, TYPE M 6.06
- ⑭ CONCRETE CORRUGATED MEDIAN
- ⑮ STABILIZED SUB-BASE MATERIAL, 4"

**PROPOSED LEGEND**

- (A) LEVELING BINDER (MACHINE METHOD), N90, 1"
- (B) HOT-MIX ASPHALT SURFACE REMOVAL, VARIABLE DEPTH
- (B1) HOT -MIX ASPHALT SURFACE REMOVAL, 2"
- (C) LEVELING BINDER (MACHINE METHOD), N70, 3/4"
- (D) HOT-MIX ASPHALT SURFACE COURSE, MIX "D", N70, 1 1/2"
- (E) HOT-MIX ASPHALT SURFACE COURSE, MIX "D", N90, 1 1/2"
- (F) HOT-MIX ASPHALT BASE COURSE, 12"
- (G) COMBINATION CONCRETE CURB & GUTTER, TYPE M 6.06
- (H) AGGREGATE SHOULDER, TYPE B
- (I) SUB-BASE GRANULAR MATERIAL, TYPE B, 4"
- (J) P.C.C. MEDIAN SURFACE, 4" OR EARTHEN MEDIAN
- (K) PAVEMENT MARKING - LINE 5"
- (L) PIPE DRAIN, 6" DIAMETER
- (M) COMBINATION CONCRETE CURB & GUTTER, TYPE M 6.24
- (N) HOT-MIX ASPHALT SHOULDERS, 9"
- (O) SUBBASE GRANULAR MATERIAL, TYPE A, 4"



FILE NAME =	USER NAME = sparksgw	DESIGNED - RTS	REVISED -	<b>STATE OF ILLINOIS DEPARTMENT OF TRANSPORTATION</b>	<b>TYPICAL CROSS SECTIONS</b>			F.A.P. RTE.	SECTION	COUNTY	TOTAL SHEETS	SHEET NO.
et:\pw\work\pwidot\sparksgw\10245433\0672E12-T1ms_ttypicals.dgn	DRAWN - RTS	REVISED -			753	(140RS-6, 141RS-7)I	SANGAMON	98	16			
PLOT SCALE = 4.0000' / in.	CHECKED -	REVISED -			CONTRACT NO. 72E12							
PLOT DATE = Apr-09-2012 03:33:10PM	DATE - 01-04-12	REVISED -			SCALE:	SHEET NO. 8 OF 11 SHEETS	STA.	TO STA.	ILLINOIS FED. AID PROJECT			