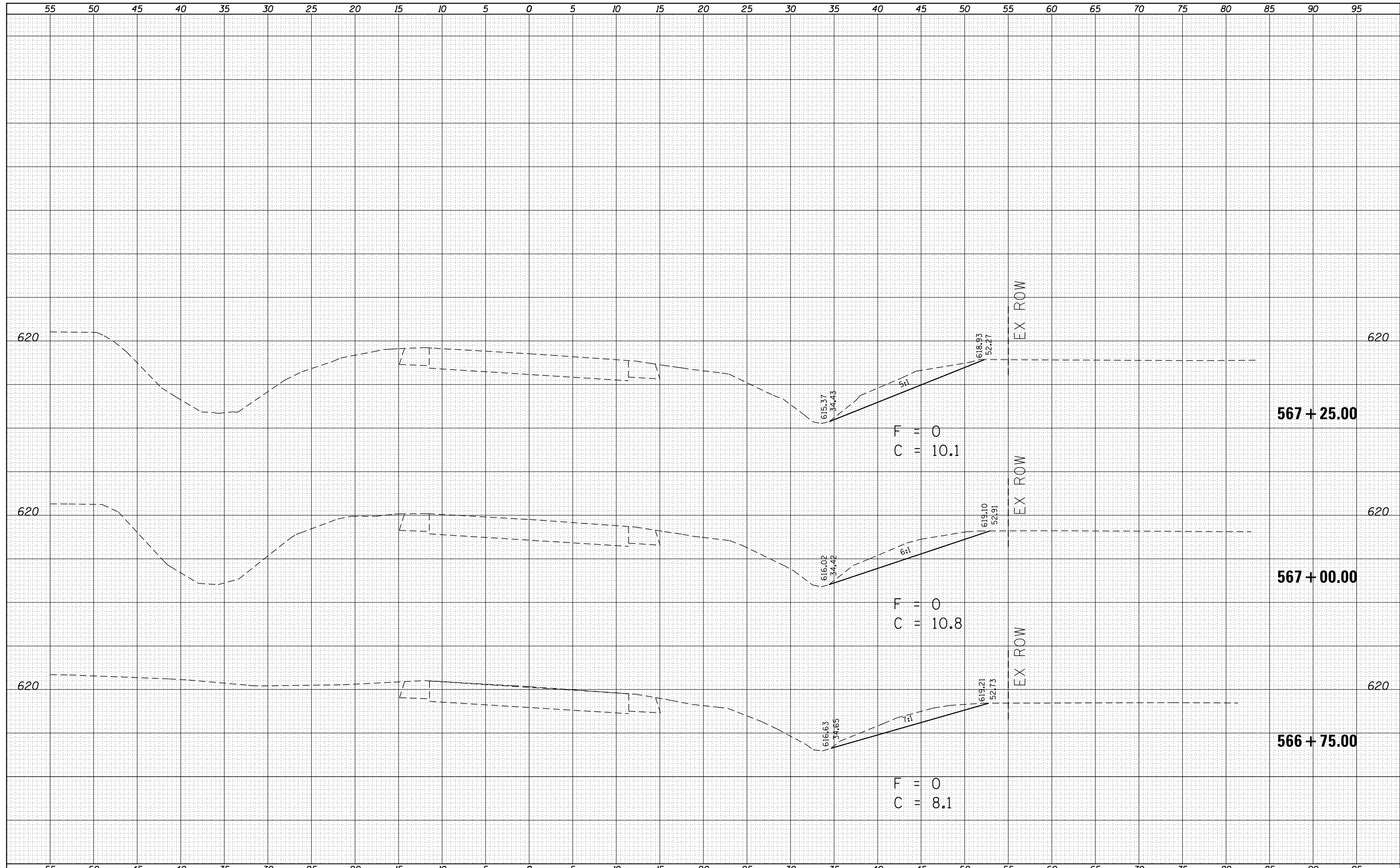


DATE	
BY	
FINAL SURVEY NO.	
SURVEYED AREAS CHECKED	
PLOTTED TEMPLATE	
NOTE BOOK	
AREAS CHECKED	

DATE	
BY	
ORIGINAL SURVEY NO.	
SURVEYED AREAS CHECKED	
PLOTTED TEMPLATE	
NOTE BOOK	
AREAS CHECKED	



FILE NAME =	USER NAME = sparksgw	DESIGNED -	REVISIED -	STATE OF ILLINOIS DEPARTMENT OF TRANSPORTATION	CROSS SECTIONS (IL 104 DIXON ROAD)			F.A.P. RTE.	SECTION	COUNTY	TOTAL SHEETS	SHEET NO.
c:\pw\work\p\dot\sparksgw\d0245433\06xxxxx-sh	-xssh.tdgn	DRAWN -	REVISIED -		753	(140RS-6, 141RS-7)I	SANGAMON	98	79			
PLOT SCALE = 10.0000' / in.		CHECKED -	REVISIED -		CONTRACT NO. 72E12							
PLOT DATE = Apr-09-2012 03:37:06PM		DATE -	REVISIED -		ILLINOIS FED. AID PROJECT							
SCALE:					SHEET NO. 4 OF 6 SHEETS		STA. 566+75.00 TO STA. 567+25.00					