

06-15-12 LETTING ITEM 128

STATE OF ILLINOIS  
DEPARTMENT OF TRANSPORTATION  
DIVISION OF HIGHWAYS  
**PROPOSED  
CONTRACT MAINTENANCE**

FAP 320 (IL 121)  
SECTION (134)RS-9

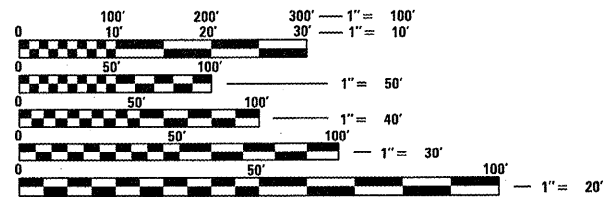
LOGAN COUNTY

C-96-049-12

F.A.P. RTE.	SECTION	COUNTY	TOTAL SHEETS	SHEET NO.
320	(134)RS-9	LOGAN	9	1
FED. ROAD DIST. NO.	ILLINOIS	CONTRACT NO. 72F34		

FOR INDEX OF SHEETS, SEE SHEET NO. 2

ADT = 3,900 (850)

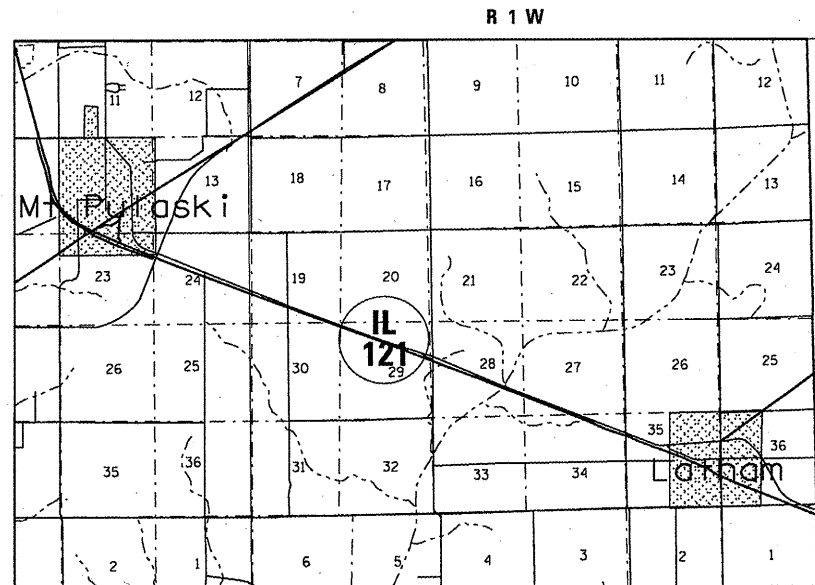


FULL SIZE PLANS HAVE BEEN PREPARED USING STANDARD ENGINEERING SCALES. REDUCED SIZED PLANS WILL NOT CONFORM TO STANDARD SCALES. IN MAKING MEASUREMENTS ON REDUCED PLANS, THE ABOVE SCALES MAY BE USED.

J.U.L.I.E.  
JOINT UTILITY LOCATION INFORMATION FOR EXCAVATION  
1-800-892-0123  
OR 811

PLAN AND CONTRACT TECHNICIAN  
TIMOTHY SHARP (217)782-7743

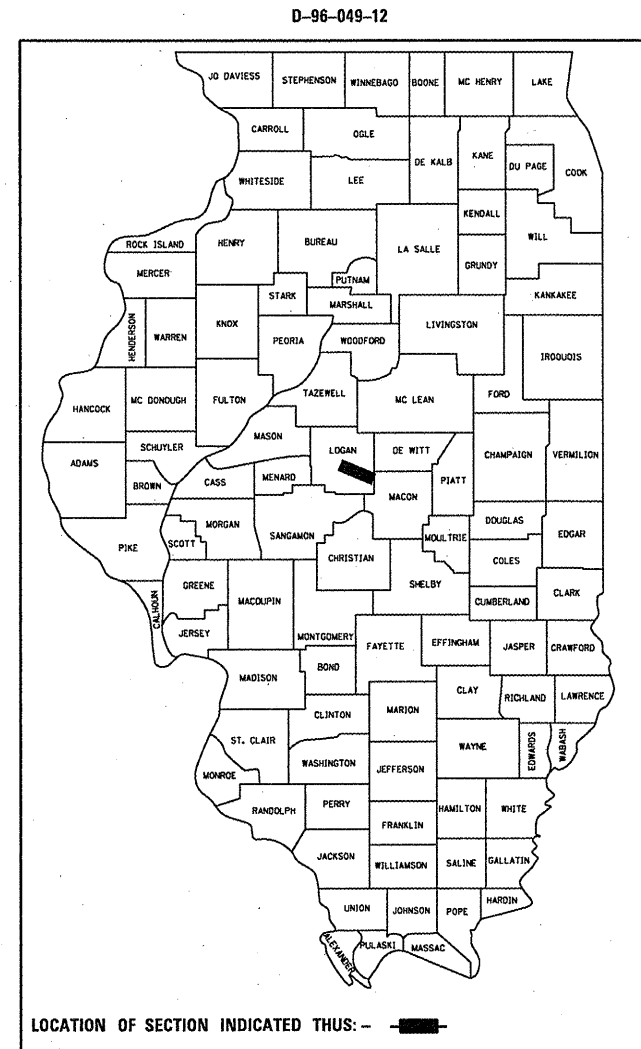
CONTRACT NO. 72F34



BEGIN PROJECT  
STA. 363 + 80

END PROJECT  
STA. 443 + 00

NET LENGTH = 7,920.00 FT. = 1.500 MILE



STATE OF ILLINOIS  
DEPARTMENT OF TRANSPORTATION  
DIVISION OF HIGHWAYS

SUBMITTED April 9 2012  
Regan Z. Dushoff  
DEPUTY DIRECTOR OF HIGHWAYS, REGION ENGINEER

May 11 2012  
John D. Baranzelli, P.E.  
ENGINEER OF DESIGN AND ENVIRONMENT

May 11 2012  
William R. Frey, Jr.  
DIRECTOR OF HIGHWAYS, CHIEF ENGINEER

PRINTED BY THE AUTHORITY  
OF THE STATE OF ILLINOIS

INDEX

- 1 COVER
- 2 INDEX/STANDARDS/SIGNATURES
- 3-4 QUANTITIES
- 5 LOCATION MAP
- 6-7 TYPICAL SECTIONS
- 8 SCHEDULES
- 9 BUTT JOINT DETAILS

STANDARDS

- 442201-03
- 701001-02
- 701006-03
- 701201-04
- 701301-04
- 701306-03
- 701311-03
- 701901-02
- 780001-03
- 781001-03

<b>STATE OF ILLINOIS DEPARTMENT OF TRANSPORTATION DIVISION OF HIGHWAYS DISTRICT 6</b>	
EXAMINED <u>4/5</u> 20 <u>12</u>	<u>Wallace M. Beyer</u> ENGINEER OF OPERATIONS
EXAMINED <u>MARCH 8</u> 20 <u>12</u>	<u>Jimmy F. Ford</u> ENGINEER OF PROJECT IMPLEMENTATION
EXAMINED <u>March 9</u> 20 <u>12</u>	<u>John C. Waparynski</u> ENGINEER OF PROGRAM DEVELOPMENT

INDEX/STANDARDS/SIGNATURES  
FAP 320 (IL 121)  
SECTION (134)RS-9  
LOGAN COUNTY

S U M M A R Y O F Q U A N T I T I E S

CODE NO.	ITEM	UNIT	100% STATE
			0005
			TOTAL QTY
40600200	BITUMINOUS MATERIALS (PRIME COAT)	TON	8.1
40600300	AGGREGATE (PRIME COAT)	TON	42.3
40600895	CONSTRUCTING TEST STRIP	EACH	1
40600990	TEMPORARY RAMP	SQ YD	27
40603315	HOT-MIX ASPHALT SURFACE COURSE, MIX C, N70	TON	1,775
44000155	HOT-MIX ASPHALT SURFACE REMOVAL 1 1/2"	SQ YD	21,120
44200144	PAVEMENT PATCHING, TYPE II, 12 INCH	SQ YD	102.7
44200148	PAVEMENT PATCHING, TYPE III, 12 INCH	SQ YD	114.7
44200150	PAVEMENT PATCHING, TYPE IV, 12 INCH	SQ YD	240.1
67100100	MOBILIZATION	L SUM	1

QUANTITIES  
FAP 320 (IL 121)  
SECTION (134)RS-9  
LOGAN COUNTY

S U M M A R Y O F Q U A N T I T I E S

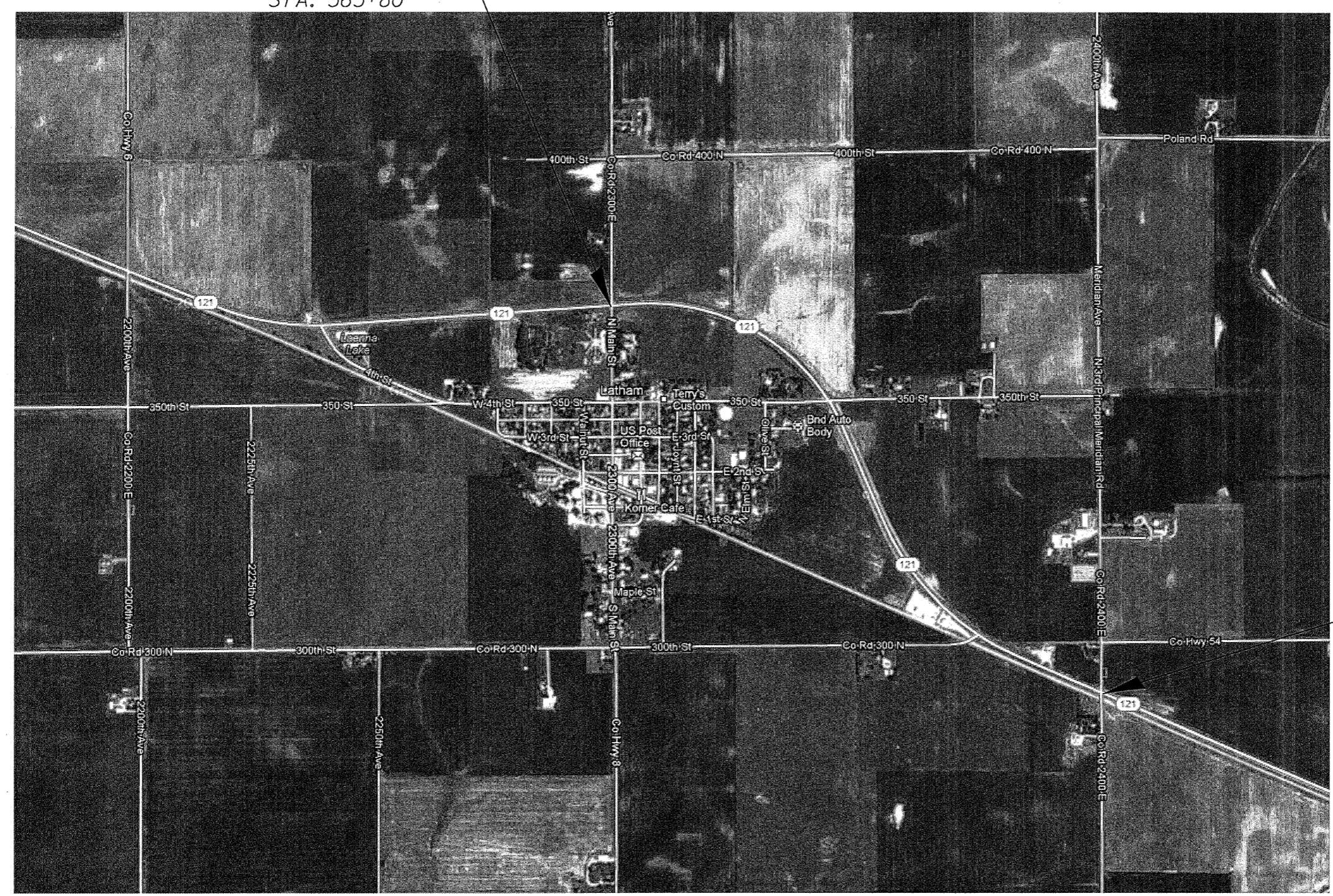
CODE NO.	ITEM	UNIT	100% STATE
			0005
			TOTAL QTY
70100450	TRAFFIC CONTROL AND PROTECTION, STANDARD 701201	L SUM	1
70100460	TRAFFIC CONTROL AND PROTECTION, STANDARD 701306	L SUM	1
70300100	SHORT-TERM PAVEMENT MARKING	FOOT	1,584
70300230	TEMPORARY PAVEMENT MARKING - LINE 5"	FOOT	17,820
70301000	WORK ZONE PAVEMENT MARKING REMOVAL	SQ FT	264
* 78001120	PAINT PAVEMENT MARKING - LINE 5"	FOOT	17,820
* 78100100	RAISED REFLECTIVE PAVEMENT MARKER	EACH	100
78300200	RAISED REFLECTIVE PAVEMENT MARKER REMOVAL	EACH	100

\*SPECIALTY ITEM

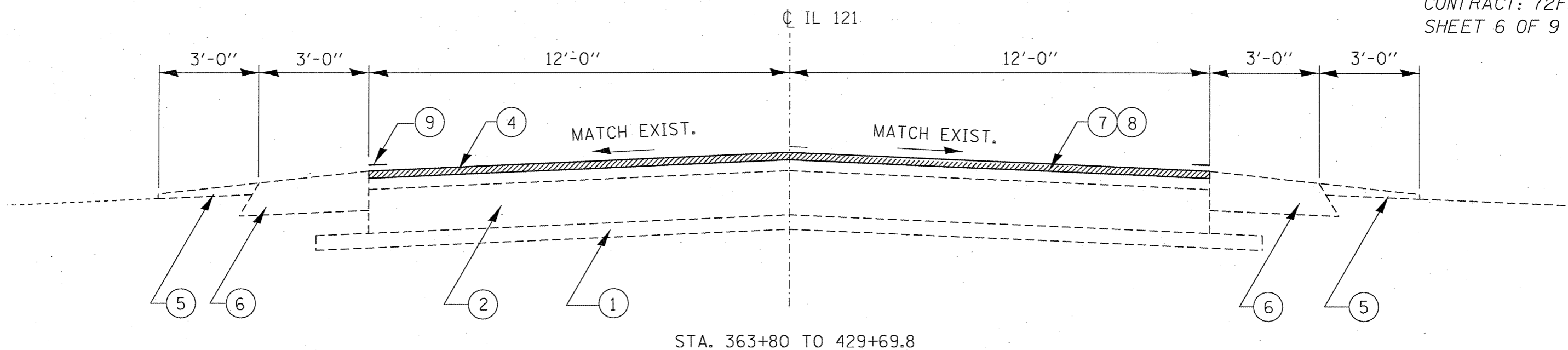
QUANTITIES  
FAP 320 (IL 121)  
SECTION (134)RS-9  
LOGAN COUNTY

BEGIN PROJECT  
STA. 363+80

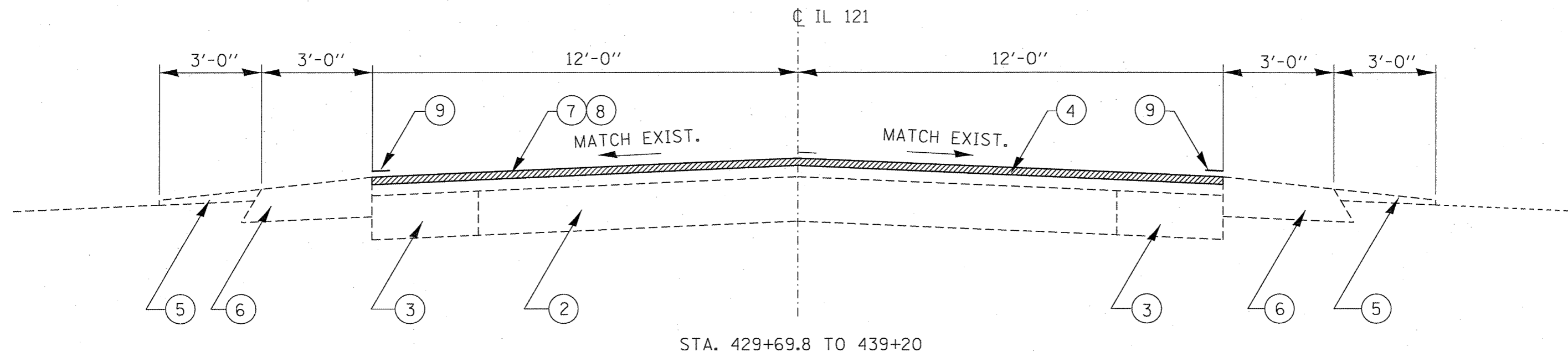
END PROJECT  
STA. 443+00



PLAN  
FAP 320 (IL 121)  
SECTION (134)RS-9  
LOGAN COUNTY



STA. 363+80 TO 429+69.8

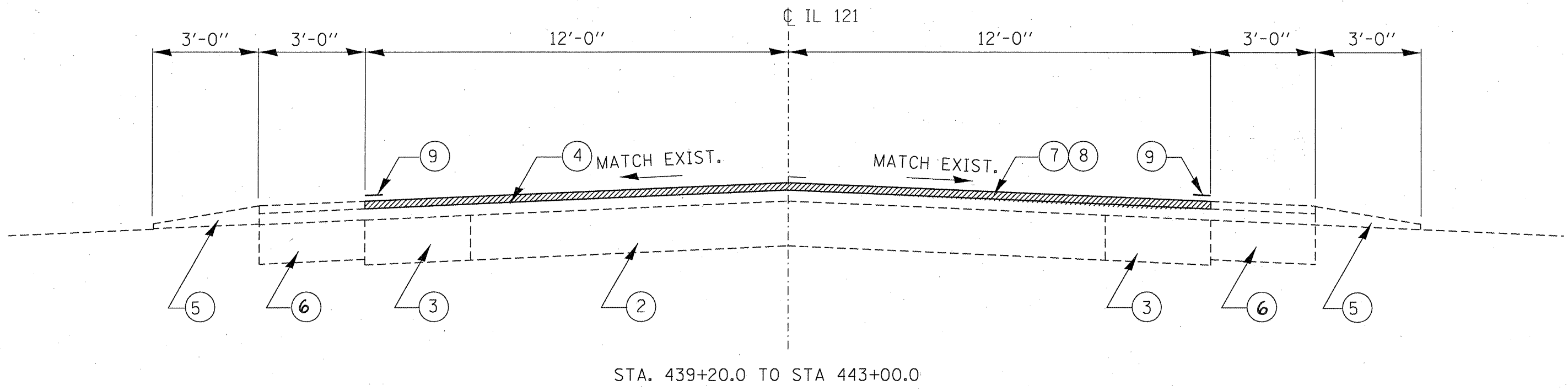


STA. 429+69.8 TO 439+20

**LEGEND**

- 1 - EXIST. SUB-BASE GRANULAR MATERIAL
- 2 - EXIST. P.C.C. BASE COURSE 9"
- 3 - EXIST. P.C.C. BASE COURSE WIDENING 9"
- 4 - EXIST. H.M.A. SURFACE COURSE
- 5 - EXIST. AGG. SHOULDER TYPE B
- 6 - EXIST. H.M.A. SHOULDERS 8" WITH RUMBLE STRIPS
- 7 - PROP. H.M.A. SURFACE REMOVAL 1 1/2"
- 8 - PROP. H.M.A. SURFACE COURSE, MIX C, N70 1 1/2"
- 9 - PROP. PAINT PAVEMENT MARKING - LINE 5"

TYPICAL SECTION  
FAP 320 (IL 121)  
SECTION (134)RS-9  
LOGAN COUNTY



**L E G E N D**

- 1 - EXIST. SUB-BASE GRANULAR MATERIAL
- 2 - EXIST. P.C.C. BASE COURSE 9"
- 3 - EXIST. P.C.C. BASE COURSE WIDENING 9"
- 4 - EXIST. H.M.A. SURFACE COURSE
- 5 - EXIST. AGG. SHOULDER TYPE B
- 6 - EXIST. H.M.A. SHOULDERS 8" WITH RUMBLE STRIPS
- 7 - PROP. H.M.A. SURFACE REMOVAL 1 1/2"
- 8 - PROP. H.M.A. SURFACE COURSE, MIX C, N70 1 1/2"
- 9 - PROP. PAINT PAVEMENT MARKING - LINE 5"

TYPICAL SECTION  
FAP 320 (IL 121)  
SECTION (134)RS-9  
LOGAN COUNTY

PAVEMENT MARKING SCHEDULE			
STATION	TYPE	PAINT PAVEMENT MARKING LINE 5"	
		WHITE	YELLOW
LT & RT STA. 363+80 TO 443+00	EDGE LINE	15,840 FT	
STA. 363+80 TO 443+00	SKIP DASH		1,980 FT
TOTALS		15,840 FT	1,980 FT

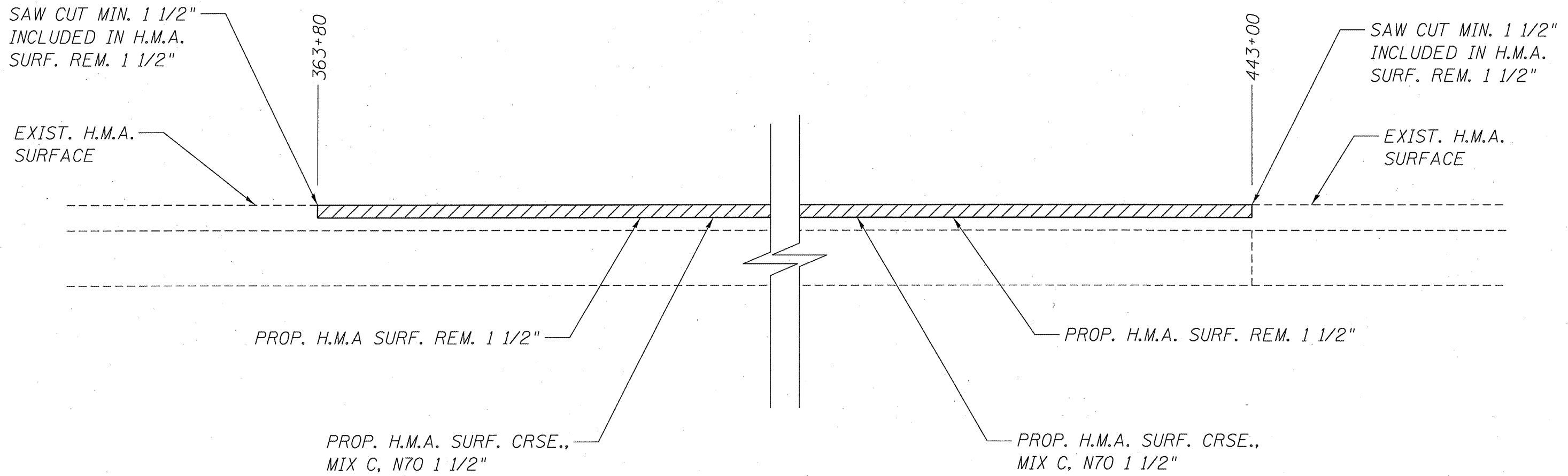
MIXTURE REQUIREMENTS		
THE FOLLOWING MIXTURE REQUIREMENTS ARE APPLICABLE FOR THIS PROJECT		
MIXTURE USE(S):	H.M.A. S.C., MIX C, N70	PAVEMENT PATCHING
AC/PG	PG 64-22	PG 64-22
DESIGN AIR VOIDS:	4.0% @ N DESIGN = 70	4% @ N DESIGN = 70
MIXTURE COMP:	IL 9.5 OR 12.5	IL 19.0
FRICTION AGG:	MIX "C"	N/A

NOTES:

1. STATIONS ARE APPROXIMATE.

SCHEDULES  
FAP 320 (IL 121)  
SECTION (134)RS-9  
LOGAN COUNTY





BUTT JOINT  
FAP 320 (IL 121)  
SECTION (134)I-1  
LOGAN COUNTY