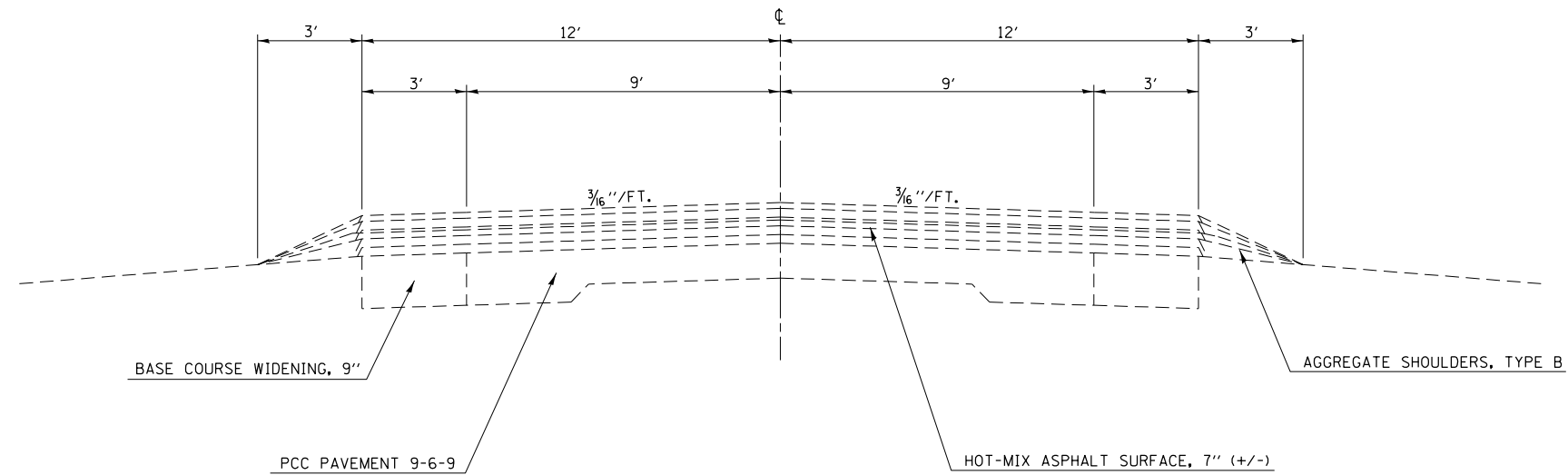


① EXISTING TYPICAL SECTION

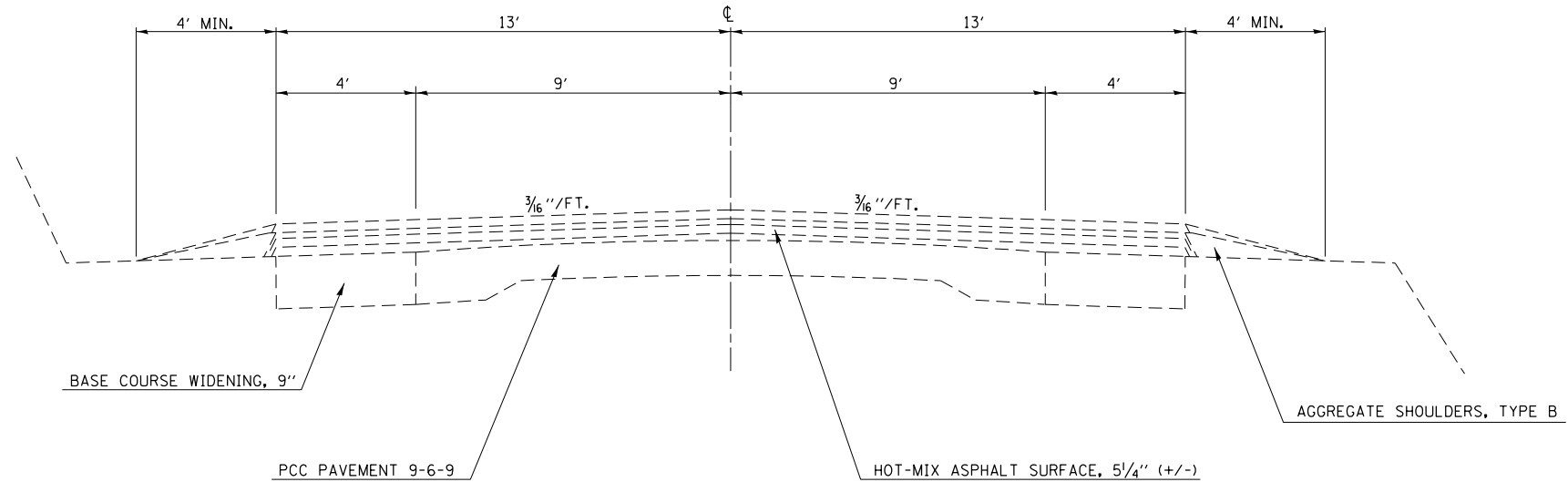
STA. 631+88.00 TO STA. 818+14.96



NOTE: NOT TO SCALE

② EXISTING TYPICAL SECTION

STA. 818+14.96 TO STA. 1057+25.96
 STA. 1086+25.96 TO STA. 1091+25.96
 STA. 1101+25.96 TO STA. 1133+25.96
 STA. 1182+25.96 TO STA. 1231+25.96
 STA. 1260+25.96 TO STA. 1280+28.96 RT.
 STA. 1260+25.96 TO STA. 1283+25.96 LT.



NOTE: NOT TO SCALE

| | | | |
|--|-------------------------------|------------|-----------|
| FILE NAME = | USER NAME = steffenmk | DESIGNED - | REVISED - |
| ct:\pwork\pwork\stevfenmk\dms52759\d74247-sht-typicals.dgn | | DRAWN - | REVISED - |
| | PLOT SCALE = 100.0000' / 1" = | CHECKED - | REVISED - |
| | PLOT DATE = 3/23/2012 | DATE - | REVISED - |

STATE OF ILLINOIS
 DEPARTMENT OF TRANSPORTATION

TYPICAL CROSS SECTIONS

SCALE: NA SHEET NO. 1 OF 6 SHEETS STA. TO STA.

| F.A.P. RTE. | SECTION | COUNTY | TOTAL SHEETS | SHEET NO. |
|---------------------------|---------------|---------|--------------|-----------|
| 116 | (126,127)RS-5 | EDWARDS | 51 | 7 |
| CONTRACT NO. 74247 | | | | |
| ILLINOIS FED. AID PROJECT | | | | |