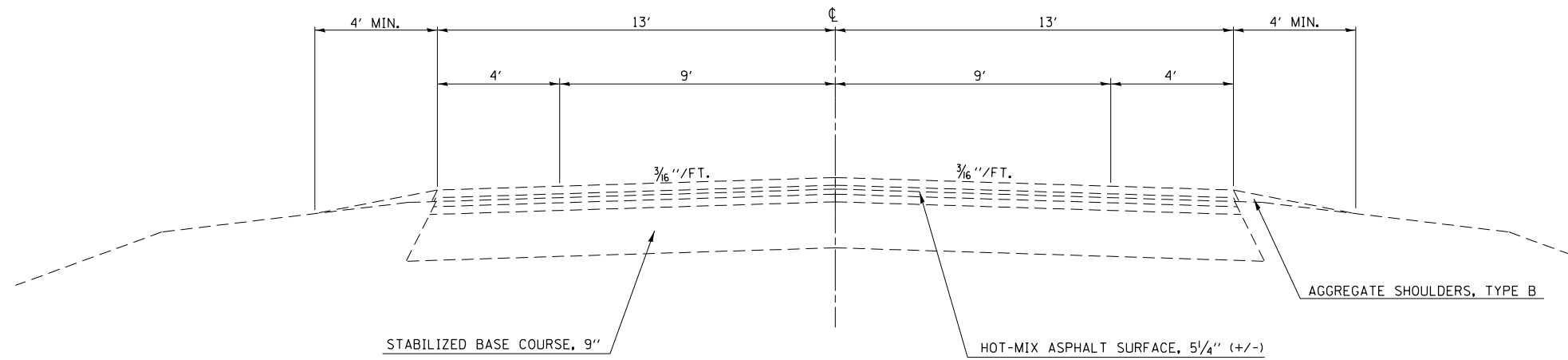


⑤ EXISTING TYPICAL SECTION

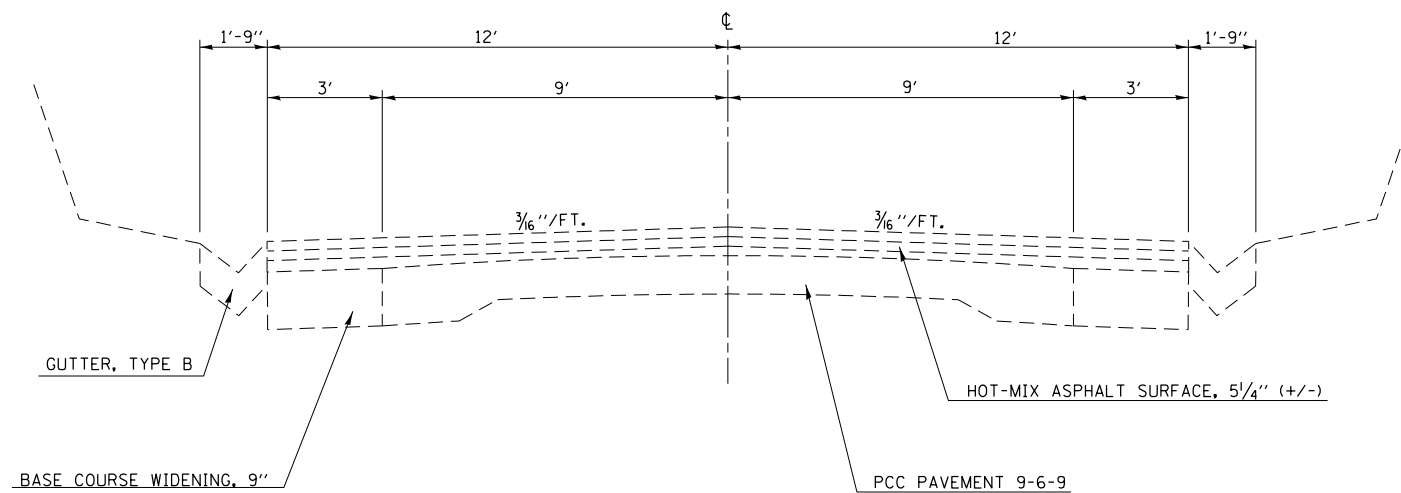
STA. 1231+25.96 TO STA. 1241+25.96



NOTE: NOT TO SCALE

⑥ EXISTING TYPICAL SECTION

STA. 1295+90.19 RT. TO STA. 1300+40.60  
 STA. 1296+10.19 LT. TO STA. 1300+40.60  
 STA. 1300+40.60 (BK) = STA. 1300+36.37 (AH)  
 STA. 1300+36.37 TO STA. 1306+22.20  
 STA. 1306+22.20 (BK) = STA. 1306+28.50 (AH)  
 STA. 1306+28.50 TO STA. 1317+32.26



NOTE: NOT TO SCALE

FILE NAME =	USER NAME = steffenmk	DESIGNED -	REVISED -	<b>STATE OF ILLINOIS DEPARTMENT OF TRANSPORTATION</b>	<b>TYPICAL CROSS SECTIONS</b>			F.A.P. RTE.	SECTION	COUNTY	TOTAL SHEETS	SHEET NO.	
ci:\pw\work\p\dot\steffenmk\dms52759\d74247-sht-typicals.dgn		DRAWN -	REVISED -		SCALE: NA	SHEET NO. 3 OF 6 SHEETS	STA.	TO STA.	116	(126,127)RS-5	EDWARDS	51	9
	PLOT SCALE = 100.0000' / in.	CHECKED -	REVISED -					CONTRACT NO. 74247					
	PLOT DATE = 3/23/2012	DATE -	REVISED -					ILLINOIS FED. AID PROJECT					