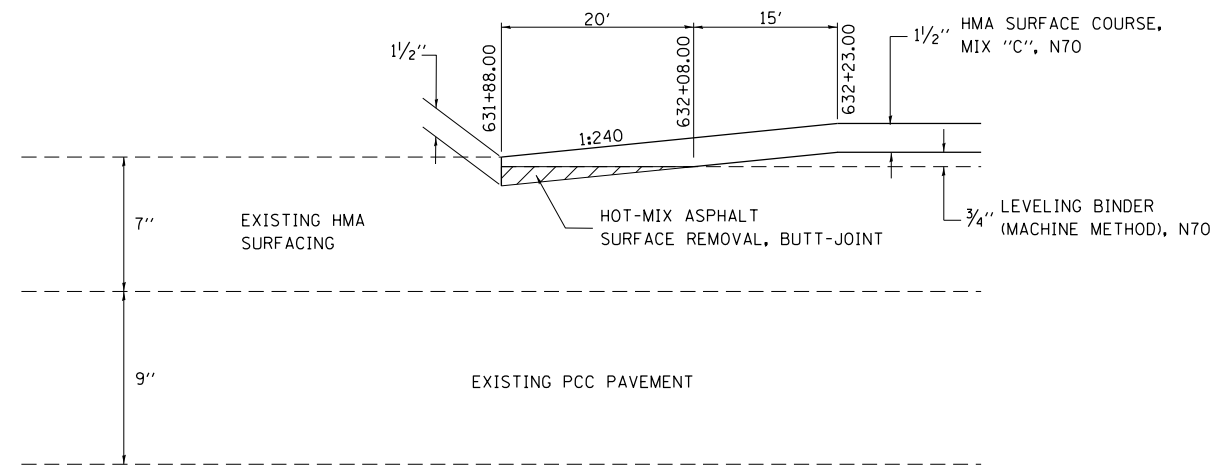
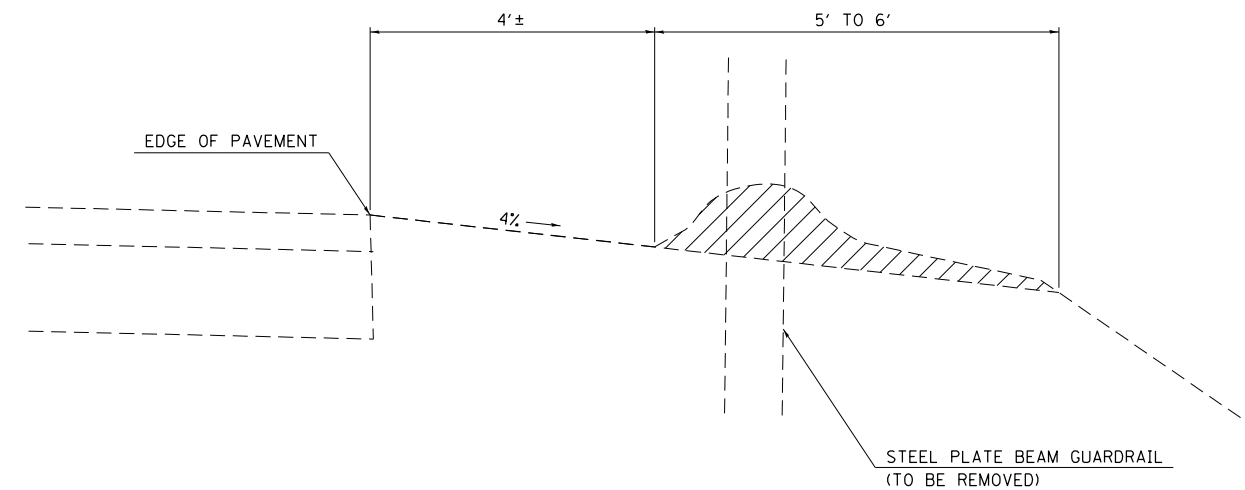


BUTT-JOINT DETAIL



GRADING AND SHAPING EXISTING SHOULDER

STA. 1235+00.00 TO STA. 1242+50.00 RT./LT.



FILE NAME =	USER NAME = steffenmk	DESIGNED -	REVISED -	STATE OF ILLINOIS DEPARTMENT OF TRANSPORTATION	BUTT-JOINT DETAIL GRADING AND SHAPING SHOULDER DETAIL	F.A.P. RTE.	SECTION	COUNTY	TOTAL SHEETS	SHEET NO.	
		DRAWN -	REVISED -			116	(126,127)RS-5	EDWARDS	51	46	
		CHECKED -	REVISED -			CONTRACT NO. 74247					
		DATE -	REVISED -			ILLINOIS FED. AID PROJECT					
				SCALE: NA		SHEET 1 OF 6 SHEETS		STA. TO STA.			