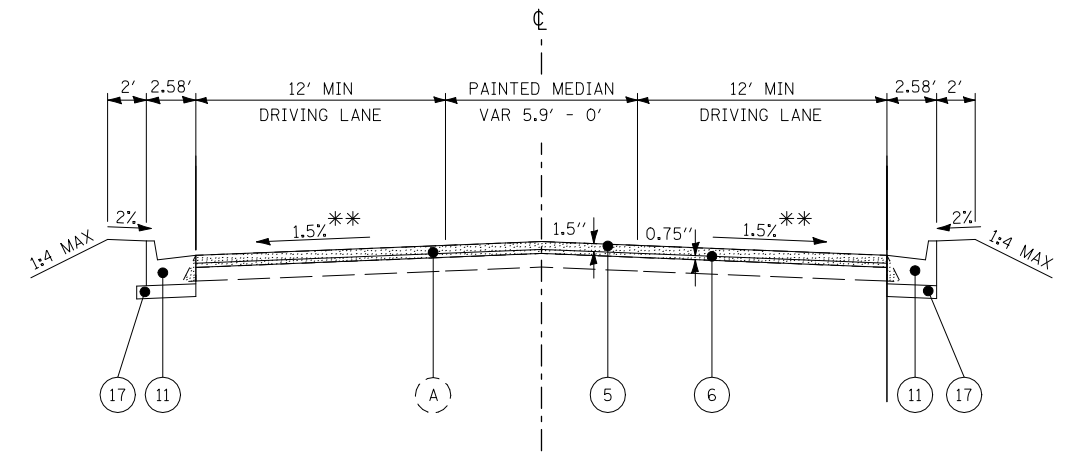


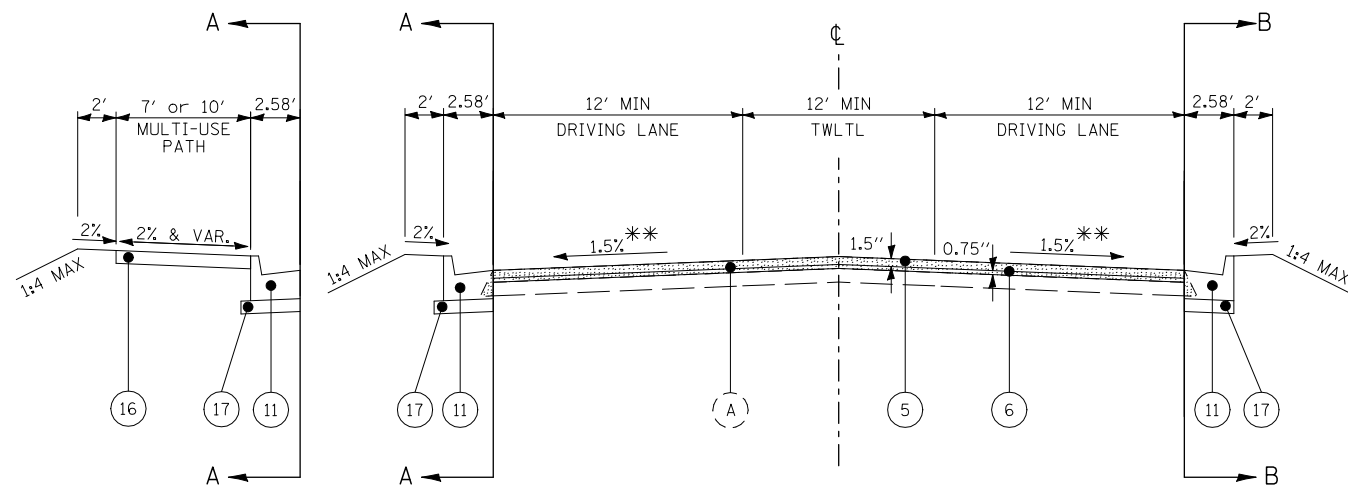
TYPICAL SECTION THROUGH SPLITTER ISLAND

IL 13 / IL 158 STA 21+43.63 TO STA 22+50.90



TYPICAL SECTION

IL 13 / IL 158 STA 22+87.50 TO STA 24+05.57

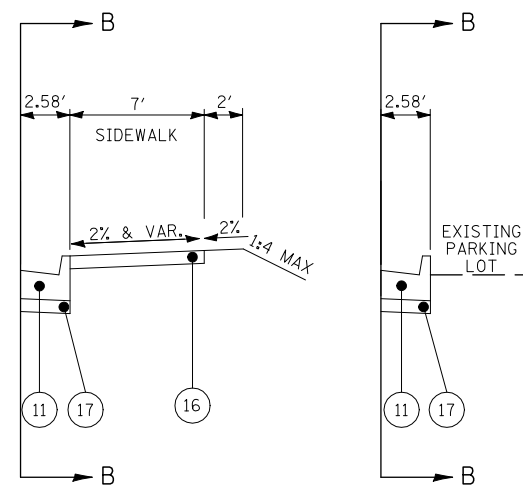


SECTION A-A

IL 158
STA 51+75.00 TO STA 53+00.00

TYPICAL SECTION BEFORE SPLITTER ISLAND

IL 158 STA 51+75.00 TO STA 53+00.00
IL 13 STA 41+61.10 TO STA 44+08.08

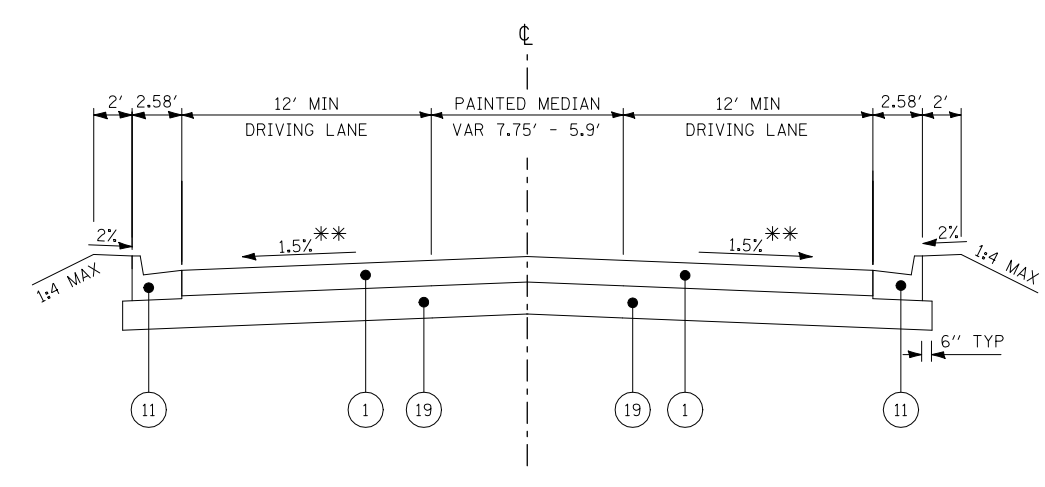


SECTION B-B

IL 13
STA 41+61.10 TO STA 41+96.19

SECTION B-B

IL 13
STA 41+96.19 TO STA 44+08.08



TYPICAL SECTION BEFORE SPLITTER ISLAND

IL 13 / 158 STA 22+50.90 TO STA 22+87.50

** SLOPE VARIES NEAR ROUNDABOUT - SEE INTERSECTION DETAILS
EXISTING MATERIALS

PROPOSED MATERIALS

- | | | | |
|--|---|--|---|
| (A) EXISTING HOT-MIX ASPHALT OVERLAY (± 4") | (1) PROPOSED PORTLAND CEMENT CONCRETE PAVEMENT, 9" | (9) PROPOSED COMBINATION CONCRETE CURB & GUTTER, TYPE B-6.12 | (17) PROPOSED SUB-BASE GRANULAR MATERIAL, TYPE B, 4" |
| (B) EXISTING HMA SURFACE & AGGREGATE BASE (DEPTH VARIES) | (2) PROPOSED PORTLAND CEMENT CONCRETE PAVEMENT, 19" | (10) PROPOSED COMBINATION CONCRETE CURB & GUTTER, TYPE B-6.12, SPECIAL | (18) PROPOSED SUB-BASE GRANULAR MATERIAL, TYPE B, 8" |
| | (3) PROPOSED PORTLAND CEMENT CONCRETE PAVEMENT, 9" (SPECIAL) | (11) PROPOSED COMBINATION CONCRETE CURB & GUTTER, TYPE B-6.24 | (19) PROPOSED SUB-BASE GRANULAR MATERIAL, TYPE B, 12" |
| | (4) PROPOSED PORTLAND CEMENT CONCRETE BASE COURSE, 9" | (12) PROPOSED COMBINATION CONCRETE CURB & GUTTER, TYPE B-6.24, SPECIAL | (20) PROPOSED CONCRETE BARRIER WALL (SPECIAL) |
| | (5) PROPOSED POLYMERIZED HOT-MIX ASPHALT SURFACE COURSE, MIX "D", N70 | (13) PROPOSED COMBINATION CONCRETE CURB & GUTTER, TYPE B-9.12, SPECIAL | |
| | (6) PROPOSED POLYMERIZED HOT-MIX BINDER COURSE, IL-19.0, N70 | (14) PROPOSED CONCRETE MEDIAN SURFACE, 4" | |
| | (7) PROPOSED COMBINATION CONCRETE CURB & GUTTER, TYPE M-2.12 | (15) PROPOSED CONCRETE BARRIER MEDIAN, TYPE SB-6 | |
| | (8) PROPOSED COMBINATION CONCRETE CURB & GUTTER, TYPE M-2.12, SPECIAL | (16) PROPOSED PORTLAND CEMENT CONCRETE SIDEWALK, 4" | |

FILE NAME =	USER NAME = beriechmann	DESIGNED -	REVISED -
\\0906600\0906603\cad\plans\004-D876006-Sht-Typical.dgn		DRAWN -	REVISED -
PLOT SCALE = 10.0000' / IN.		CHECKED -	REVISED -
PLOT DATE = 3/20/2012		DATE -	REVISED -

STATE OF ILLINOIS
DEPARTMENT OF TRANSPORTATION

HORNER &
SHIRIN, INC.
ENGINEERS

TYPICAL SECTIONS

SCALE: NONE SHEET NO. 2 OF 7 SHEETS STA. TO STA.

F.A.P. RTE 809 / F.A.U. RTE 9251 / F.A.U. RTE 9269

F.A. RTE.	SECTION	COUNTY	TOTAL SHEETS	SHEET NO.
(1)	135-N	ST. CLAIR	206	18
CONTRACT NO. 76D06			ILLINOIS FED. AID PROJECT	