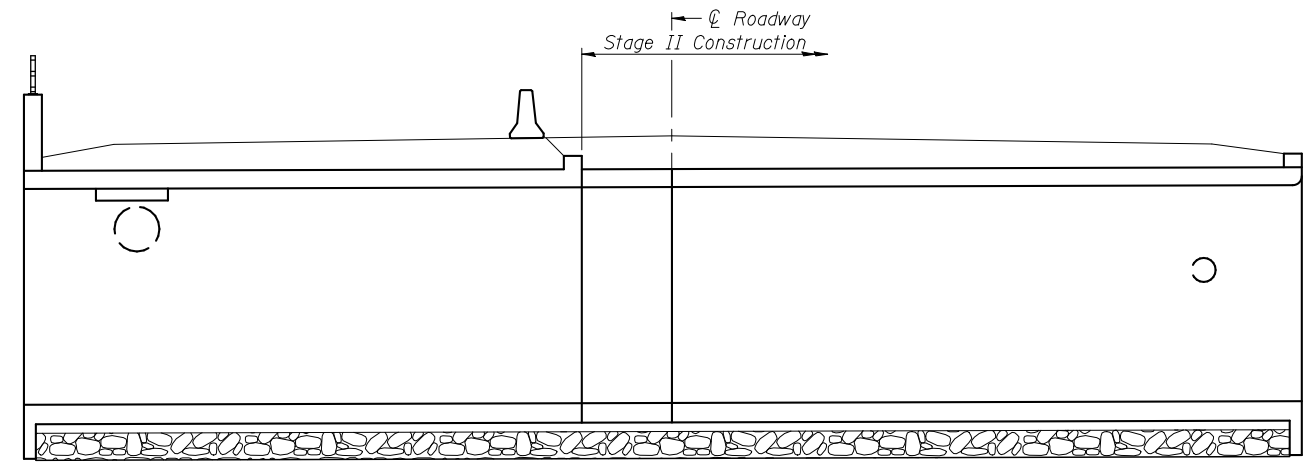
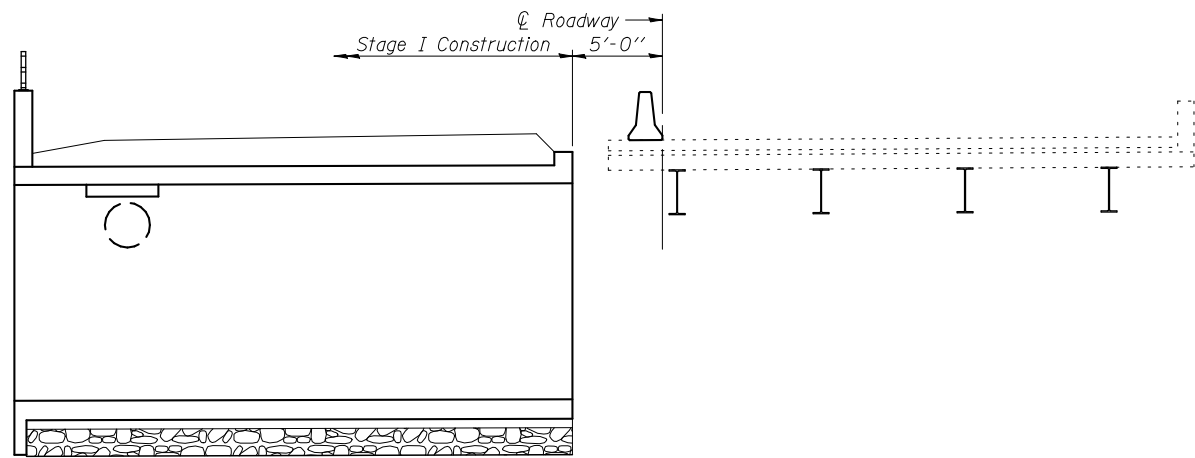


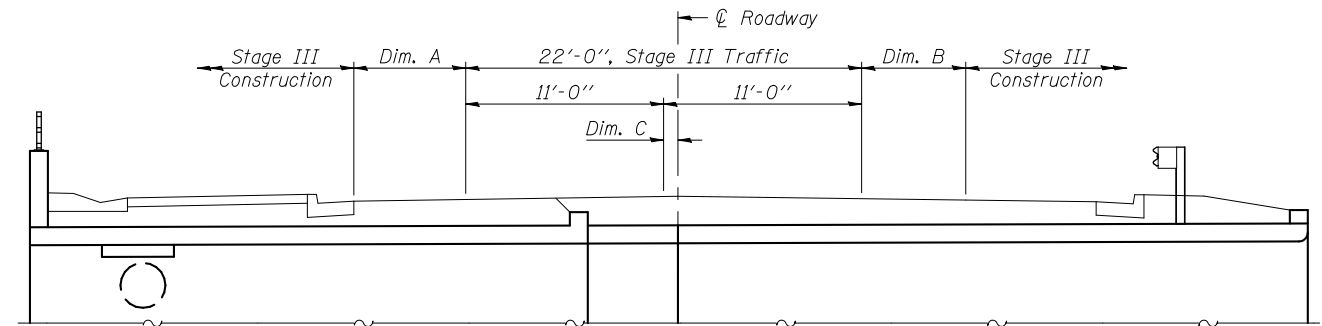
STAGE I REMOVAL



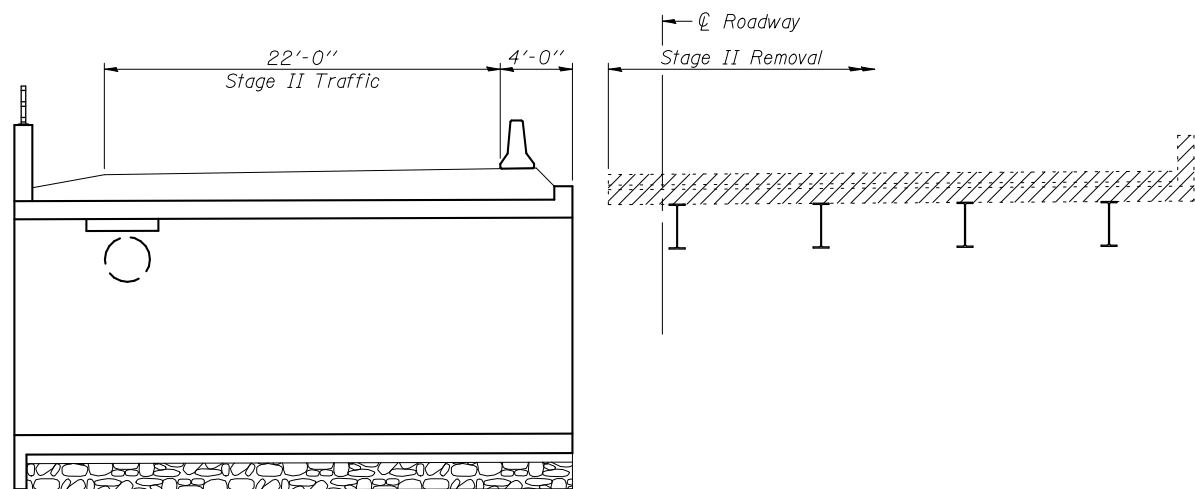
STAGE II CONSTRUCTION



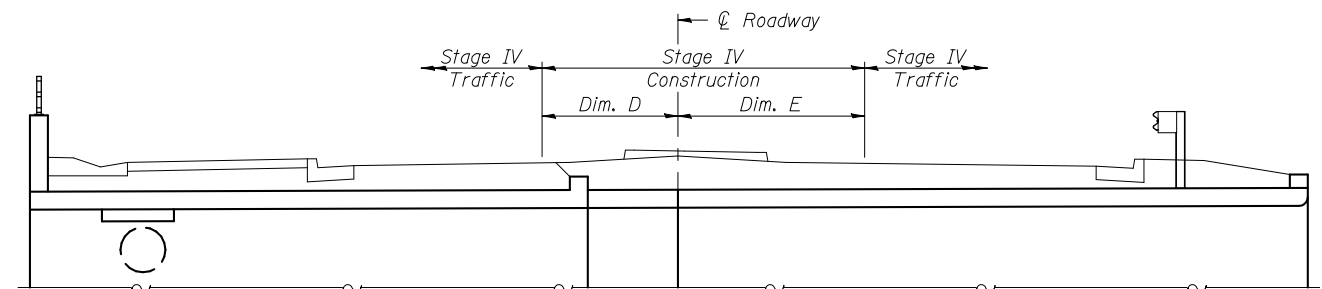
STAGE I CONSTRUCTION



STAGE III CONSTRUCTION



STAGE II REMOVAL



STAGE IV CONSTRUCTION

Notes:

For Temporary Concrete Barrier Details, see sheet 8 of 20.
 For Temporary Support System Details, see sheet 3 of 20.
 All Staging cross sections are looking South.
 Hatched area indicates Removal of Existing Structures.
 For quantity of Temporary Concrete Barrier, see roadway plans.
 Culvert Stages III and IV coincide with South Roundabout
 Stages B1 and B3, respectively, see roadway plans.

TABLE OF VARIABLE DIMENSIONS

	Maximum	Minimum
Dim. A	6'-4"	6'-2"
Dim. B	5'-10 1/2"	5'-7 1/2"
Dim. C	9 1/2"	8 5/8"
Dim. D	7'-6 1/2"	7'-1 1/2"
Dim. E	10'-4 1/2"	7'-3 3/8"