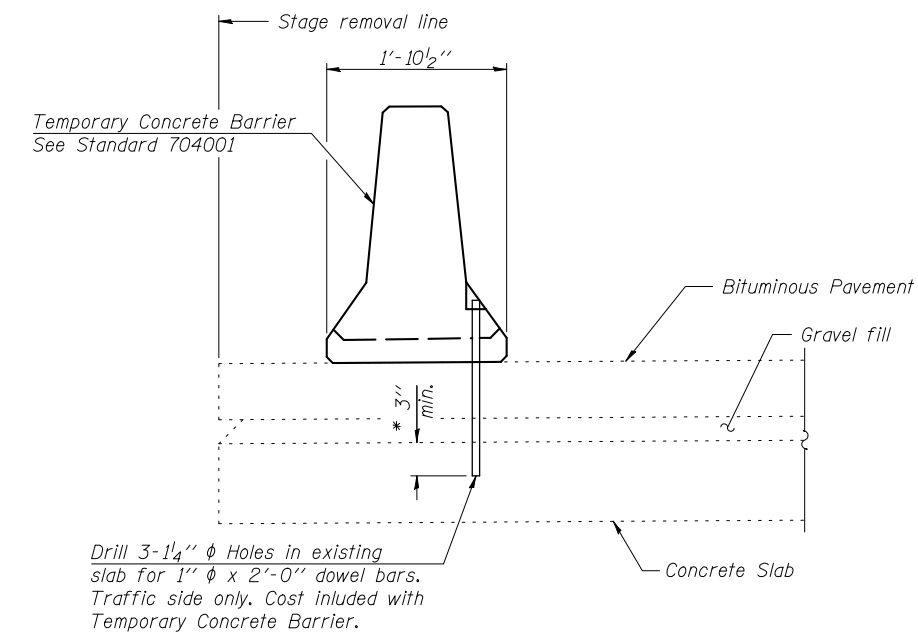


SECTION THRU NEW CULVERT

Attach each Temporary Concrete Barrier to the pavement over the top of the culvert with six anchoring pins. Remaining holes shall be repaired as directed by the Engineer. See Standard 704001.



SECTION THRU EXISTING SLAB

Notes:
 Cost of anchoring pins and dowel bars is included with Temporary Concrete Barrier.
 * Dimension shown is minimum required embedment into concrete.

FILE NAME = H:\0906600\0906603\Cad\SV\Plans\0822045-76D06.dgn	DESIGNED - K.A. Klues	REVISED -
USER NAME = kaklues	CHECKED - E.M. Lagemann	REVISED -
PLOT SCALE =	DRAWN - I. Krinitskiy	REVISED -
PLOT DATE = 5/1/2012	CHECKED - K.A. Klues	REVISED -

DESIGNED - K.A. Klues	REVISED -
CHECKED - E.M. Lagemann	REVISED -
DRAWN - I. Krinitskiy	REVISED -
CHECKED - K.A. Klues	REVISED -

**STATE OF ILLINOIS
 DEPARTMENT OF TRANSPORTATION**

**TEMPORARY CONCRETE BARRIER
 STRUCTURE NO. 082-2045**

SHEET NO. 8 OF 20 SHEETS

F.A.P. RTE.	SECTION	COUNTY	TOTAL SHEETS	SHEET NO.
809	135-N	ST. CLAIR	206	151
ILLINOIS FED. AID PROJECT			CONTRACT NO. 76D06	