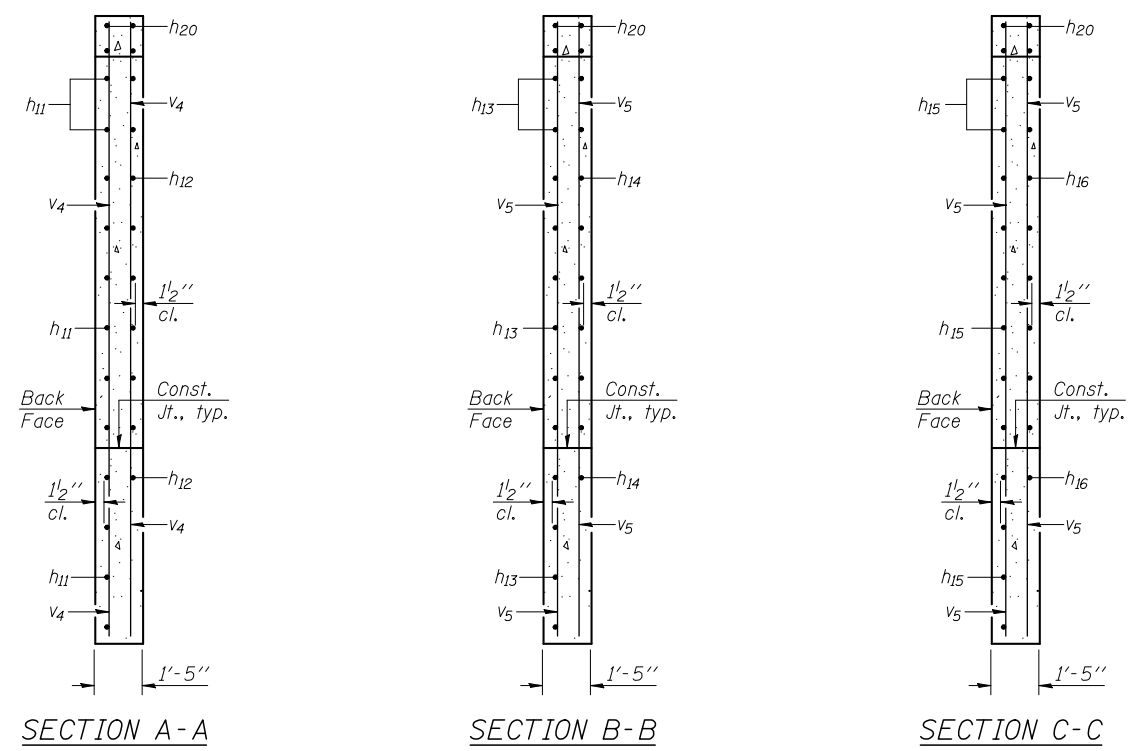
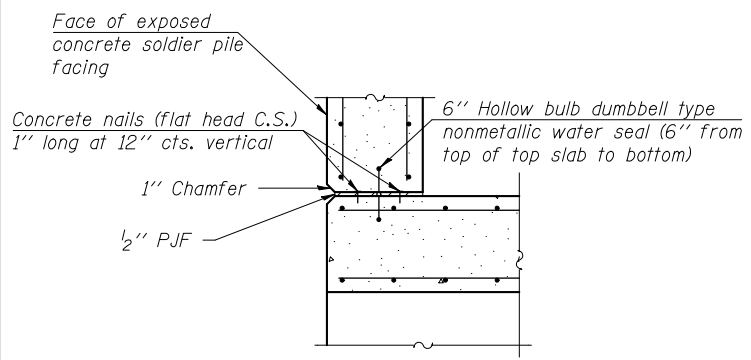


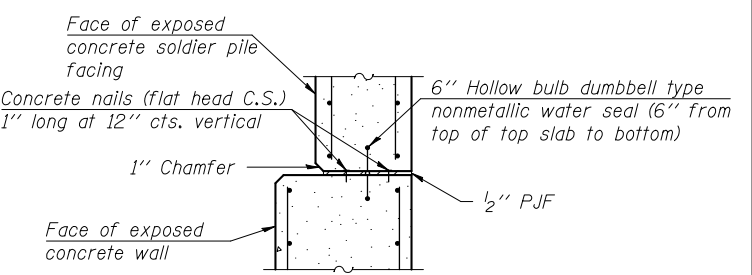
SOLDIER PILE AND DEADMAN LAYOUT



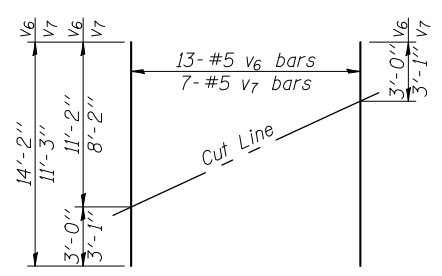
SECTION A-A SECTION B-B SECTION C-C



WATERSTOP DETAIL AT S.E. WING

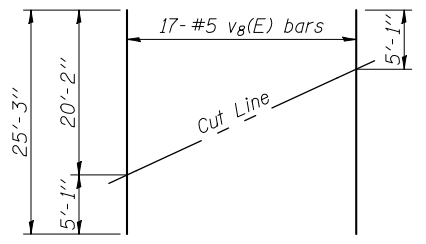


TYPICAL WATERSTOP DETAIL AT WINGWALLS



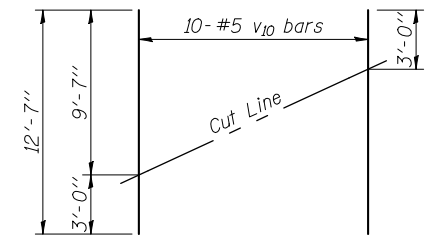
FIELD CUTTING DIAGRAM

Order v₆ & v₇ bars full length. Cut as shown and use remainder of bars in opposite face.



FIELD CUTTING DIAGRAM

Order v₈(E) bars full length. Cut as shown and use remainder of bars in opposite face.



FIELD CUTTING DIAGRAM

Order v₁₀ bars full length. Cut as shown and use remainder of bars in opposite face.