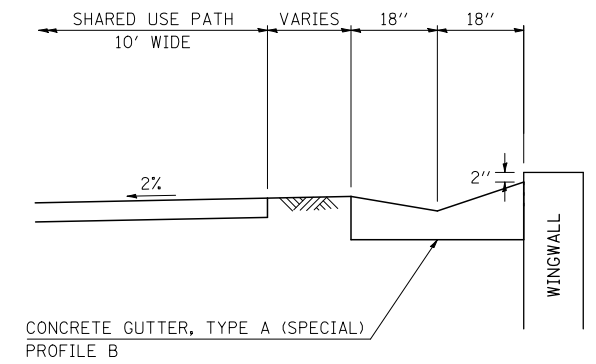
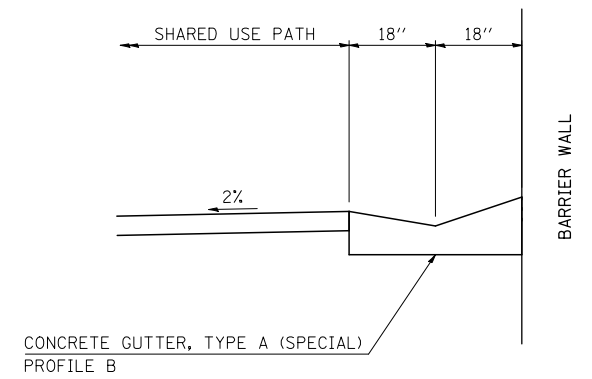
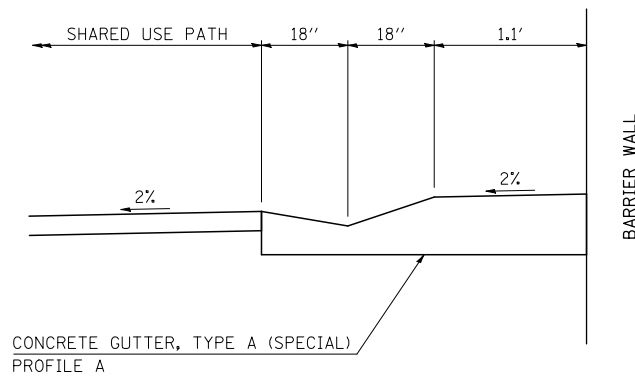
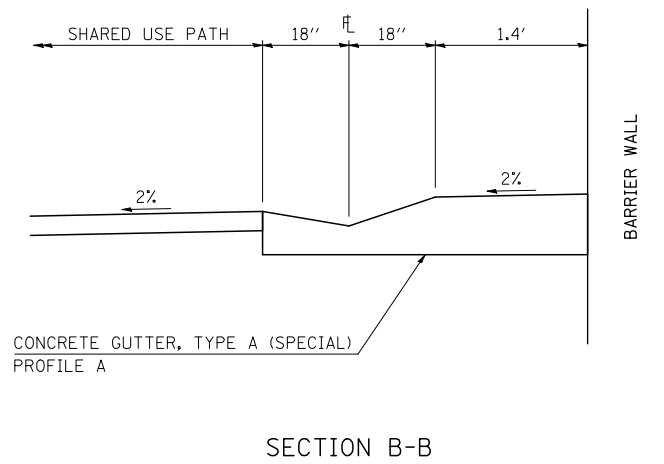
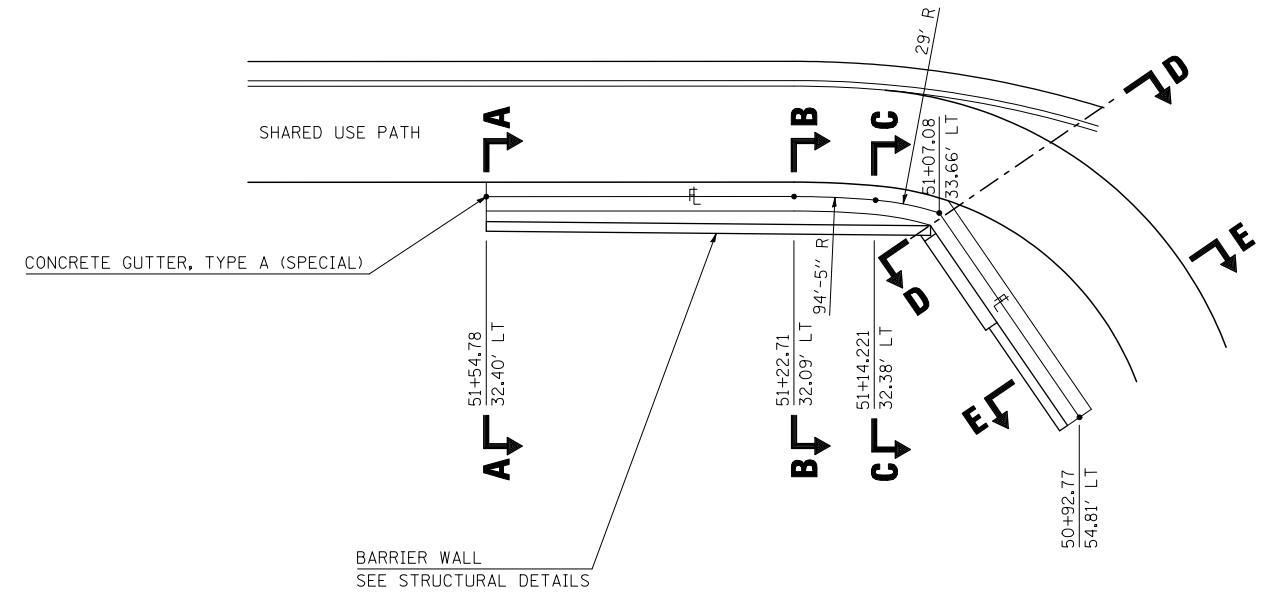
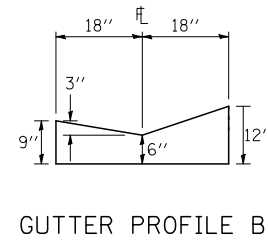
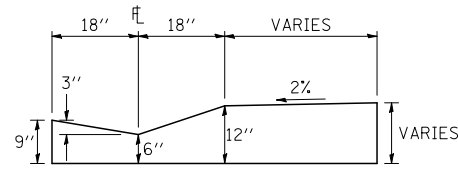
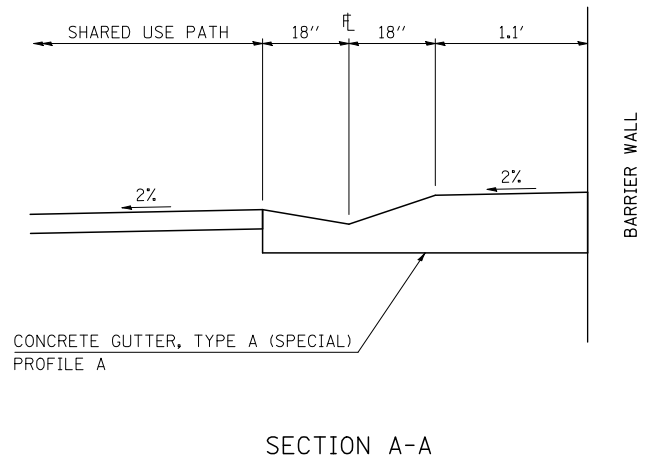


IL ROUTE 158



CONCRETE GUTTER, TYPE A (SPECIAL)
DOWNSTREAM SIDE OF SN 082-2045

LAST SAVED = 2/20/2012
PEN TABLE = V:\H\141414
PLOT DRIVER = TR-18pdf-Block-Half.plt

FILE NAME =	USER NAME = beriechmann	DESIGNED -	REVISED -
1:\0906600\0906603\cad\t\plans\100-D876006-Sht-Details.dgn		DRAWN -	REVISED -
	PLOT SCALE = 40.0000' / IN.	CHECKED -	REVISED -
	PLOT DATE = 3/20/2012 4:13:05 PM	DATE -	REVISED -

STATE OF ILLINOIS
DEPARTMENT OF TRANSPORTATION

HORNER &
SHIRIN, INC.
ENGINEERS

DETAILS

SCALE: NONE SHEET NO. 3 OF 3 SHEETS STA. TO STA.

① F.A.P. RTE 809 / F.A.U. RTE 9251 / F.A.U. RTE 9269

F.A. RTE.	SECTION	COUNTY	TOTAL SHEETS	SHEET NO.
①	135-N	ST. CLAIR	206	166
CONTRACT NO. 76D06				
ILLINOIS FED. AID PROJECT				