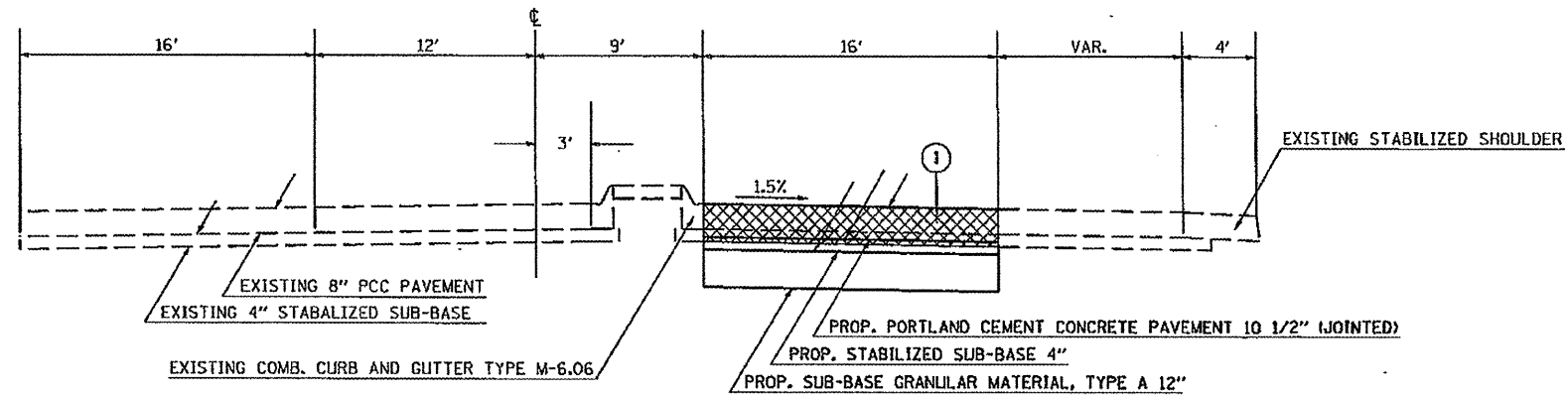
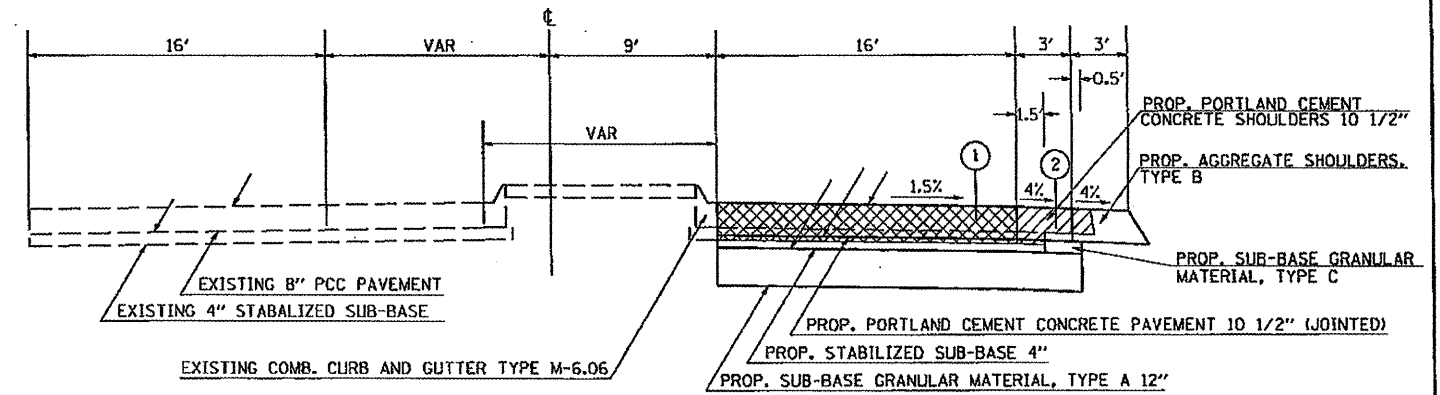


TYPICAL SECTIONS

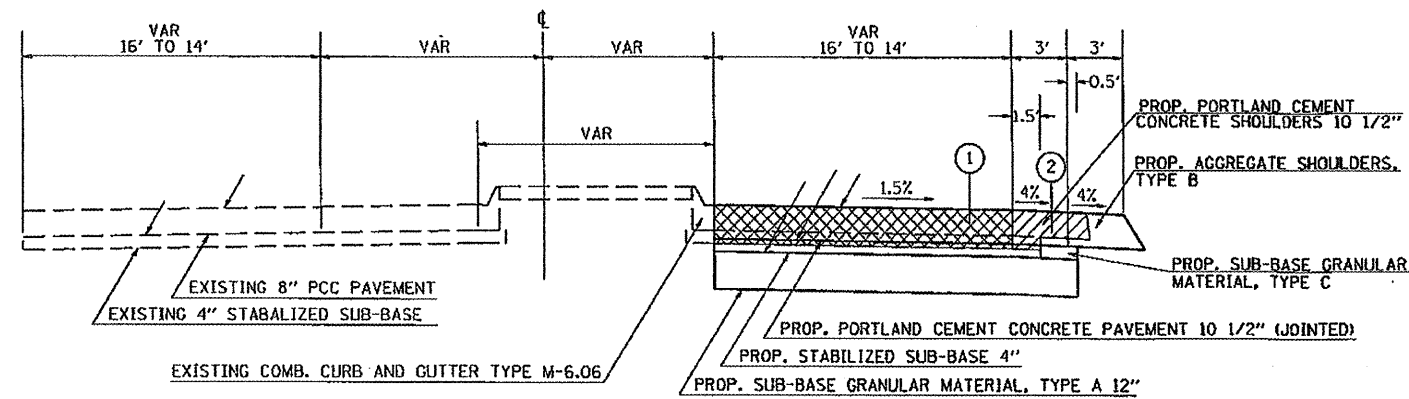


TO BE USED:
STA 1819+32.35 TO STA 1822+38.63

- ① - PROP. PAVEMENT REMOVAL
- ② - PROP. PAVED SHOULDER REMOVAL



TO BE USED:
STA 1820+67.89 TO STA 1825+00



TO BE USED:
STA 1825+00 TO STA 1830+10.98

FILE NAME =	USER NAME = greenleesm	DESIGNED -	REVISED -
c:\pwork\p10dot\greenleesm\d93888187	299-ah1-plan.dgn	DRAWN -	REVISED -
	PLOT SCALE = 1/8" = 1' in.	CHECKED -	REVISED -
	PLOT DATE = 3/23/2012	DATE -	REVISED -

**STATE OF ILLINOIS
DEPARTMENT OF TRANSPORTATION**

TYPICAL SECTIONS

SCALE: SHEET OF SHEETS STA. TO STA.

F.A.P. RTE.	SECTION	COUNTY	TOTAL SHEETS	SHEET NO.
331	D9 CM PAVEMENT REPAIR 2013-1	GALLATIN	7	5
				CONTRACT NO. 78299
ILLINOIS FED. AID PROJECT				