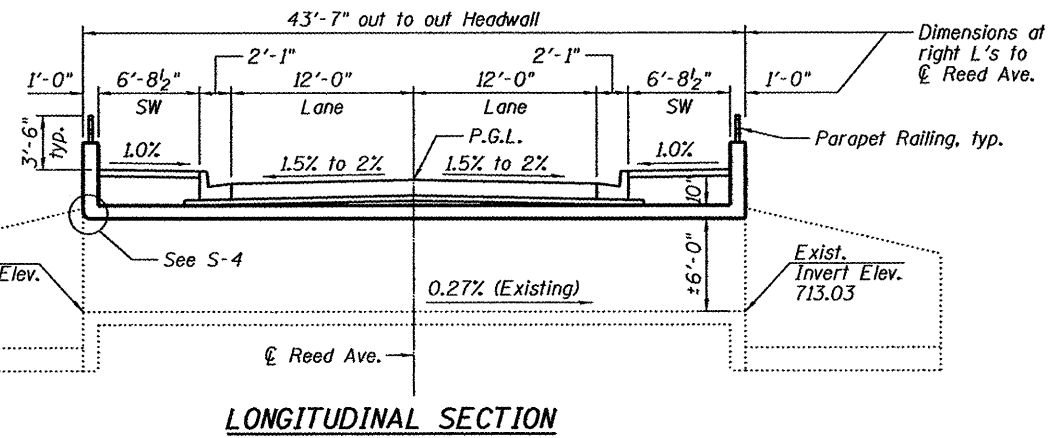


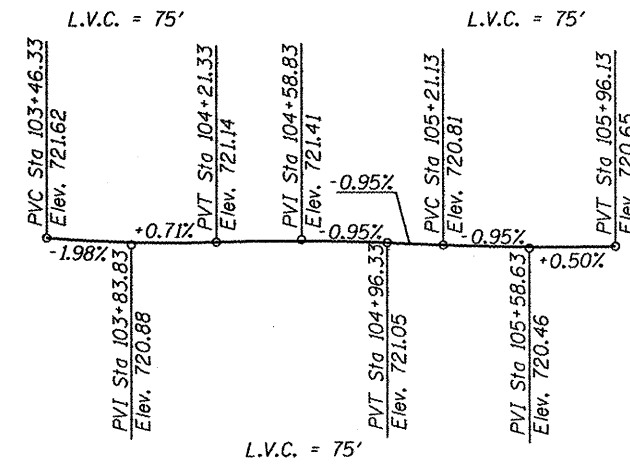
**Benchmark:**  
 Railroad spike in west face of the power pole located at the northeast corner of the Reed Avenue culvert over the Southeast Drainageway.  
 Elevation=722.44 NAVD88

**Existing SN: 101-6083**  
 The existing structure built in 1967 consists of a three cell 10'x6' reinforced concrete box culvert with an out to out headwall width of 44'-8 3/4" and a total length of 33'-7 1/4" along the centerline of the roadway. The structure has a 12° 57' ahead left skew. Top of slab to be removed and replaced. The existing sidewalls, divider walls, bottom slab and wingwalls are to remain. The work will be done under a temporary closure of Reed Ave.

**Salvage:** Existing side walls, divider walls, invert and wingwalls.



**LONGITUDINAL SECTION**



**PROFILE GRADE**

**REED AVENUE  
 RE-BUILT 20\_\_ BY  
 CITY OF ROCKFORD  
 SEC 09-00558-00-BR  
 STRUCTURE NO. 101-6083  
 LOADING HS20-44**

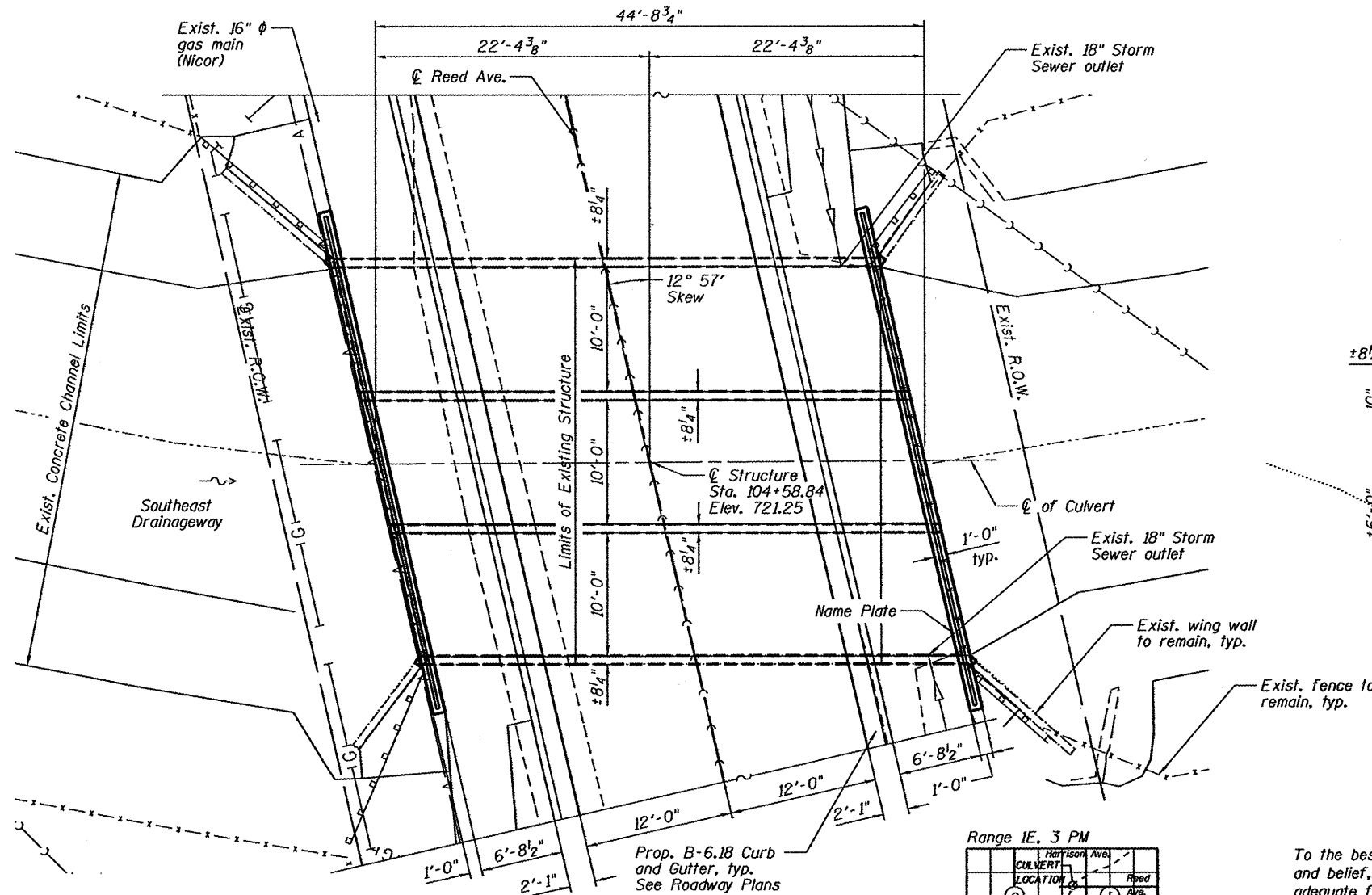
**NAME PLATE**  
 See Std. 515001

**LOADING HS20-44**  
 No future wearing surface allowed  
**DESIGN SPECIFICATIONS**  
 2002 AASHTO Standard Specifications

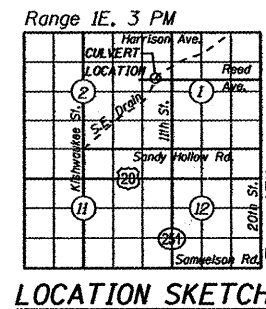
**DESIGN STRESSES**  
**FIELD UNITS**  
 f'c = 3,500 psi  
 fy = 60,000 psi (Reinforcement)

**SEISMIC DATA**  
 Seismic Performance Category (SPC) = A  
 Bedrock Acceleration Coefficient (A) = 4%g  
 Site Coefficient (S) = 1.0

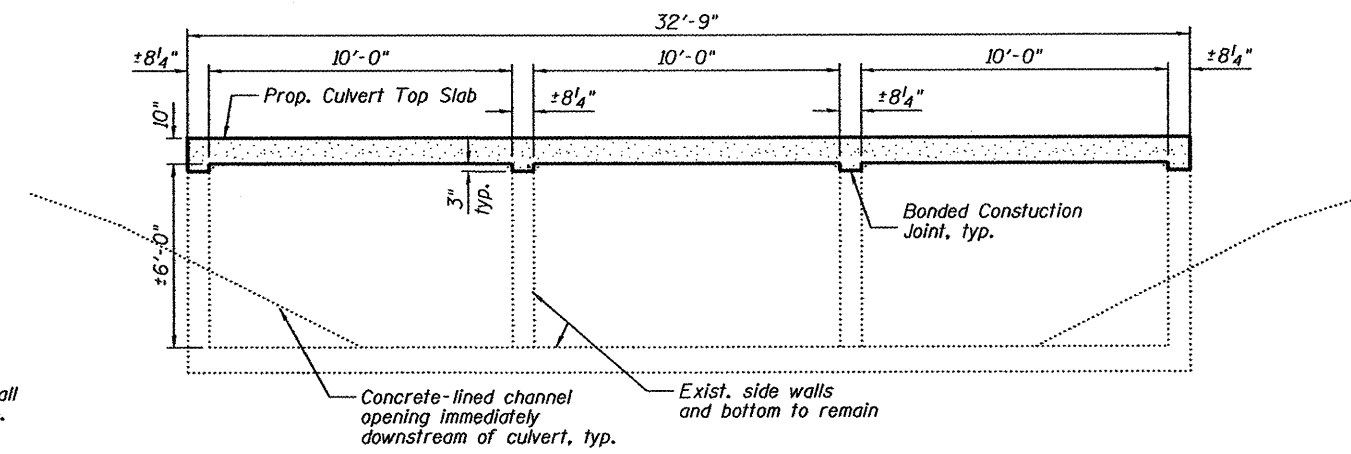
**INDEX OF SHEETS**  
 S-1 General Plan  
 S-2 General Notes and Total Bill of Materials  
 S-3 Culvert Top Slab Details  
 S-4 Culvert Details  
 S-5 Railing & Wall Repair Details



**PLAN**



**LOCATION SKETCH**

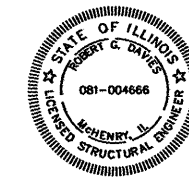


**SECTION THRU BARREL**

Dimensions at right L's to centerline of culvert.

To the best of my knowledge, information and belief, this bridge design is structurally adequate for the design loading shown on the plans. The design is an economical one for the style of structure and complies with requirements of the current "AASHTO Standard Specifications for Highway Bridges".

*Michael S. Green*  
 Structural Engineer Expires: 11/30/2012  
 HR Green



**GENERAL PLAN  
 REED AVE. OVER  
 SOUTHEAST DRAINAGE WAY  
 SEC. 09-00558-00-BR  
 M.S. 3634  
 WINNEBAGO COUNTY  
 S.N. 101-6083**

COUNTRY NAME: Kevin M. Artt  
 PROJECT CONTACT: City of Rockford  
 CLIENT: 3/23/2012 10:39:00 AM  
 DATE PLOTTED: 86100434-09a.dgn  
 FILE NAME: pdfplot  
 PLOT DRIVER: standard-trans.tbl  
 PEN TABLE:



USER NAME = whood	DESIGNED - KMA	REVISED -
PLOT SCALE =	CHECKED - RGD	REVISED -
PLOT DATE = 3/23/2012	DRAWN - WJH	REVISED -
	CHECKED - 3/26/12	REVISED -

**CITY OF ROCKFORD**

SHEET NO. S-1 OF S-5 SHEETS

M.S.	SECTION	COUNTY	TOTAL SHEETS	SHEET NO.
3634	09-00558-00-BR	WINNEBAGO	15	8
CONTRACT NO. 85562			ILLINOIS FED. AID PROJECT	