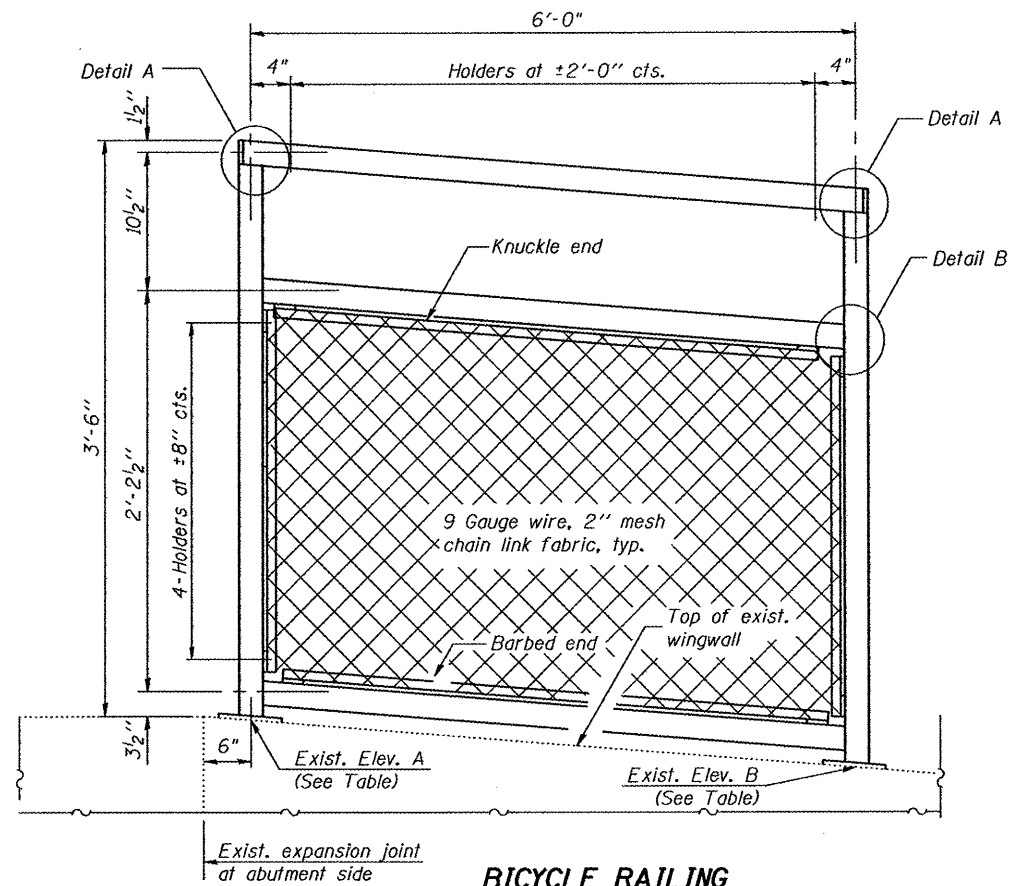


All steel rail elements shall be galvanized according to Article 509.05 of the Standard Specifications.



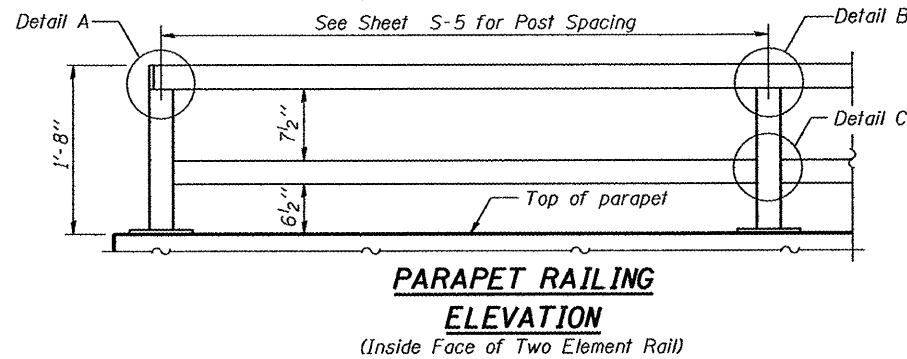
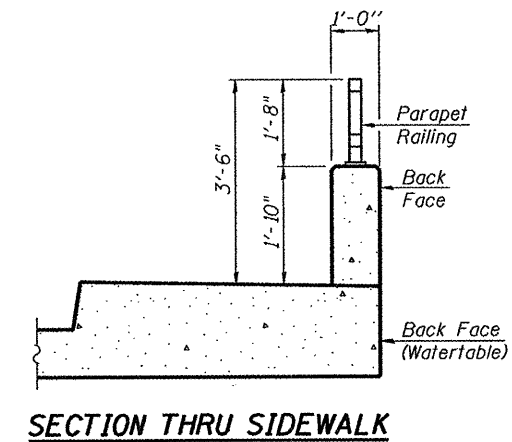
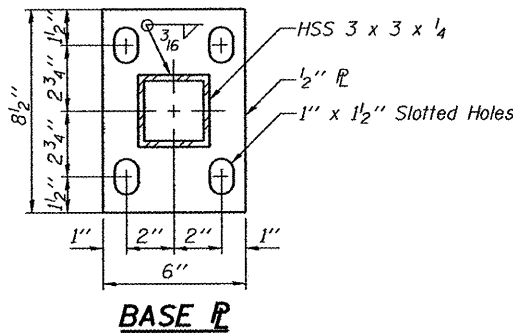
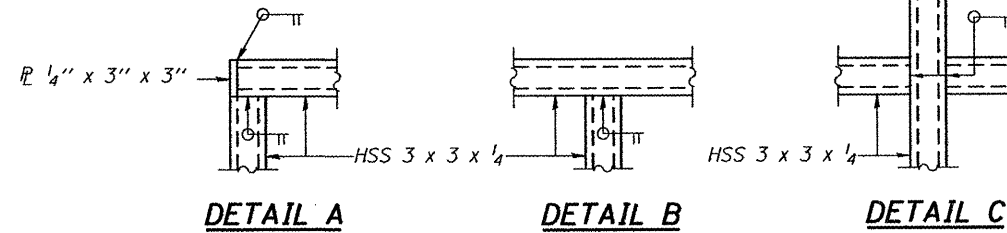
BICYCLE RAILING

Looking at channel side of exist. wingwall

WINGWALL ELEVATION TABLE

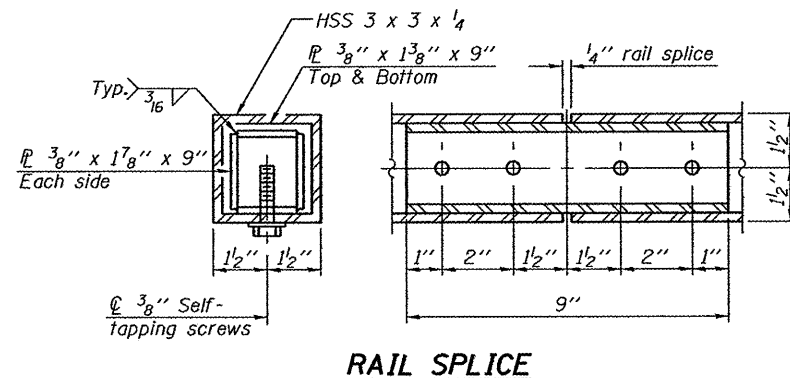
Wingwall Location	Elevation	
	A	B
NE Corner	733.80	733.40
SE Corner	733.57	732.87
NW Corner	733.75	732.91
SW Corner	733.74	733.37

Contractor to field verify elevations

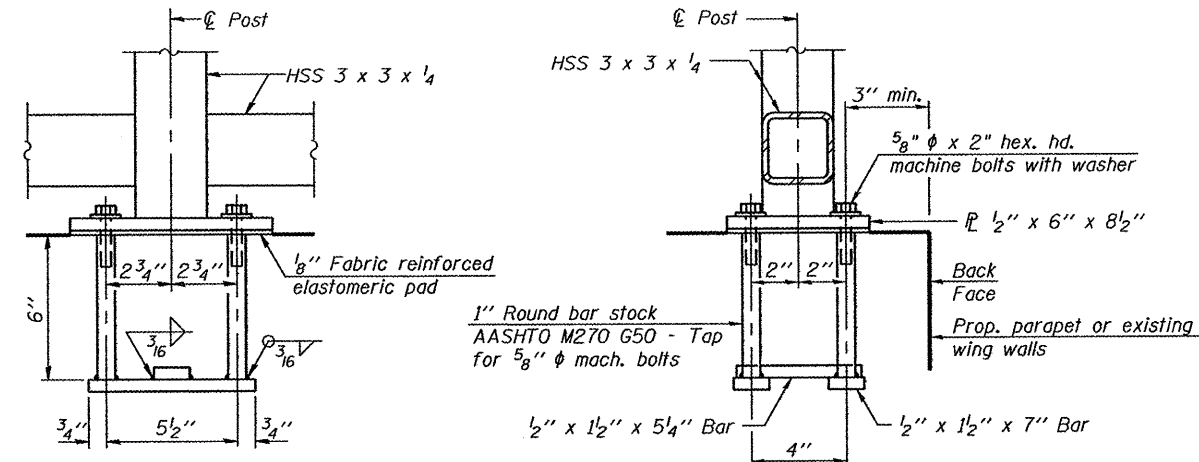


PARAPET RAILING ELEVATION

(Inside Face of Two Element Rail)



RAIL SPLICE



ANCHOR BOLT DETAILS

In lieu of the cast-in-place anchor device shown, the Contractor has the option of drilling and setting 5/8" φ anchor rods according to Article 509.06 of the Standard Specifications. Embedment shall be according to the manufacturer's specifications. Anchor rods shall be used for the Bicycle Railing installed on the existing wing walls.

BILL OF MATERIAL

Item	Unit	Quantity
Bicycle Railing	Foot	24
Parapet Railing	Foot	58

COMPANY NAME: HRGreen
 PROJECT CONTACT: Kevin M. Artt
 CLIENT: City of Rockford
 DATE PLOTTED: 3/23/2012 10:55:15 AM
 FILE NAME: 8610077-Rail.dgn
 PLOT DRIVER: pdfPlot
 PEN TABLE: standard-trans.tbl



USER NAME = whood	DESIGNED - KMA	REVISED -
	CHECKED - WJH	REVISED -
PLOT SCALE =	DRAWN - RGD	REVISED -
PLOT DATE = 3/23/2012	CHECKED - 3/26/12	REVISED -

CITY OF ROCKFORD

PIERCE AVENUE OVER NORTHWEST DRAINAGEWAY
 RAILING DETAILS

SHEET NO. S-6 OF S-8 SHEETS

F.A. RTE.	SECTION	COUNTY	TOTAL SHEETS	SHEET NO.
5033	11-00581-00-BR	WINNEBAGO	17	13
CONTRACT NO.				
ILLINOIS FED. AID PROJECT				