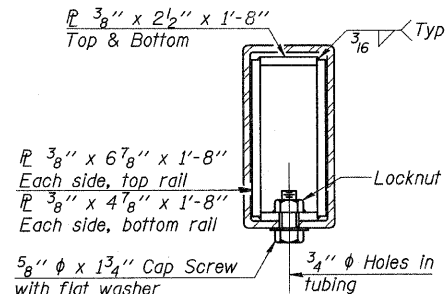
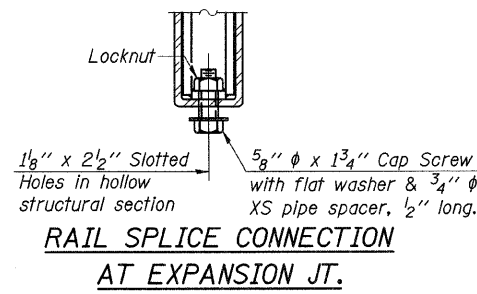
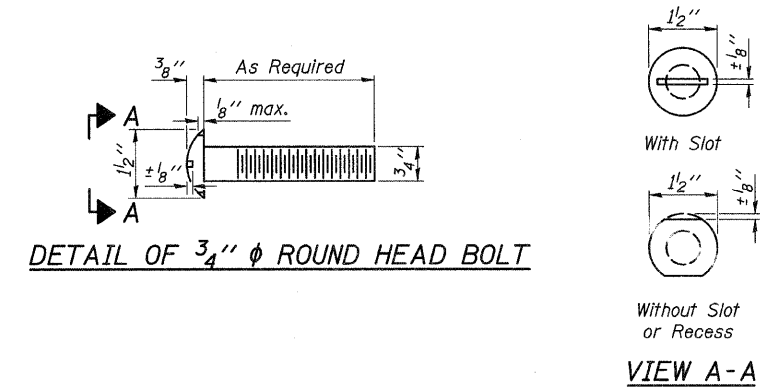


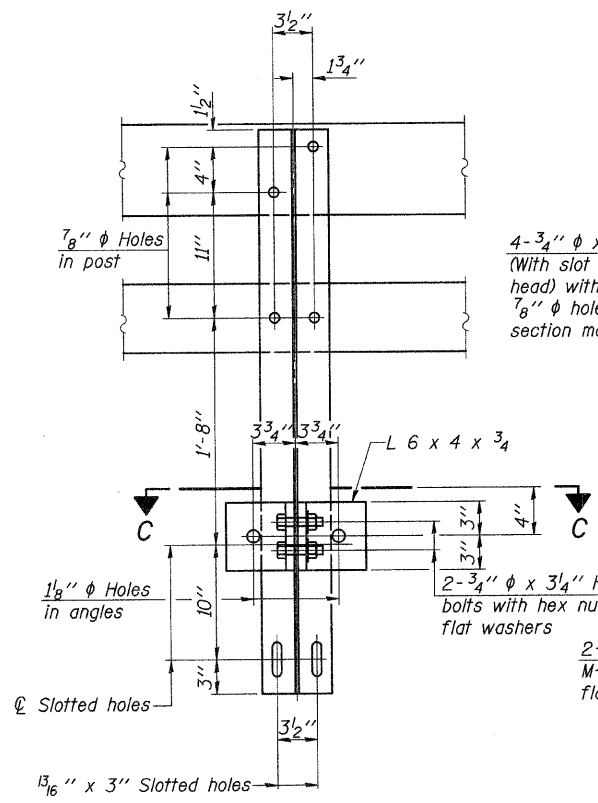
SECTION C-C



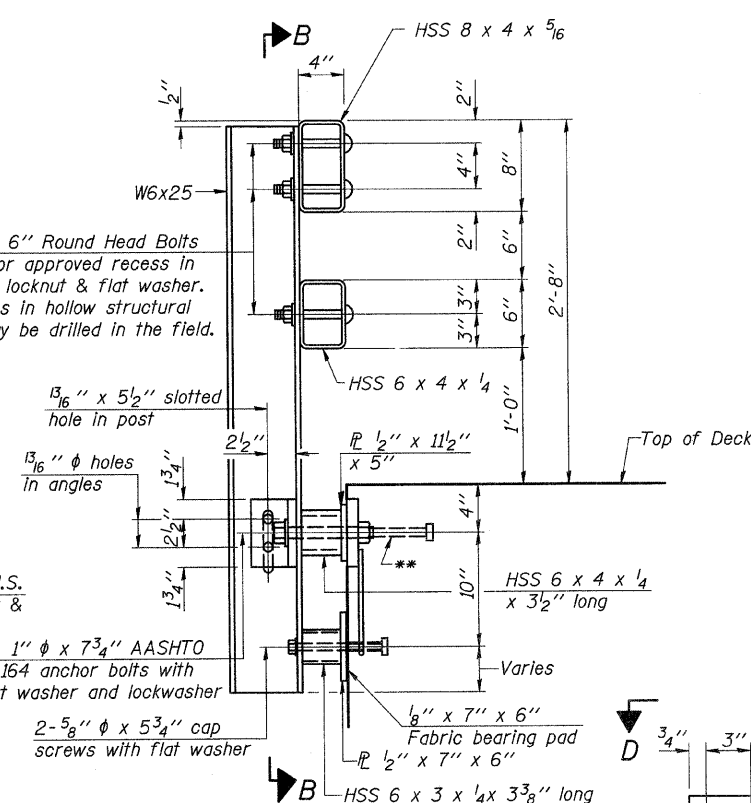
SECTION AT RAIL SPLICE



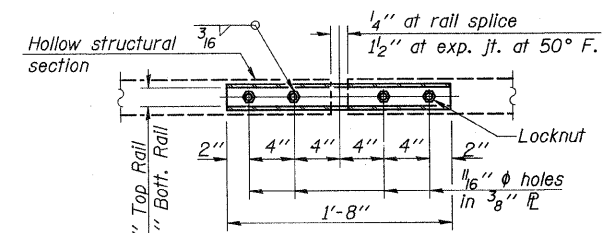
VIEW A-A



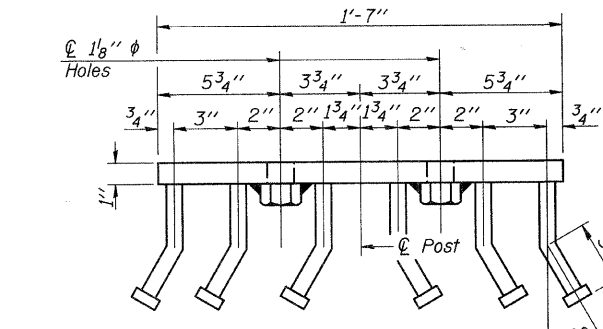
SECTION B-B



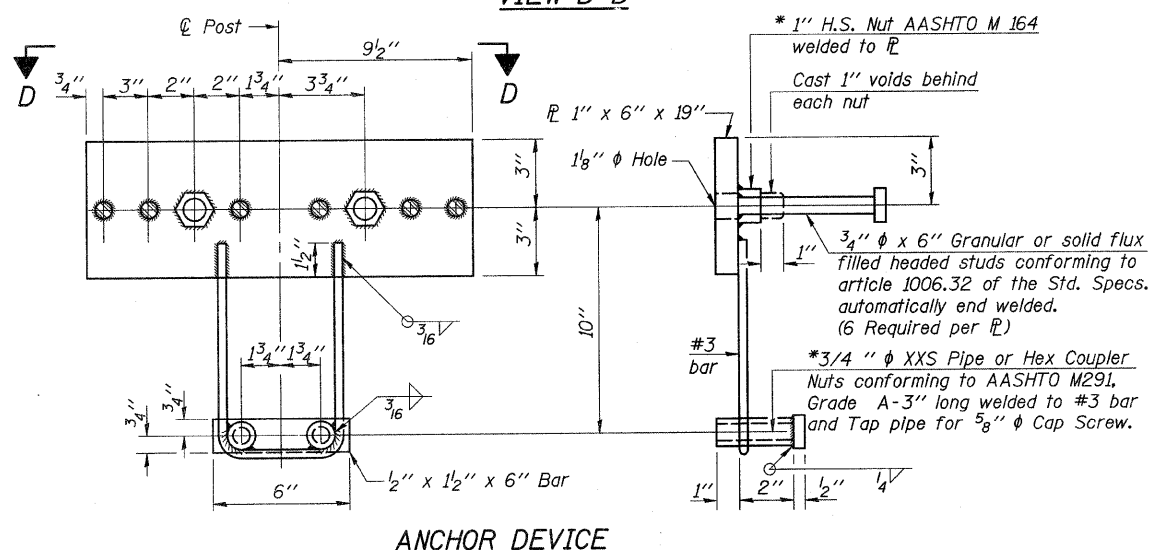
SECTION AT RAIL POST



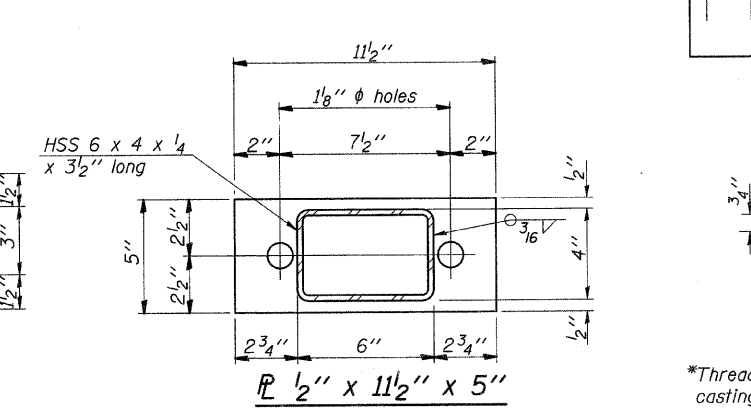
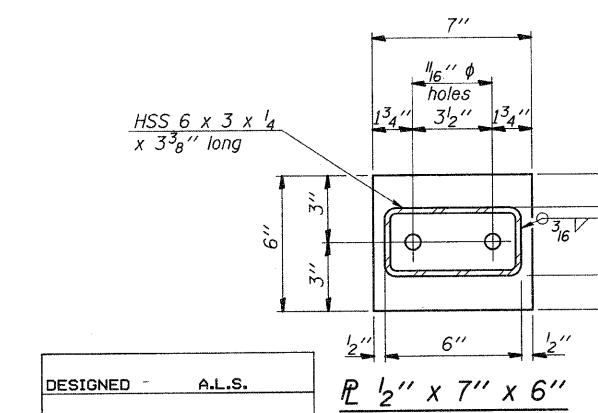
PLAN-BOTT. SPLICE TYPICAL



VIEW D-D



ANCHOR DEVICE



\*Threaded areas shall be plugged or blocked off during casting of deck. Galvanized after fabrication.

Notes:  
 All field drilled holes shall be coated with an approved zinc rich paint before erection.  
 For multi-span bridges, sufficient 1/4" x 6" x 1'-2" galvanized steel shims shall be provided to align rail between adjacent spans. Cost included with Steel Railing, Type SM.  
 All steel rail members shall be galvanized according to Article 509.05 of the Standard Specifications.  
 \*\*The studs of the anchor devices shall be placed below the top reinforcement bars and the outermost longitudinal reinforcement bar shall be placed directly above the studs of the rail post anchor device.

Note: See Sheet 2 of 21 for Post Spacing and Sheet 9 of 21 for End of Rail Details.

BILL OF MATERIAL

Item	Unit	Quantity
Steel Bridge Rail, Type SM (Special)	Foot	291

BRIDGE RAIL, TYPE SM (SPECIAL)  
 S.N. 038-4558

DESIGNED -	A.L.S.
CHECKED -	A.R.K.
DRAWN -	S.A.P.
CHECKED -	A.L.S. & A.R.K.

R-SM6A 2-19-09 (6'-3" Maximum Post Spacing)

**FEHR-GRAHAM & ASSOCIATES, LLC**  
 ENGINEERING AND SCIENCE CONSULTANTS  
 FREEPORT, IL ROCKFORD, IL ROCHELLE, IL MONROE, WI SPRINGFIELD, IL  
 4440 ASH GROVE SPRINGFIELD, IL 62711 (217)-793-8600 www.fehr-graham.com

TWP. RTE.	SECTION	COUNTY	TOTAL SHEETS	SHEET NO.
55B	07-16121-00-BR	IROQUOIS	33	12
MARTINTON ROAD DIST. ILLINOIS			CONTRACT NO. 87487	
			F.A. PROJ. BROS-075(145)	