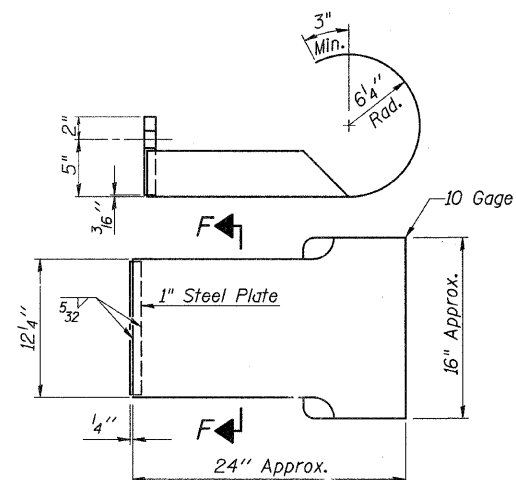
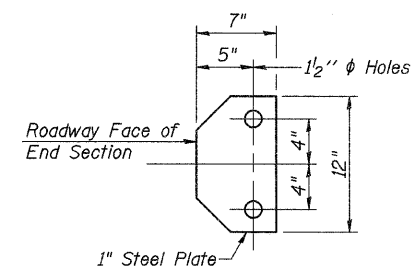


VIEW D-D



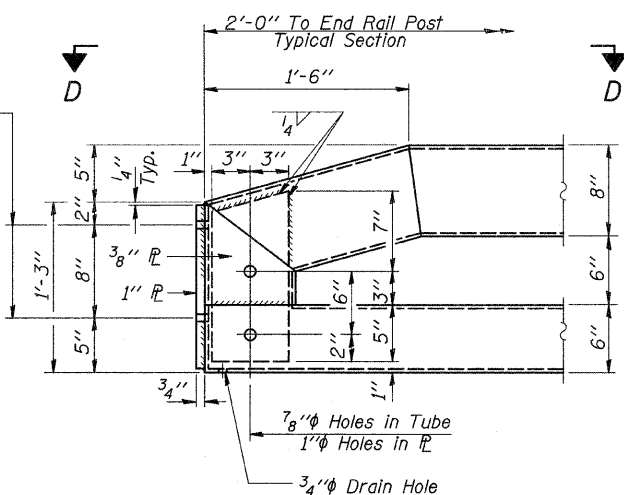
CURLED END SECTION DETAILS
(2 Required)

Cost included with Steel Bridge Rail,
Type SM (Special). (NW. & SE. Corners)



VIEW F-F

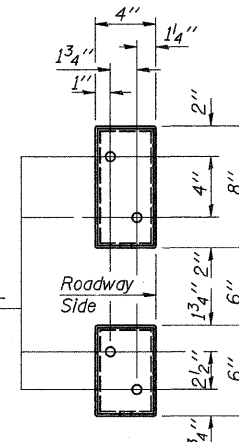
1/8" ϕ Holes for 1" ϕ x 4" Round Head Bolts.
Provide 2 flat washers & locknuts for curled end section connection.



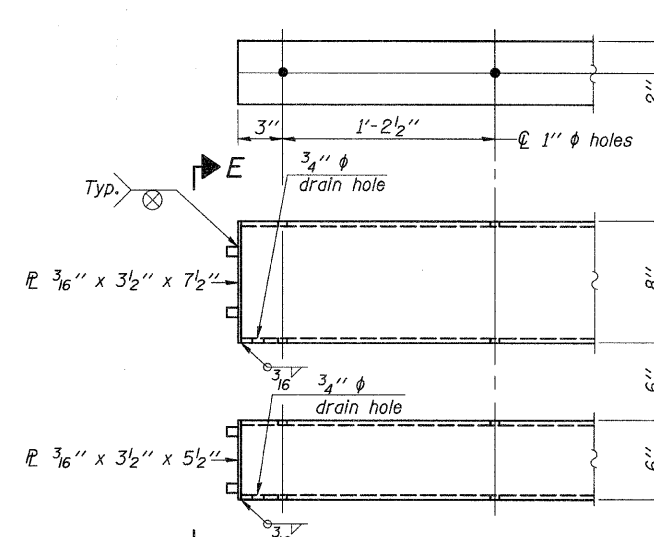
END OF RAIL DETAILS

DEPARTURE ENDS
(NW. & SE. Corners)

$\frac{5}{8}$ " reduced base welded studs. Provide 4 -
 $\frac{5}{8}$ " washers and self-locking nuts or nuts and
jam nuts for guardrail connection shown on
Std. 631032



VIEW E-E



END OF RAIL DETAILS

APPROACH ENDS
(SW. & NE. Corners)

Work this sheet with 8 of 21.

STEEL BRIDGE RAIL, TYPE SM (SPECIAL)
S.N. 038-4558

DESIGNED -	A.L.S.
CHECKED -	A.R.K.
DRAWN -	S.A.P.
CHECKED -	A.L.S. & A.R.K.

<p>FEHR-GRAHAM & ASSOCIATES, LLC ENGINEERING AND SCIENCE CONSULTANTS FREEPORT, IL ROCKFORD, IL ROCHELLE, IL MONROE, WI SPRINGFIELD, IL</p>	TWP. RTE.	SECTION	COUNTY	TOTAL SHEETS	SHEET NO.
	55B	07-16121-00-BR	IROQUOIS	33	13
4440 ASH GROVE SPRINGFIELD, IL 62711 (217)-793-8600 www.fehr-graham.com			MARTINTON ROAD DIST. ILLINOIS	CONTRACT NO. 87487 F.A. PROJ. BROS-075(145)	