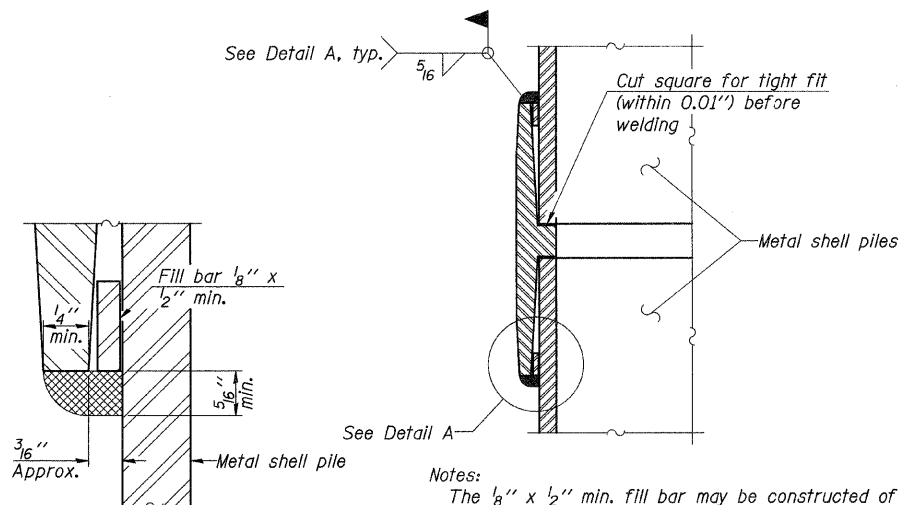


**METAL SHELL PILE TABLE**

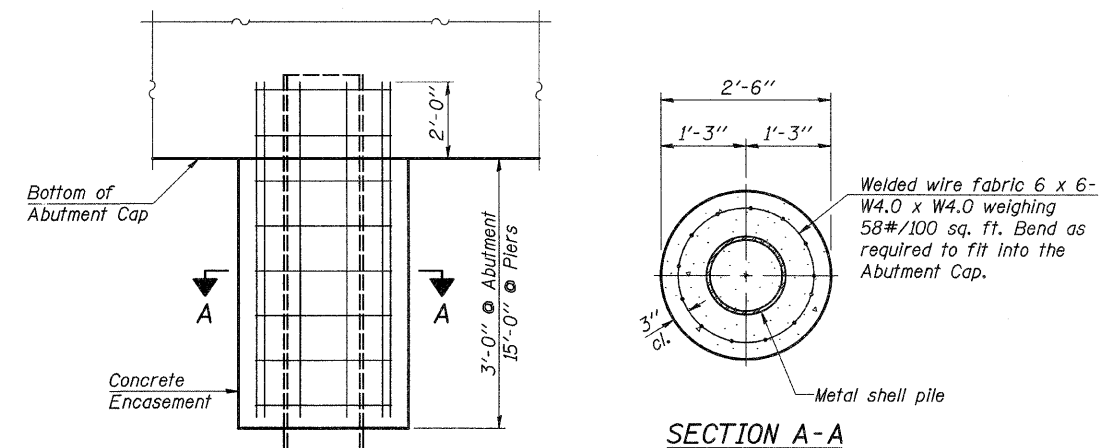
Designation and outside diameter	Wall thickness t	Weight per foot (Lbs./ft.)	Inside volume (yd. <sup>3</sup> /ft.)
PP12	0.179"	22.60	0.0274
PP12	0.250"	31.37	0.0267
PP14	0.250"	36.71	0.0368
PP14	0.312"	45.61	0.0361



**DETAIL A**

**Notes:**  
 The 1/8" x 1/2" min. fill bar may be constructed of 2 bars with a 1/8" max. gap between them.  
 Pile segments shall be driven to solid contact with splicer before welding.

**WELDED COMMERCIAL SPLICE**

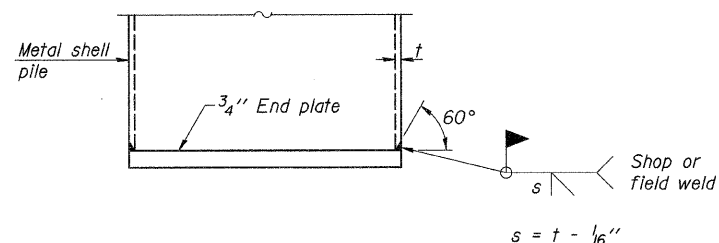


**ELEVATION**

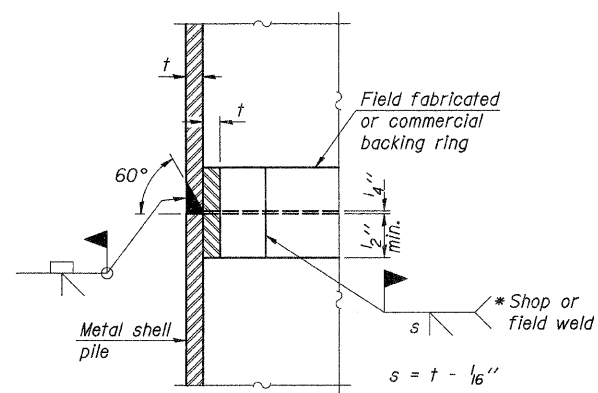
**SECTION A-A**

**Note:**  
 Forms for encasement may be omitted when soil conditions permit at Abutments.

**CONCRETE ENCASEMENT DETAILS**



**END PLATE ATTACHMENT**



**COMPLETE PENETRATION WELD SPLICE**

\* Field fabricated backing ring may be made from pile shell by removing segment to allow reducing circumference and vertically rejoin with partial joint penetration weld.

**Note:**  
 The metal shell piles shall be according to ASTM A 252 Grade 3.

**METAL SHELL PILE DETAILS**  
**S.N. 038-4558**

DESIGNED -	A.L.S.
CHECKED -	A.R.K.
DRAWN -	S.A.P.
CHECKED -	A.L.S. & A.R.K.

F-MS 02-05-09

<b>FEHR-GRAHAM &amp; ASSOCIATES, LLC</b> ENGINEERING AND SCIENCE CONSULTANTS FREEPORT, IL ROCKFORD, IL ROCHELLE, IL MONROE, WI SPRINGFIELD, IL 4440 ASH GROVE SPRINGFIELD, IL 62711 (217)-793-8600 www.fehr-graham.com	TWP. RTE.	SECTION	COUNTY	TOTAL SHEETS	SHEET NO.
	55B	07-16121-00-BR	IROQUOIS	33	21
MARTINTON ROAD DIST. ILLINOIS			CONTRACT NO. 87487		
			F.A. PROJ. BROS-075(145)		