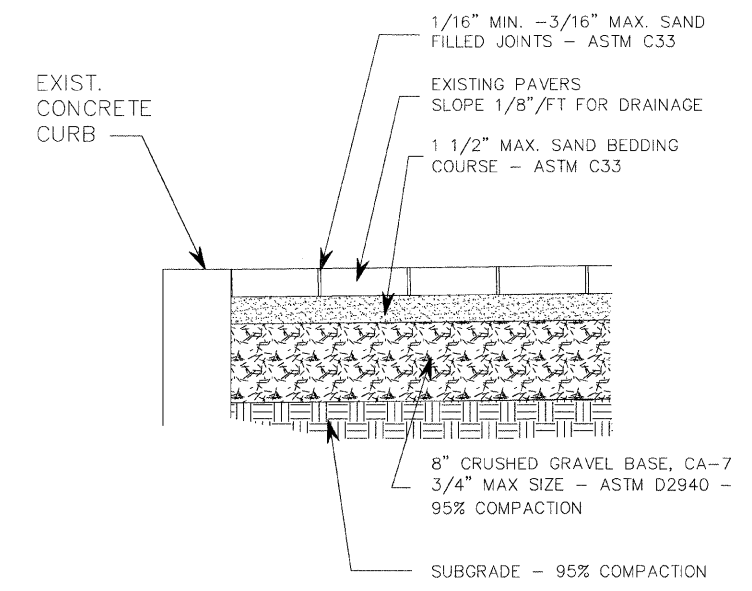
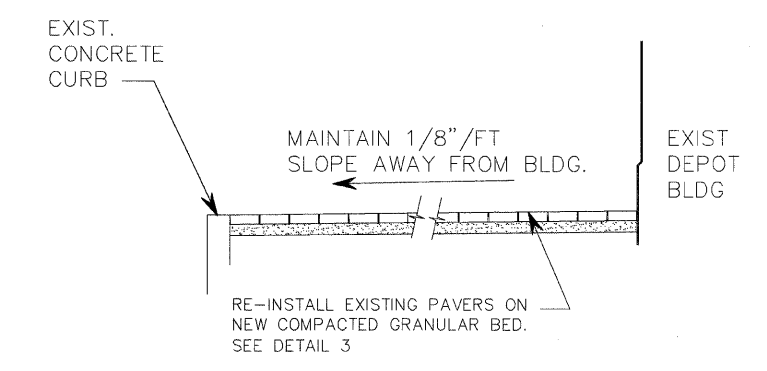


1 FENCE DETAIL



3 FLEXIBLE BASE INSTALLATION



2 PAVER DETAIL

REVISIONS		
NO.	DESCRIPTION	DATE
	IDOT REVIEW	3/16/12

SCALE:	N/A
DRAWN BY:	TK
CHECKED BY:	JP McG
DATE:	JANUARY 20, 2012

CITY OF PLANO
BUILDING, PLANNING, & ZONING
17 E. MAIN STREET PLANO, IL 60545
630-552-8425

SECTION	COUNTY	TOTAL SHTS	SHEET NO.
SECTION #10-0039-00-HP	KENDALL	4	4
HISTORIC PLANO DEPOT, 101 W. MAIN ST., PLANO		CONTRACT NO. 87508	
CITY OF PLANO	ILLINOIS	ITEP PROJECT	