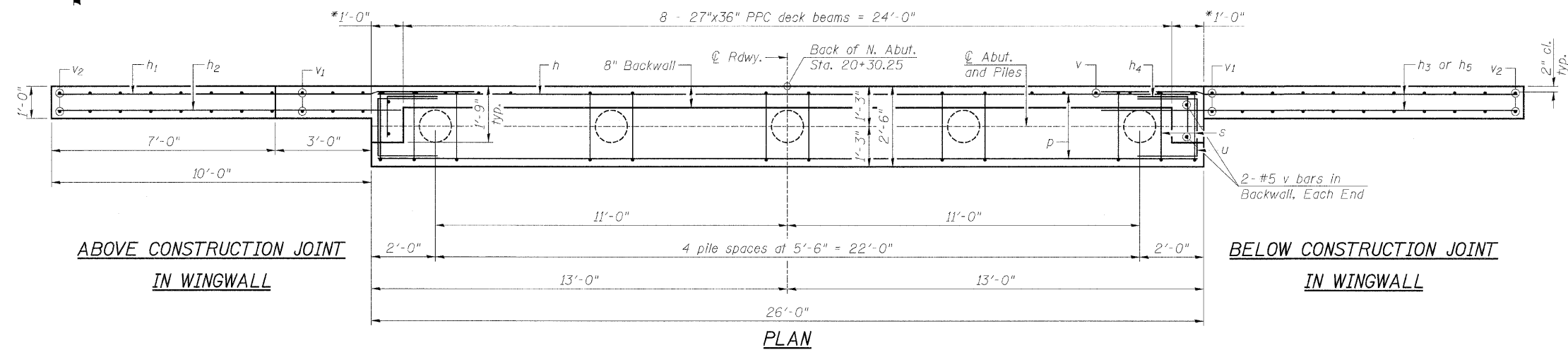


ELEVATION
(Looking North)

SECTION THRU ABUTMENT



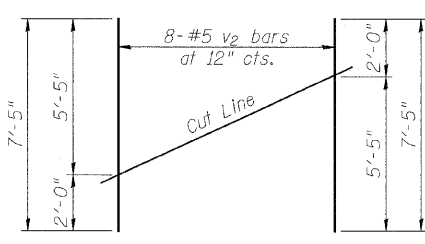
PLAN

BILL OF MATERIAL

Bar	No.	Size	Length	Shape
h	3	#5	25'-8"	—
h ₁	6	#4	10'-3"	—
h ₂	6	#4	8'-4"	—
h ₃	20	#6	13'-1"	—
h ₄	6	#5	3'-3"	└
h ₅	4	#4	5'-10"	—
p	10	#7	25'-8"	—
s	28	#4	11'-5"	□
u	10	#6	7'-1"	▭
v	31	#5	4'-4"	—
v ₁	12	#5	5'-6"	—
v ₂	16	#5	7'-5"	—
Concrete Structures	Cu. Yd.		13.7	
Reinforcement Bars	Pound		1,770	
Furnishing Metal Shell Piles 12" x 0.250"	Foot		136	
Driving Piles	Foot		136	
Test Pile Metal Shells	Each		1	
** Porous Granular Embankment, Special	Ton		56	

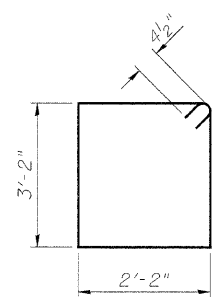
PILE DATA

Type: Metal Shell 12" ϕ x 0.250" walls
 Nominal Required Bearing: 244 kips
 Factored Resistance Available: 135 kips
 Est. Length: 34'
 No. Production Piles: 4
 No. Test Piles: 1

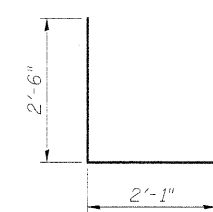


FIELD CUTTING DIAGRAM

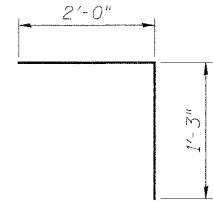
Order v₂ bars full length. Cut as shown and use remainder of bars in opposite face.



BAR s



BAR u



BAR h₄

NOTES:

- Hatched portion of wingwalls to be poured with the backwall after the deck beams have been installed and grout has cured for a minimum of 24 hours.
- All exposed edges shall have standard ³/₄" chamfers, except as noted.
- Space reinforcement in cap to miss dowel rods.
- After beams have been erected, holes shall be drilled into substructure and anchor dowels placed. Dowel holes shall be filled with non-shrink grout to top of beam and allowed to cure a min. of 24 hours prior to grouting the shear keys.
- For pile details, see Structural Sheet 8 of 9.
- *May vary due to overrun of beams.
- **For Drainage Details, see Structural Sheet 2 of 9.

FILE = S:\PROJECTS\2018\12\2018_Bureau_Co. - HICKORY CREEK STATION 20+00_N.Abut.dwg

WILLETT HOFMANN ASSOCIATES INC.
 ENGINEERING ARCHITECTURE LAND SURVEYING
 809 EAST 2ND STREET, DIXON, IL 61021-0367
 T: 315-294-5381 DESIGN FIRM: #184-000918

DESIGNED - MICHAEL WAGNER	REVISED -
CHECKED - BRIAN CONVERSE	REVISED -
DRAWN - RON ALLEN	REVISED -
CHECKED - MEGAN CACKLEY	REVISED -

BUREAU COUNTY
T.R. 106 (850 E. ST.) OVER HICKORY CREEK
STATION 20 + 00

NORTH ABUTMENT DETAILS
STRUCTURE NO. 006-4218
 STRUCTURAL SHEET NO. 6 OF 9 SHEETS

TWP. RTE.	SECTION	COUNTY	TOTAL SHEETS	SHEET NO.
106	08-15119-00-BR	BUREAU	18	12
WHA# 1287D10		CONTRACT NO.	87523	
ILLINOIS/FED. AID PROJECT BR05-00110861				