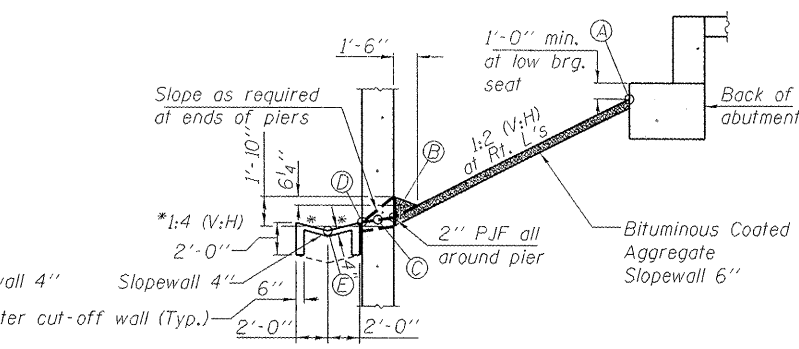
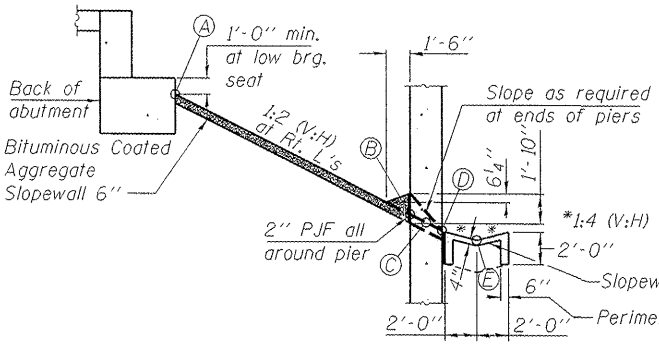
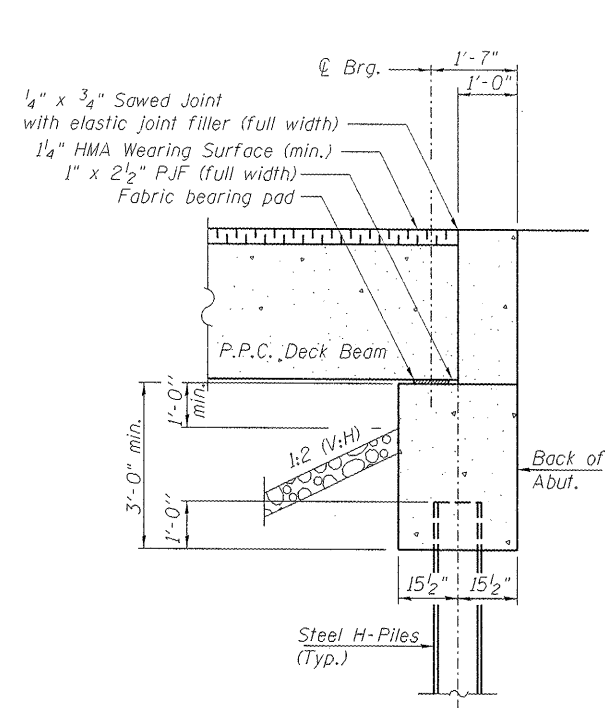


GENERAL NOTES

1. Reinforcement bars shall conform to the requirements of ASTM A 706 Gr 60. See Special Provisions.
2. Reinforcement bars designated (E) shall be epoxy coated.
3. Protective Coat shall be applied to the Top and Inside surfaces of Concrete Curbs, Top surfaces of Wingwalls, Top exposed surfaces of Backwalls and Exposed Bearing Seat Surfaces of Pier caps. Protective Coat shall not be applied to surfaces to which Waterproofing Membrane system is to be applied.
4. The existing structural steel coating contains lead. The Contractor shall take appropriate precautions to deal with the presence of lead on this project.
5. The embankment configuration shown shall be the minimum that must be placed and compacted prior to construction of the abutments.



Note:
Reinforce 4" thick Vee-Ditch and 6" thick cut-off walls with Welded Wire Fabric 6x6-W4.0 x W4.0 wt. 58#s/100 Sq. Ft. cntr'd. in slabs and walls. Welded Wire Fabric Included in the Cost of Slopewall 4".

ELEVATIONS - SLOPEWALLS AND VEE-DITCHES

Point	South Slopewall			North Slopewall		
	W. End	Rdwy. C.	E. End	W. End	Rdwy. C.	E. End
(A)	664.36	664.36	664.36	659.65	659.65	659.65
(B)	638.18	638.31	638.44	638.87	638.90	638.93
(C)	637.08	637.22	637.36	638.34	638.45	638.55
(D)	636.19	636.05	635.91	637.77	637.96	638.15
(E)	635.69	635.55	635.41	637.27	637.46	637.65

TOTAL BILL OF MATERIAL

ITEM	UNIT	SUPER	SUB	TOTAL
Stone Riprap, Class A3	Sq. Yd.	-	58	58
Filter Fabric	Sq. Yd.	-	115	115
Bituminous Materials (Prime Coat)	Gallon	41	-	41
Hot-Mix Asphalt Surface Course, Mix "C", N50	Ton	33	-	33
Structure Excavation	Cu. Yd.	-	191	191
Concrete Structures	Cu. Yd.	-	170.9	170.9
Concrete Superstructure	Cu. Yd.	10.4	-	10.4
Concrete Encasement	Cu. Yd.	-	3.4	3.4
Protective Coat	Sq. Yd.	69	-	69
Precast Prestressed Concrete Deck Beams (27" Depth)	Sq. Ft.	4010	-	4010
Reinforcement Bars	Pound	-	14020	14020
Reinforcement Bars, Epoxy Coated	Pound	540	23260	23800
Steel Railing, Type T1	Foot	339	-	339
Slope Wall 4 Inch	Sq. Yd.	-	27	27
Furnishing Steel Piles HPI2x53	Foot	-	284	284
Driving Piles	Foot	-	284	284
Test Pile Steel HP12x53	Each	-	2	2
Pile Shoes	Each	-	10	10
Name Plates	Each	-	-	1
Drilled Shaft in Soil	Cu. Yd.	-	43.6	43.6
Drilled Shaft in Rock	Cu. Yd.	-	36.3	36.3
Waterproofing Membrane System	Sq. Yd.	409	-	409
Portland Cement Mortar Fairing Course	Foot	1171	-	1171
Bituminous Coated Aggregate Slopewall 6"	Sq. Yd.	-	348	348

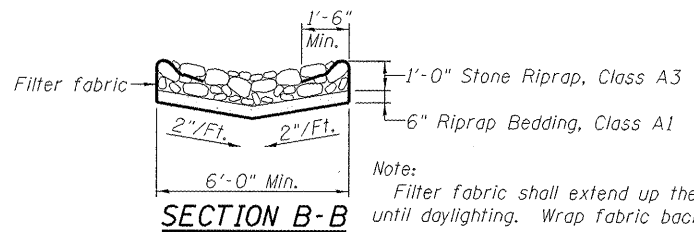
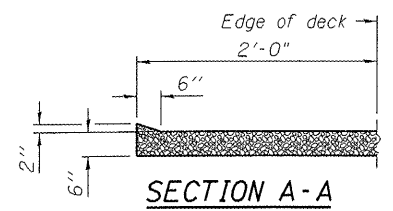
INDEX OF SHEETS

- 1 General Plan
- 2 General Data
- 3 Superstructure
- 4 Superstructure Details
- 5 PPC Deck Beam
- 6 PPC Deck Beam Details
- 7 Steel Railing Details, Type T-1
- 8 South Abutment
- 9 North Abutment
- 10 Pier 1
- 11 Pier 2
- 12 HP Pile Details
- 13 Boring Logs (1 of 3)
- 14 Boring Logs (2 of 3)
- 15 Boring Logs (3 of 3)

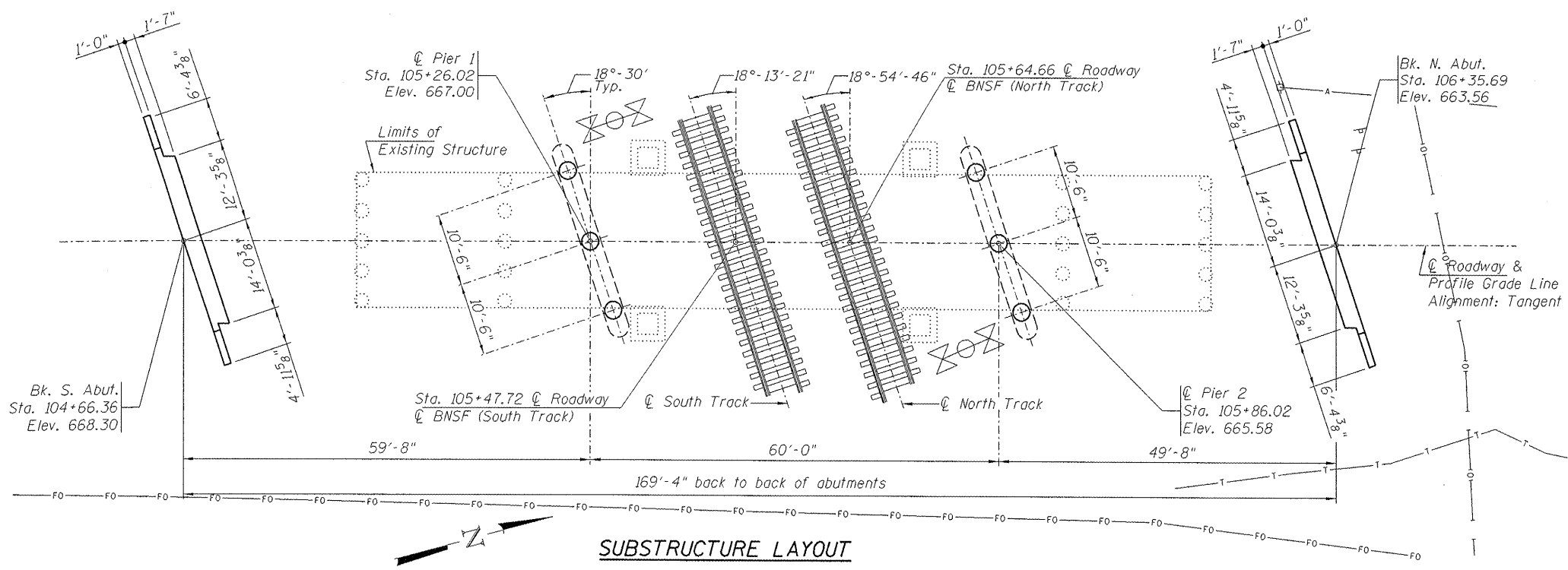
T.R. 176 over BNSF R.R.
BUILT 20 BY
PERSIFER ROAD DISTRICT
KNOX COUNTY
SEC. 05-15103-00-BR
STA. 105+51.03
STR. NO. 048-9927 LOADING HL-93

LETTERING FOR NAME PLATE

Locate Name Plate on Southeast Corner of Bridge (See Standard 515001)



Note:
Filter fabric shall extend up the side of the trench until daylighting. Wrap fabric back into the riprap.



HANSON
 PROFESSIONAL DESIGN FIRM LICENSE #184-001084
 © Copyright Hanson Professional Services Inc. 2011

FILE NAME =	USER NAME =	DESIGNED - MNM	REVISD -	STATE OF ILLINOIS DEPARTMENT OF TRANSPORTATION	GENERAL DATA STRUCTURE NO. 048-9927	F.A. RTE.	SECTION	COUNTY	TOTAL SHEETS	SHEET NO.	
	CHECKED - JGT	REVISD -				TR 176	05-15103-00-BR	KNOX	97	28	
PLOT SCALE =	DRAWN - Rod	REVISD -				CONTRACT NO. 89429					
PLOT DATE =	CHECKED - TEH	REVISD -				ILLINOIS FED. AID PROJECT BROS 0095 128					