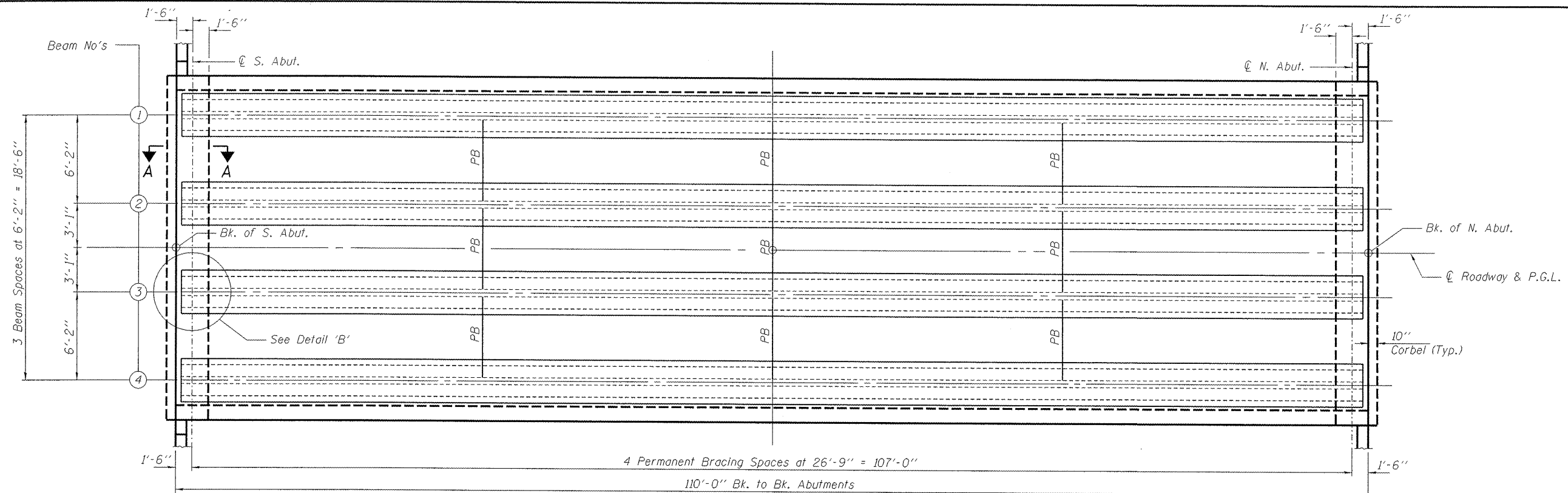
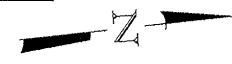




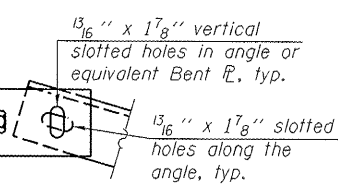
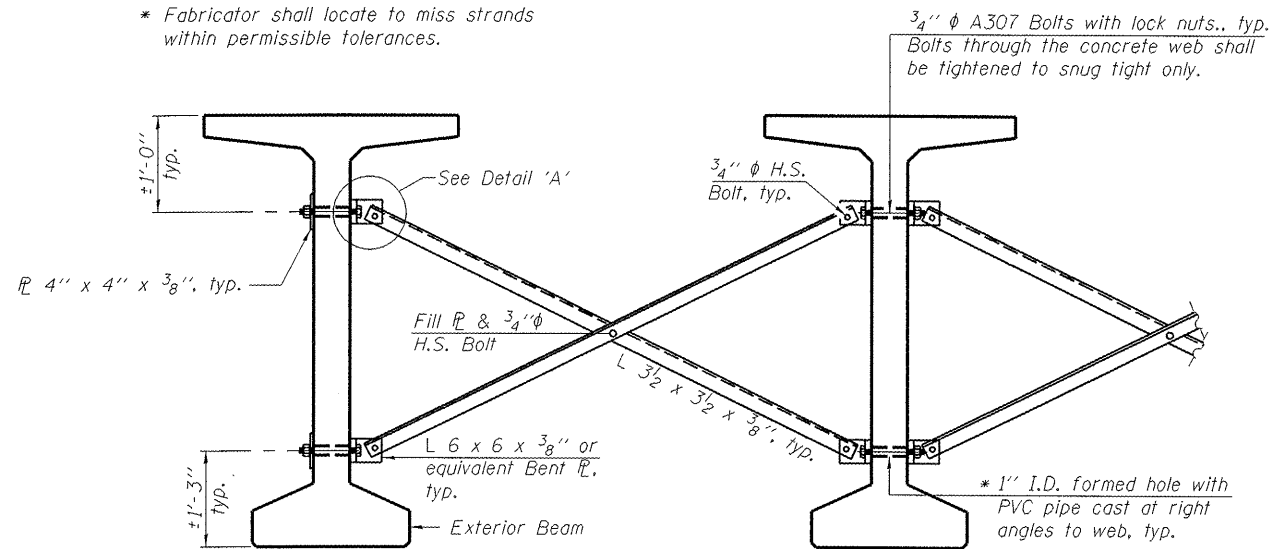
PROFESSIONAL DESIGN FIRM LICENSE #184-001084  
© Copyright Hanson Professional Services Inc. 2011



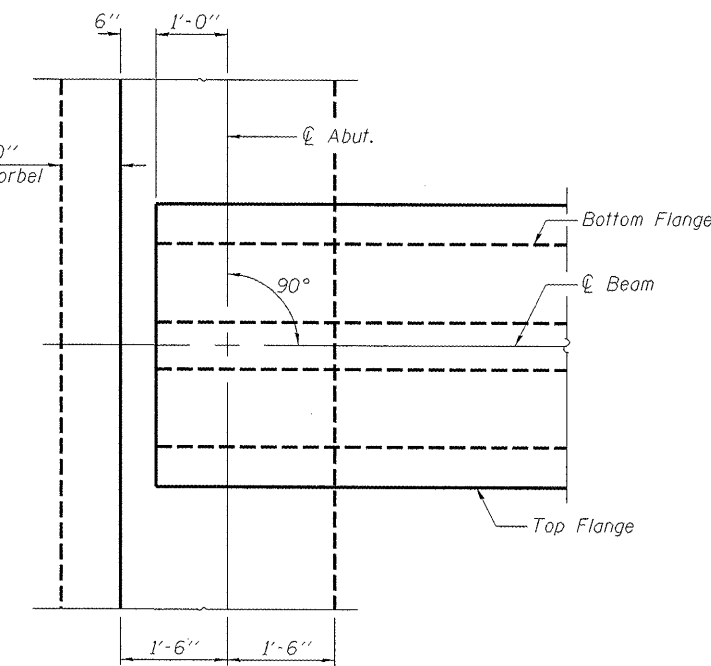
**FRAMING PLAN**



\* Fabricator shall locate to miss strands within permissible tolerances.



**DETAIL 'A'**



**DETAIL 'B'**

**Notes:**  
All material for bracing shall be hot dip galvanized according to AASHTO M111 unless otherwise noted.  
Two hardened washers are required for each set of oversized holes.  
All holes shall be 5/16" diameter unless otherwise noted.  
5/16" x 3" x 3" plate washers are required over all slotted holes.  
All bolts shall be galvanized according to AASHTO M232.  
Bracing shall be installed as beams are erected and tightened as soon as possible during erection.  
Permanent bracing shall not be paid for separately, but shall be included in the cost of Furnishing and Erecting Precast Prestressed Concrete Bulb T-Beams.

**PERMANENT BRACING DETAILS FOR BULB-T BEAMS**  
(9 Required)

Notes: See Sheet 08 of 23 for Section A-A.

FILE NAME :	USER NAME :	DESIGNED - JGT	REVISIONS -	<b>STATE OF ILLINOIS DEPARTMENT OF TRANSPORTATION</b>	<b>FRAMING PLAN STRUCTURE NO. 048-3387</b>	F.A. RTE.	SECTION	COUNTY	TOTAL SHEETS	SHEET NO.
	CHECKED - MNM	REVISIONS -	TR 176			05-15106-01-BR	KNDX	97	54	
	PLOT SCALE :	DRAWN - DAP	REVISIONS -			CONTRACT NO. 89429				
	PLOT DATE :	CHECKED - JGT	REVISIONS -			ILLINOIS FED. AID PROJECT BROS 0095 127				