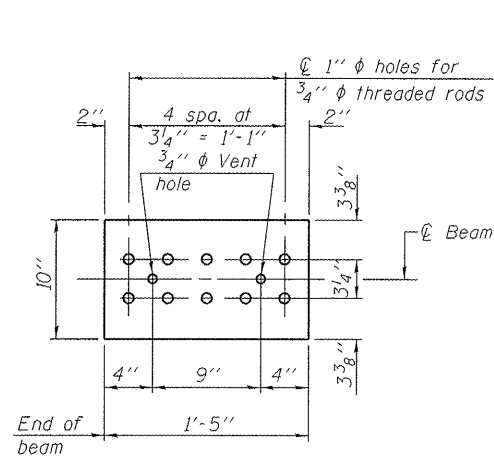


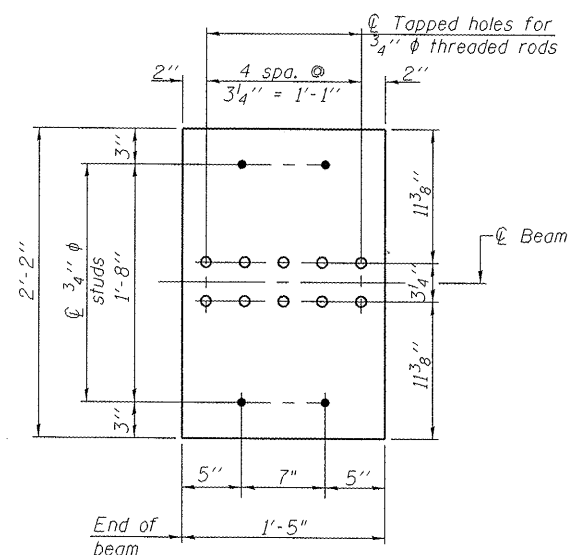
LIFTING LOOP DETAIL

NOTES

Inserts for 3/4" ϕ threaded dowel rods, when specified, are to be two strut, ferrule type for interior beams and single ferrule, flared loop type for exterior beams.
 Prestressing steel shall be uncoated high strength, low relaxation 7-wire strand, Grade 270. The nominal diameter shall be 1/2" and the nominal cross-sectional area shall be 0.153 sq. in.
 Reinforcement bars shall conform to ASTM A 706, Grade 60. (See Special Provisions).
 A minimum 2 1/2" ϕ lifting pin shall be used to engage the lifting loops during handling.
 Tilt G6 bars when necessary to maintain 1 1/2" clearance.
 The top and bottom plates shall be AASHTO M270 Grade 50.
 The bottom plates and studs shall be galvanized according to AASHTO M111. Top plates and threaded rods need not be galvanized.
 Threaded rods shall be ASTM F 1554 Grade 55.

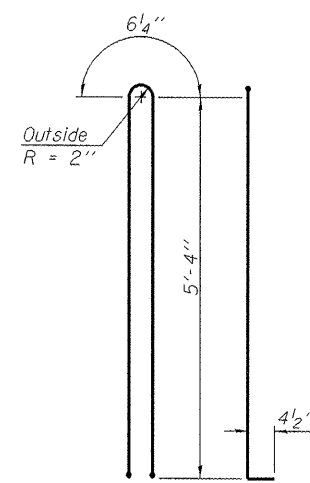


TOP PLATE

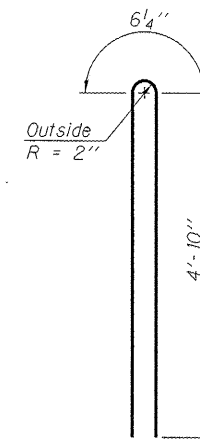


BOTTOM PLATE

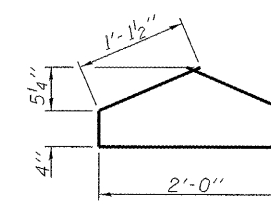
See bearing details for pintle hole locations when required.



BAR G1



BAR G2



BAR G4

BILL OF MATERIAL

Item	Unit	Total
Furnishing and Erecting Precast Prestressed Concrete Bulb T-Beams, 63"	Ft.	436

FILE NAME =	USER NAME =	DESIGNED - JGT	REVISED -
		CHECKED - MNM	REVISED -
	PLOT SCALE =	DRAWN - JGT	REVISED -
	PLOT DATE =	CHECKED - MNM	REVISED -

STATE OF ILLINOIS
DEPARTMENT OF TRANSPORTATION

63" PPC BULB T-BEAM DETAILS
STRUCTURE NO. 048-3387

SHEET NO. 15 OF 23 SHEETS

F.A. RTE.	SECTION	COUNTY	TOTAL SHEETS	SHEET NO.
TR 176	05-15106-01-BR	KNOX	97	56
CONTRACT NO. 89429			ILLINOIS FED. AID PROJECT BR05 0095 127	