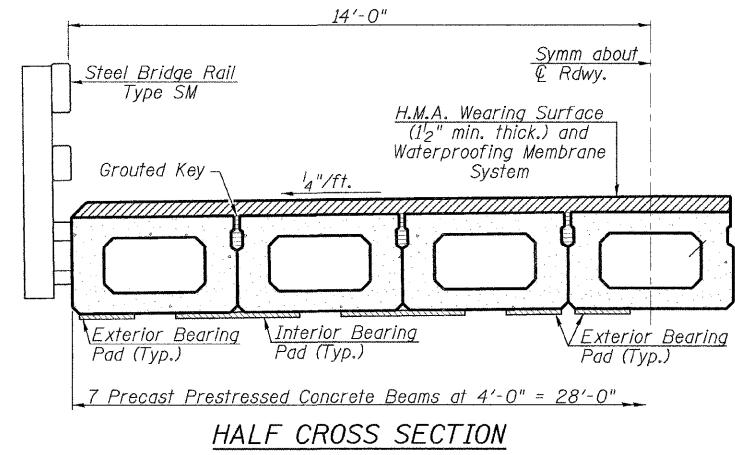
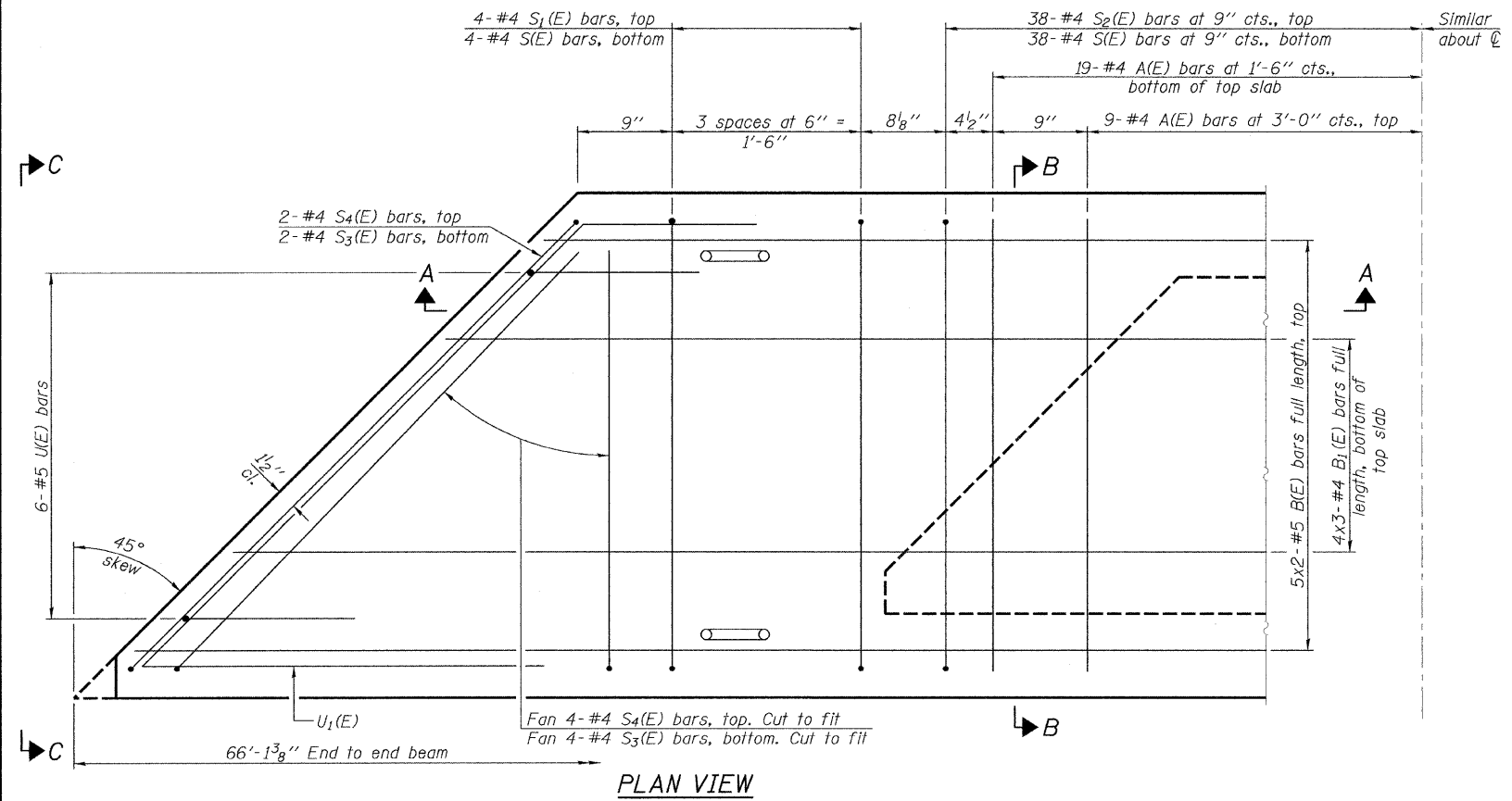
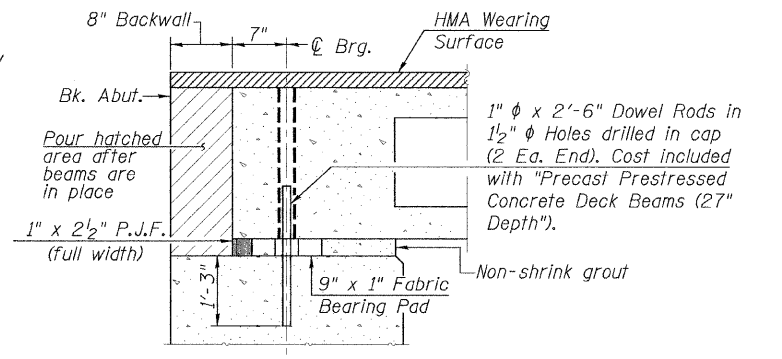


\* Rail post anchor devices (Sheet 11) to be cast into exterior face of outside beams

Note: Place the number of strands specified in each row symmetrically about the centerline of beam in the permissible strand locations shown.

**MINIMUM BAR LAP**  
 #4 bar = 2'-0"  
 #5 bar = 2'-6"



**BAR LIST**  
**ONE BEAM ONLY**  
 (For information only)

Bar	No.	Size	Length	Shape
A(E)	57	#4	3'-7"	—
B(E)	10	#5	34'-4"	—
B1(E)	12	#4	23'-5"	—
S(E)	84	#4	7'-5"	—
S1(E)	8	#4	6'-11"	┌
S2(E)	76	#4	7'-2"	┌
S3(E)	12	#4	5'-6"	┌
S4(E)	12	#4	5'-3"	┌
U(E)	12	#5	4'-6"	┌
U1(E)	4	#4	11'-0"	┌

Note: See sheet 3 of 6 for additional details and Bill of Material.

PD-2748-L

7-1-10

Note: Spacing of S(E) and S2(E) bars may be adjusted up to 4" in the immediate area of the transverse tie diaphragms to miss the block outs for the transverse ties.

FILE NAME =	USER NAME =	DESIGNED -	REVISD -
		CHECKED -	REVISD -
PLOT SCALE =		DRAWN -	REVISD -
PLOT DATE =		CHECKED -	REVISD -

**Allen Henderson & Associates, Inc.**  
 Civil and Structural Engineers Springfield, IL.  
 62703 Phone: (217)544-8033 IL Design Firm  
 No. 184-001907

**27" x 48" PPC DECK BEAM**  
**STRUCTURE NO. 084-3645**  
 SHEET NO. 2 OF 6 SHEETS

C.H. RTE.	SECTION	COUNTY	TOTAL SHEETS	SHEET NO.
40	08-00054-01-BR	SANGAMON	18	9

CONTRACT NO. 93572  
 ILLINOIS FED. AID PROJECT