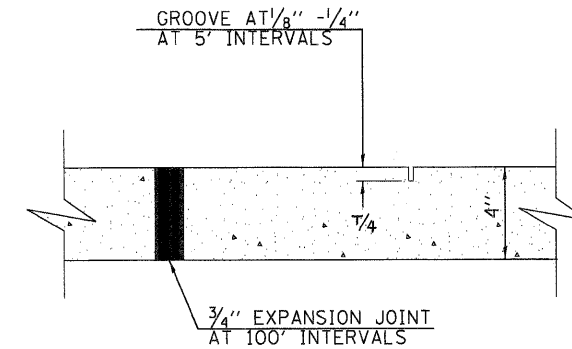


TYPICAL SIDEWALK DETAIL
(NOT TO SCALE)

NOTES:

1. USE 1/2" PREMOULDED JOINT FILLER AT SIDEWALK AND STRUCTURE INTERFACES. SIDEWALK SHALL CONFORM TO SECTION 424 - PORTLAND CEMENT CONCRETE SIDEWALK OF THE ILLINOIS STANDARD SPECIFICATIONS FOR ROAD AND BRIDGE CONSTRUCTION.
2. REQUIRED MIN. COMPRESSIVE STRENGTH OF CONC. = 3500 PSI @ 14 DAYS
3. CONTRACTOR MUST SAWCUT EXISTING SIDEWALK AT EXISTING TOOL JOINT
4. AGGREGATE BASE SHALL NOT BE PAID FOR SEPARATELY, BUT SHALL BE INCLUDED IN THE COST FOR PORTLAND CEMENT CONCRETE SIDEWALK 4 INCH.

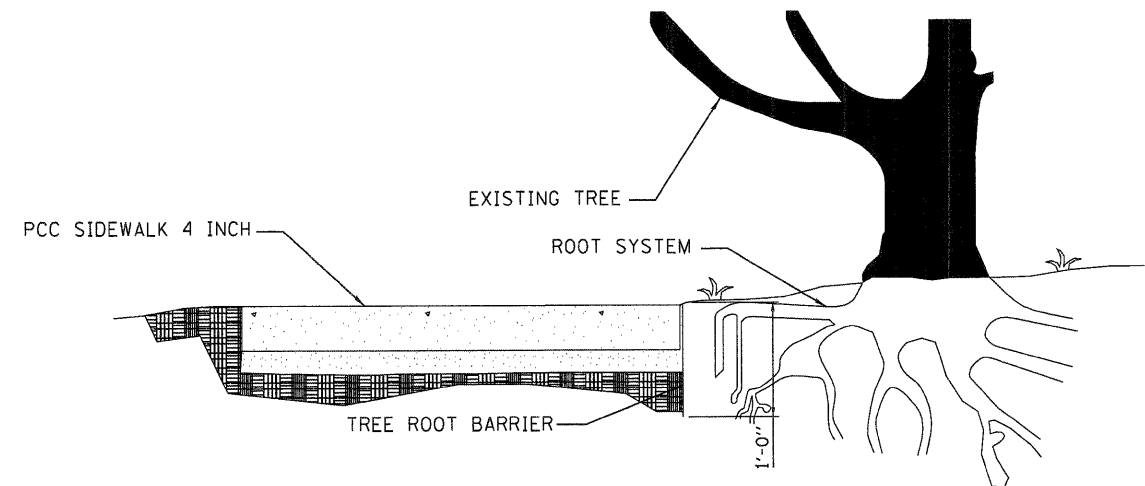


TYPICAL SIDEWALK JOINT DETAIL

APPLIES TO NEW SIDEWALK & SIDEWALK REPLACEMENT

NOTES:

ONE-HALF INCH EXPANSION JOINT TO BE PLACED BETWEEN THE PROPOSED SIDEWALK AND ANY EXISTING STRUCTURE, DRIVEWAY, CURB & GUTTER, ETC.



ROOT BARRIER DETAIL

(SEE SCHEDULE OF QUANTITIES FOR LOCATIONS)