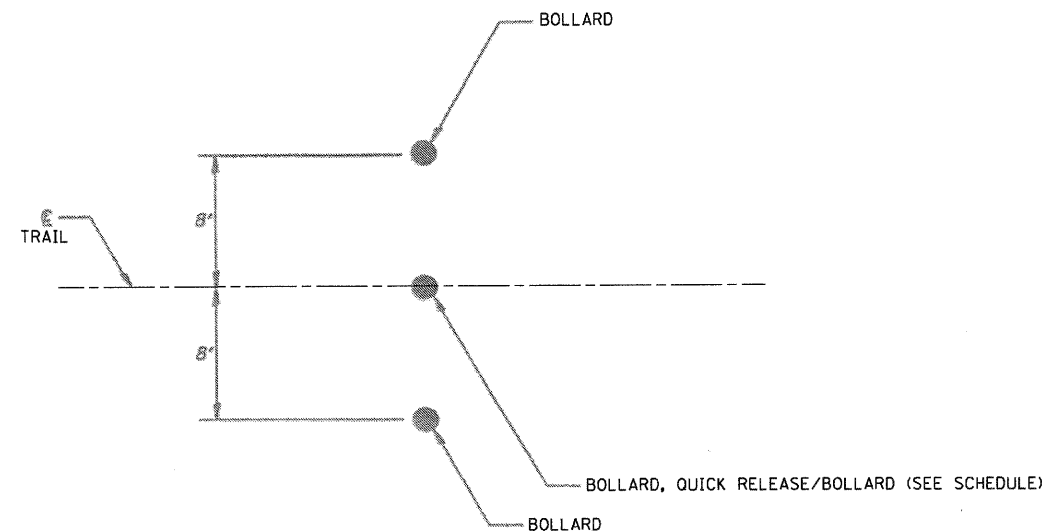
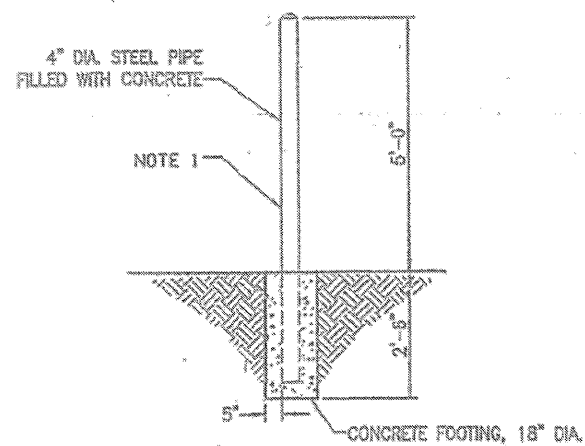


BOLLARD, QUICK RELEASE

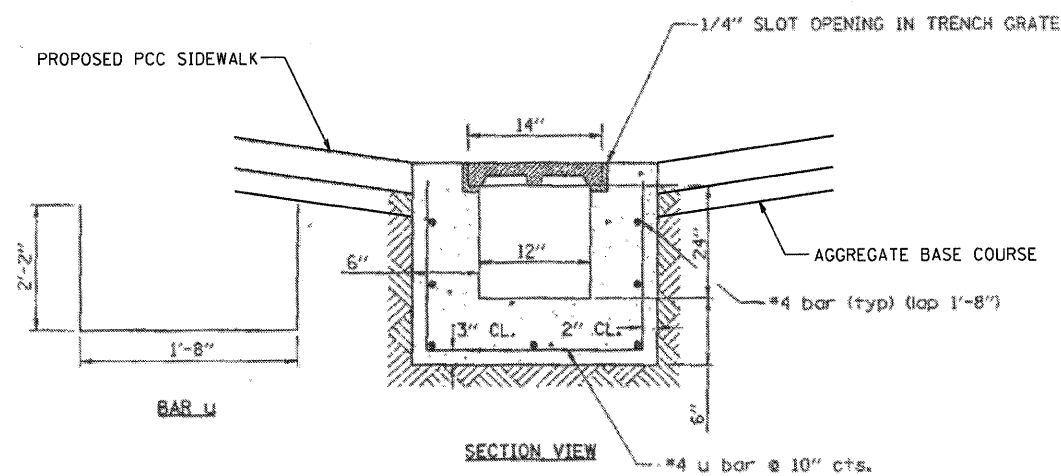


BOLLARD LAYOUT

NOTE 1:
ALUMINUM PIPE AND STEEL PIPE SHALL BE COVERED WITH YELLOW RETROREFLECTIVE SHEETING MEETING THE REQUIREMENTS OF ARTICLE 1106.01 OF THE STANDARD SPECIFICATIONS



BOLLARDS



SECTION VIEW

NOTE - TRENCH DRAIN TO MATCH DRIVEWAY SLOPE

TRENCH DRAIN DETAIL

ALL EXCAVATION, BACKFILL, CONCRETE AND REFLECTIVE SHEETING IS INCIDENTAL TO THE COST OF THE BOLLARD AND BOLLARD, QUICK RELEASE.

GREENE & BRADFORD, INC.



FILE NAME = J:\10001.22\CADD\CADD Sheets\shd-detail.dgn	USER NAME = amandah	DESIGNED - WCB	REVISED -
PLOT SCALE = 100.0000 / 1 in.	CHECKED - GSK	DRAWN - AJH	REVISED -
PLOT DATE = 4/6/2012	DATE - 4/2/2012		REVISED -

**PLUMMER BLVD MULTI-USE TRAIL
VILLAGE OF CHATHAM**

BOLLARD DETAILS

SCALE: NTS SHEET NO. 1 OF 1 SHEETS STA. TO STA.

F.A. RTE.	SECTION	COUNTY	TOTAL SHEETS	SHEET NO.
10-00030-00-BT		SANGAMON	29	23
PLUMMER BLVD TRAIL				
FED. ROAD DIST. NO.	ILLINOIS FED. AID PROJECT TE-0006 (109)			

CONTRACT NO. 93579

G&B PROJECT: 10001.22
PLOT DRIVER = PLOTTER