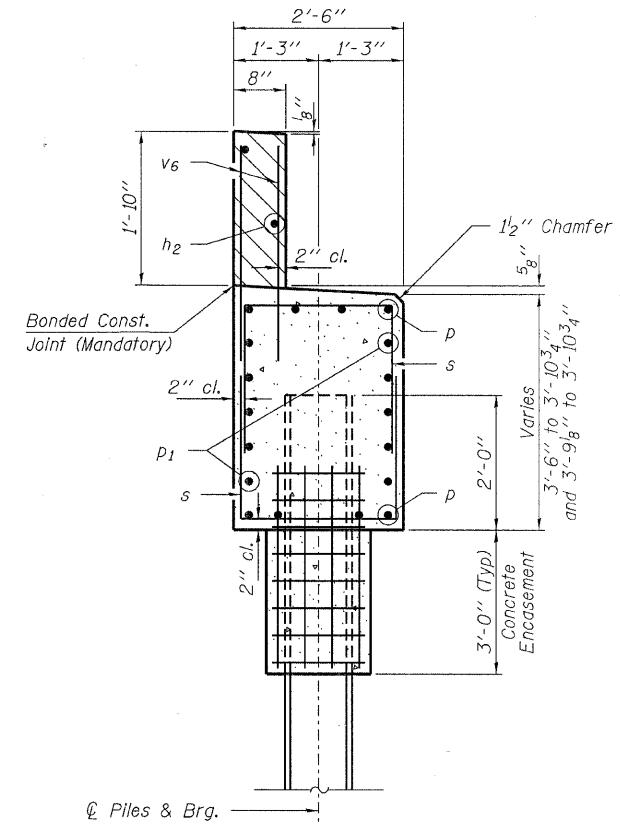


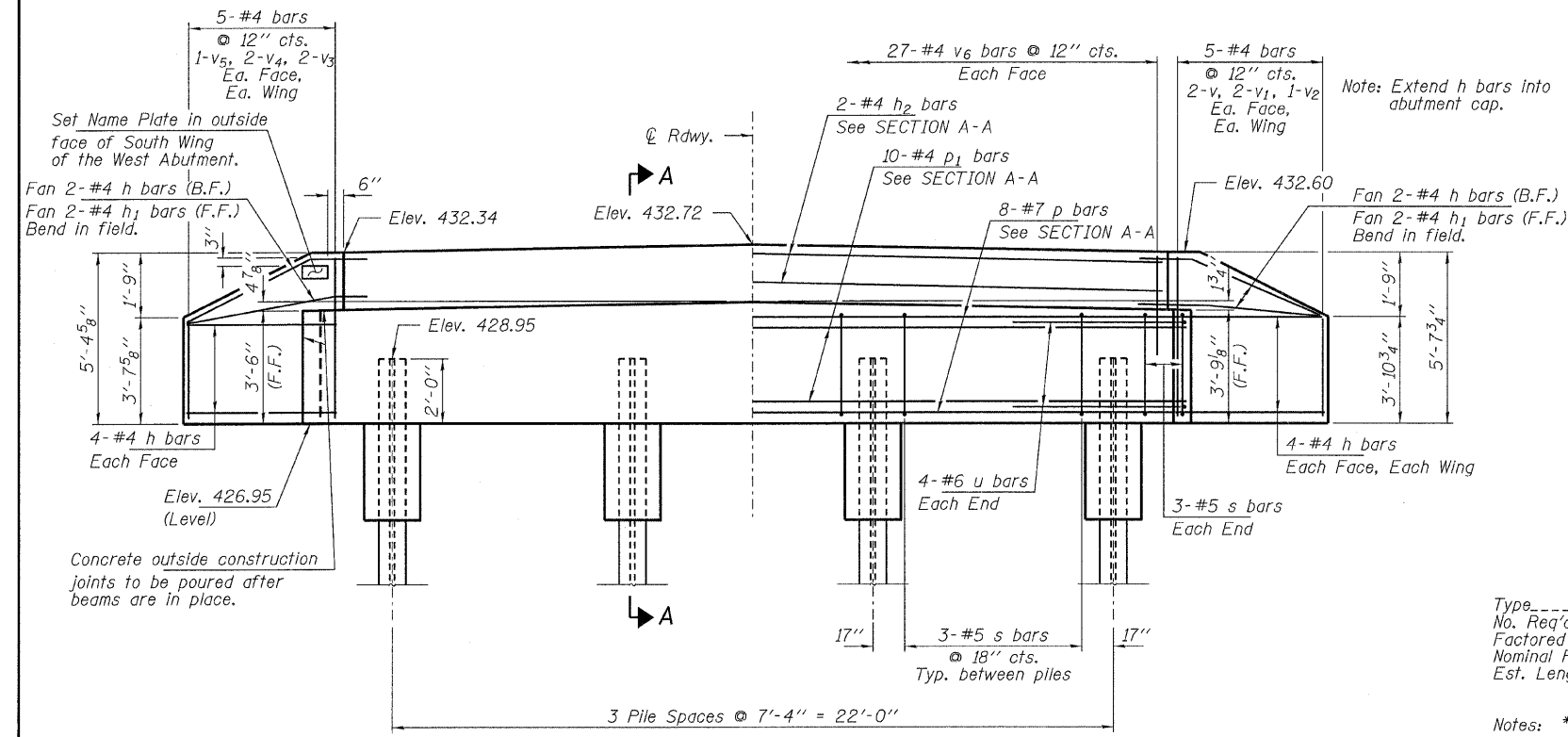
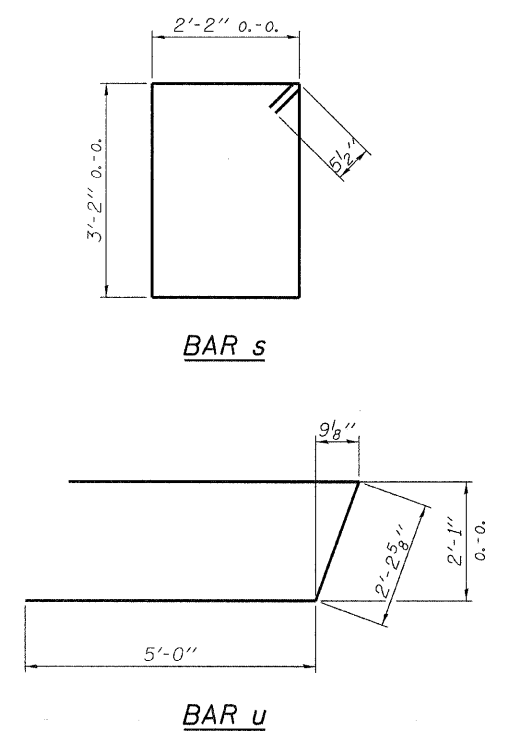
**PLAN**

Note: Elevations in PLAN view are to top of concrete.



**SECTION A-A**

Hatched area to be poured after beams are in place.



**ELEVATION**  
(Looking West)

Note: Extend h bars into abutment cap.

Set Name Plate in outside face of South Wing of the West Abutment.  
Fan 2-#4 h bars (B.F.)  
Fan 2-#4 h1 bars (F.F.)  
Bend in field.

Fan 2-#4 h bars (B.F.)  
Fan 2-#4 h1 bars (F.F.)  
Bend in field.

Concrete outside construction joints to be poured after beams are in place.

**PILE DATA**

Type: Steel HP10x42  
No. Req'd. (W. Abut.): 4  
Factored Resistance Available (Rf): 184 Kips/Pile  
Nominal Required Bearing (Rn): 335 Kips/Pile  
Est. Length: 55 Ft/Pile

Notes: \* Includes one test pile to be driven in permanent location at the West Abutment.  
The test piles shall be driven to 110 percent of the Nominal Required Bearing indicated in the pile data information.

**BILL OF MATERIAL - W. ABUT.**

| BAR                 | NO. | SIZE | LENGTH  | SHAPE |
|---------------------|-----|------|---------|-------|
| h                   | 20  | #4   | 6'-0"   | —     |
| h1                  | 4   | #4   | 4'-6"   | —     |
| h2                  | 2   | #4   | 26'-10" | —     |
| p                   | 8   | #7   | 26'-10" | —     |
| p1                  | 10  | #4   | 26'-10" | —     |
| s                   | 15  | #5   | 11'-7"  | □     |
| u                   | 8   | #6   | 12'-3"  | U     |
| v                   | 4   | #4   | 5'-1"   | —     |
| v1                  | 4   | #4   | 4'-1"   | —     |
| v2                  | 2   | #4   | 3'-7"   | —     |
| v3                  | 4   | #4   | 4'-10"  | —     |
| v4                  | 4   | #4   | 3'-10"  | —     |
| v5                  | 2   | #4   | 3'-4"   | —     |
| v6                  | 54  | #4   | 2'-8"   | —     |
| Concrete Structures |     |      | Cu. Yd. | 12.2  |
| Concrete Encasement |     |      | Cu. Yd. | 1.4   |
| Reinforcement Bars  |     |      | Pound   | 1,230 |
| Steel Piles HP10x42 |     |      | Foot    | 165   |
| Name Plates         |     |      | Each    | 1     |