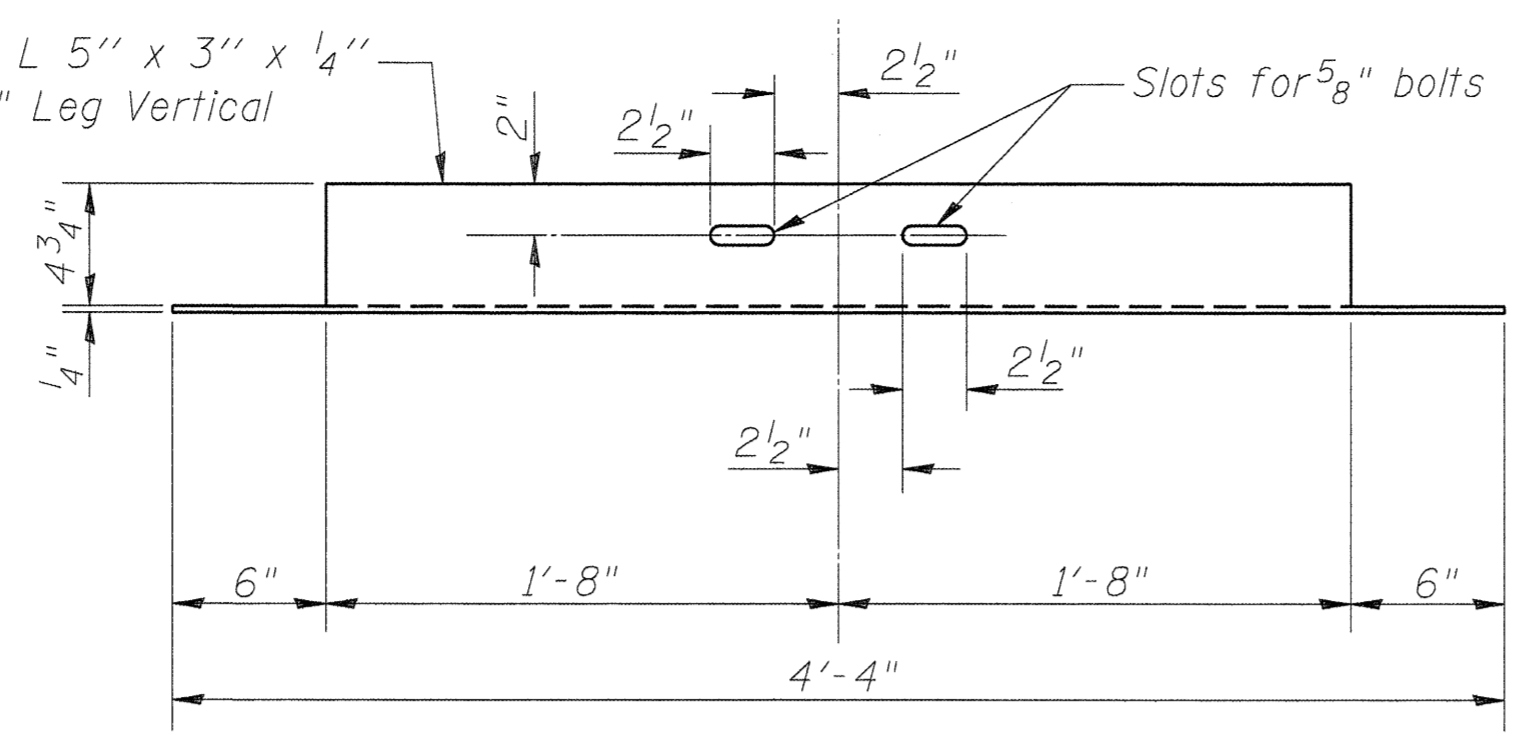
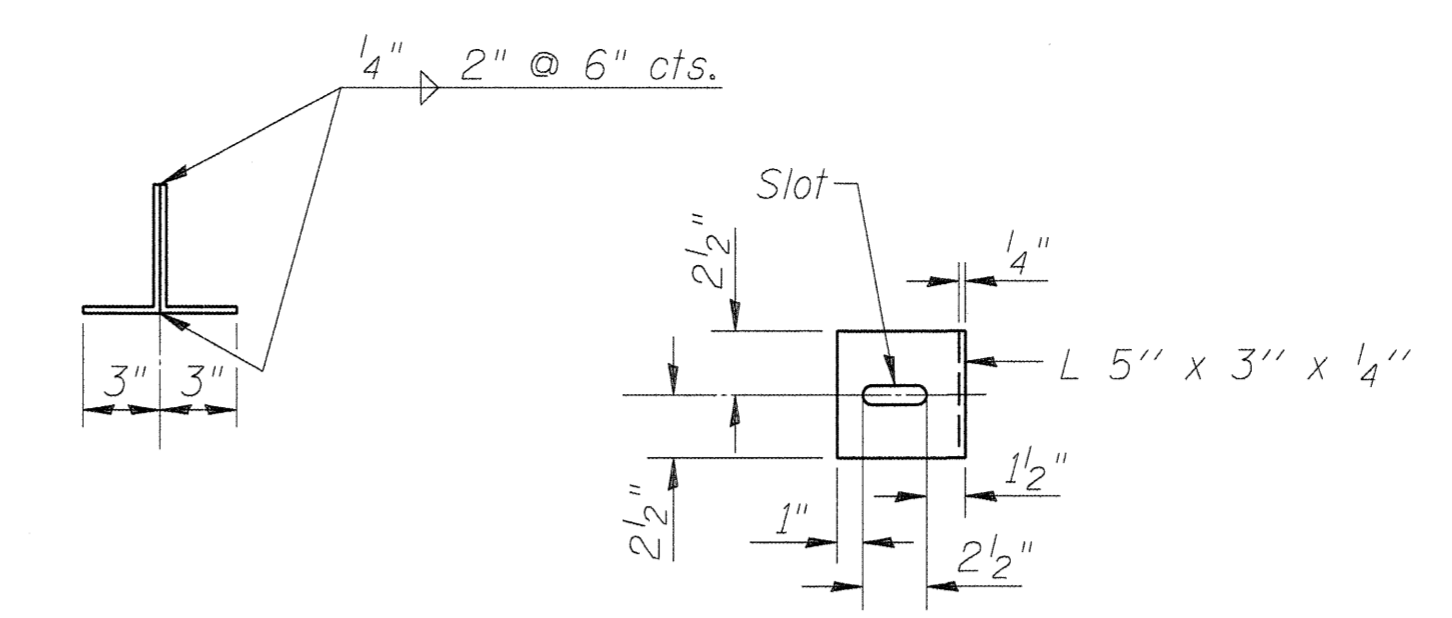


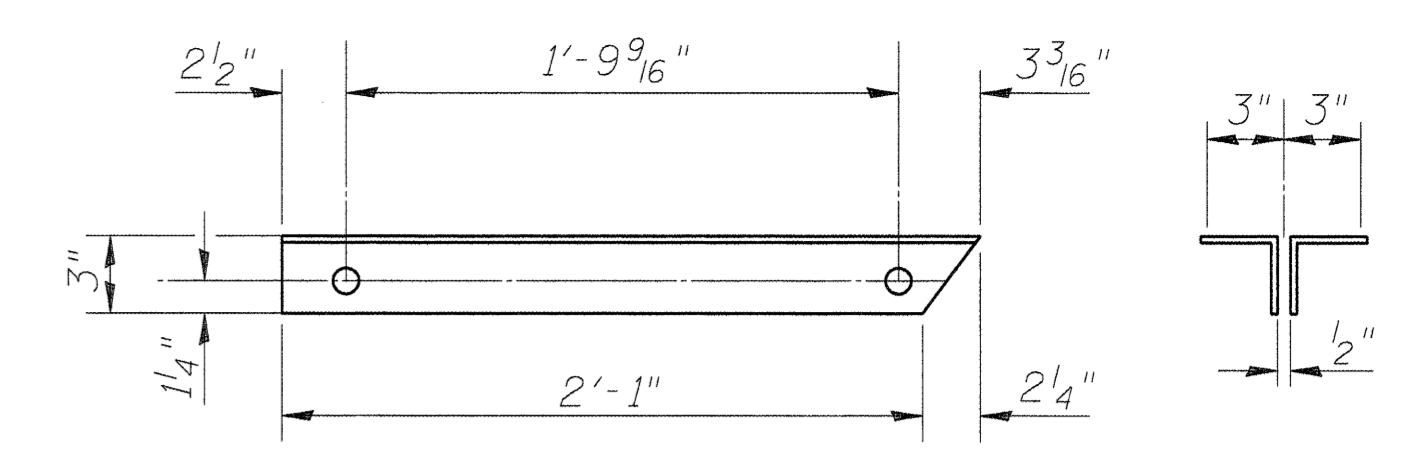
SECTION A-A



BOTTOM BRACE

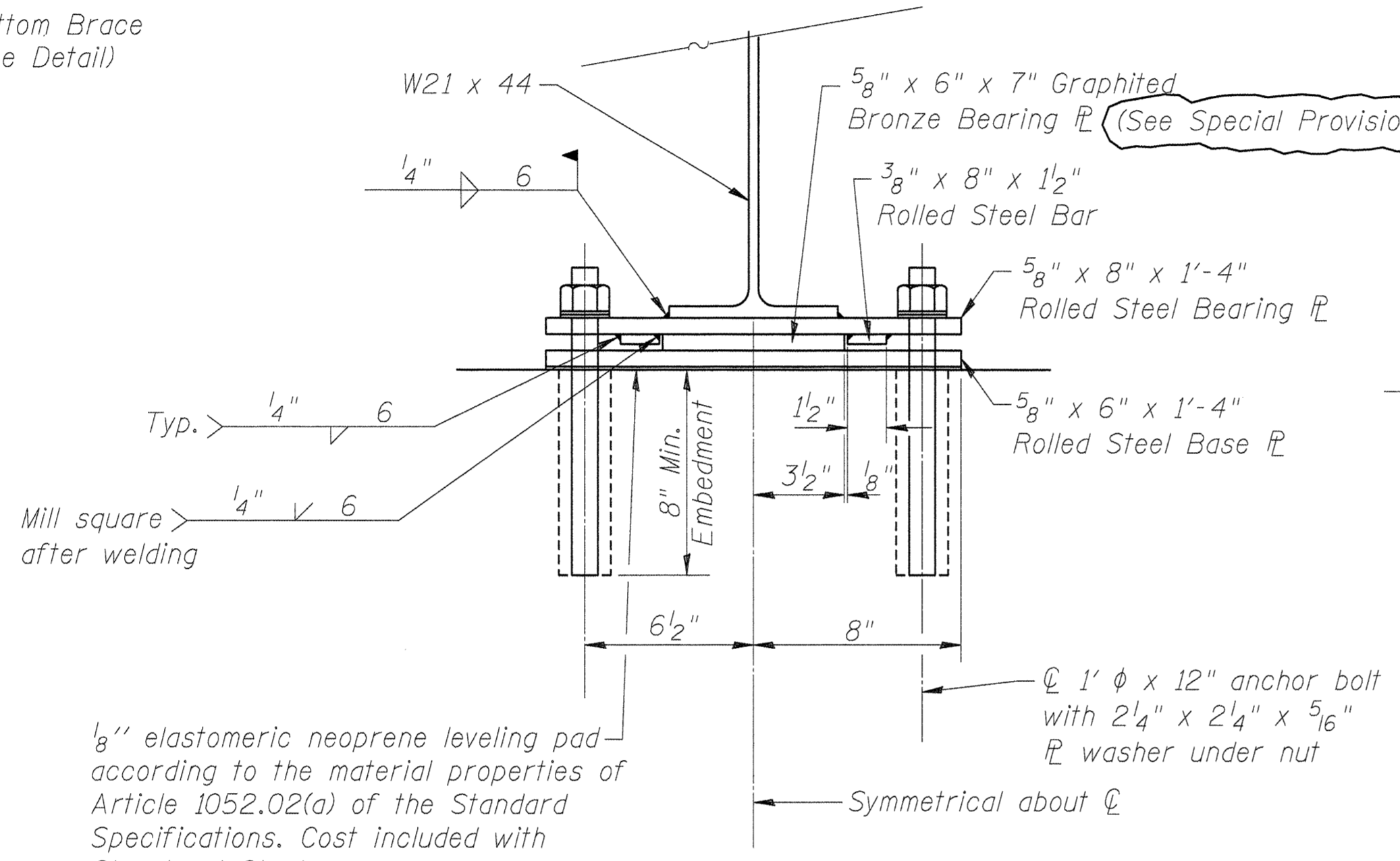


MOUNTING BRACKET

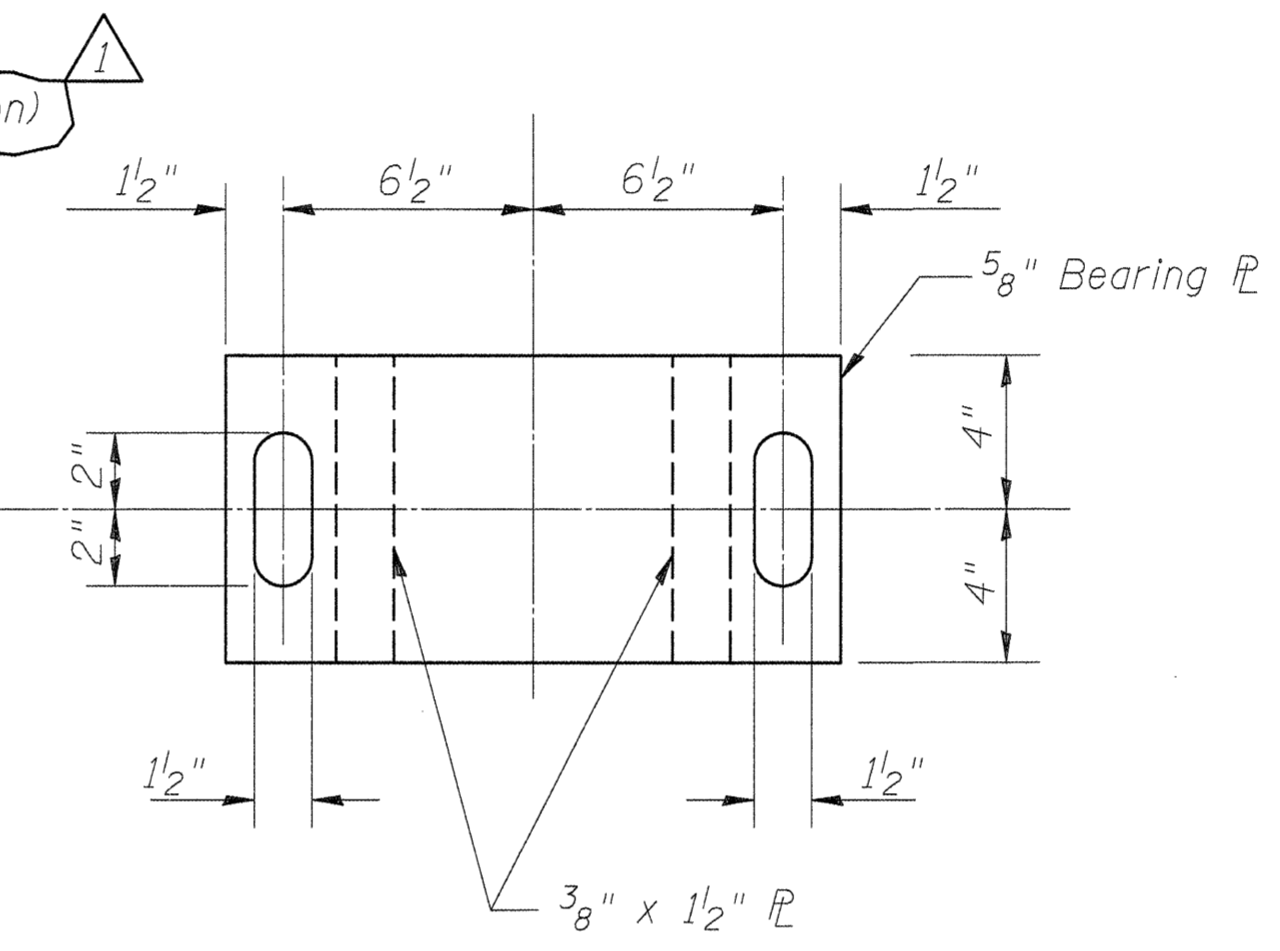


SIDE BRACE

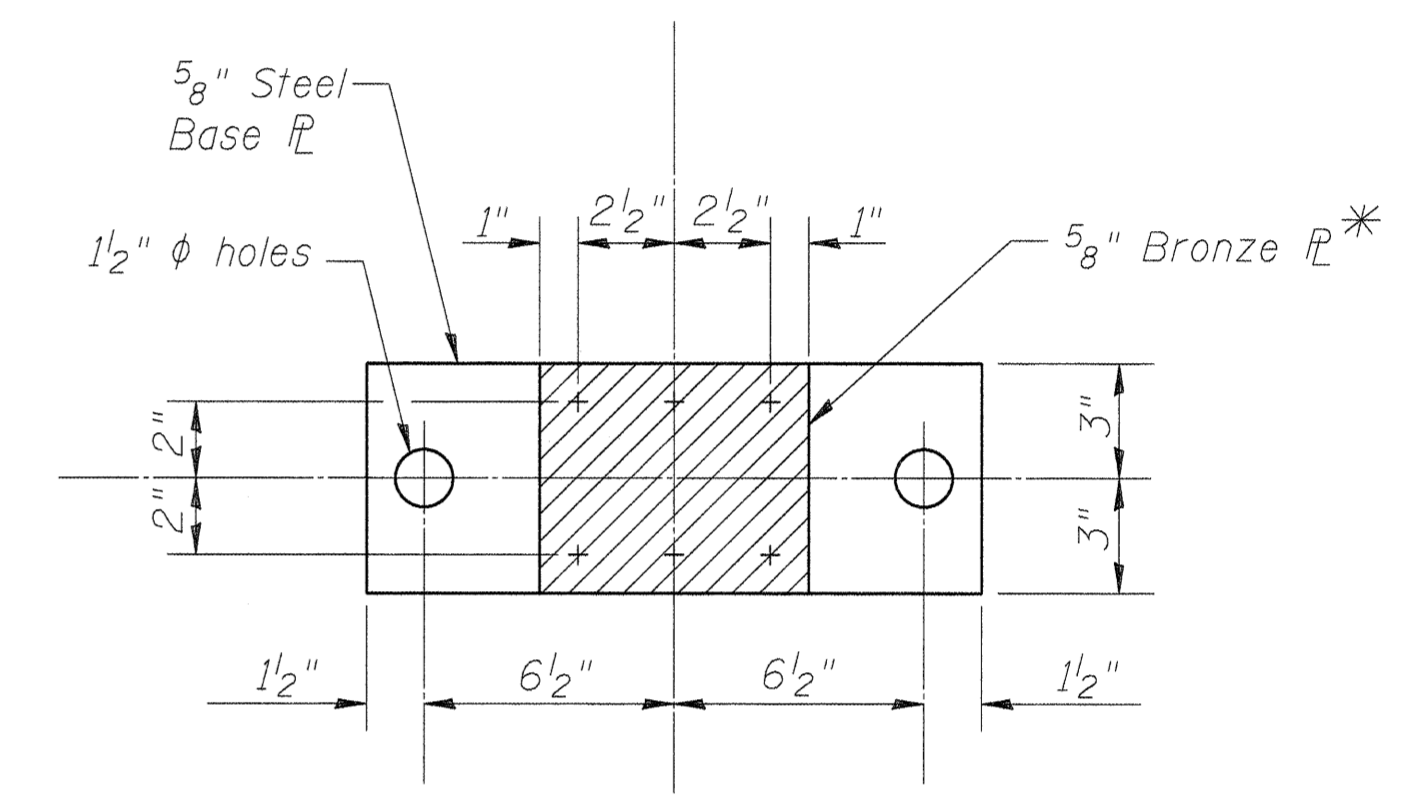
Notes:
 Anchor bolts shall be ASTM F1554 all-thread (or an Engineer-approved alternate material) of the grade(s) and diameter(s) specified. ASTM A307 Grade C anchor bolts may be used in lieu of ASTM F1554 Grade 36 (Fy=36ksi). The corresponding specified grade of AASHTO M314 anchor bolts may be used in lieu of ASTM F1554.
 Anchor bolts of fixed bearings may be either cast in place or installed in holes drilled after the supported member is in place.
 Drilled and set anchor bolts shall be installed according to Article 521.06 of the Standard Specifications.
 Two 1/8 in. adjusting shims shall be provided for each bearing in addition to all other plates or shims and placed as shown on bearing details.
 All bearing plates and pintles shall conform to the requirements of AASHTO M 270 Grade 50W.



EXPANSION END - BEARING ASSEMBLY

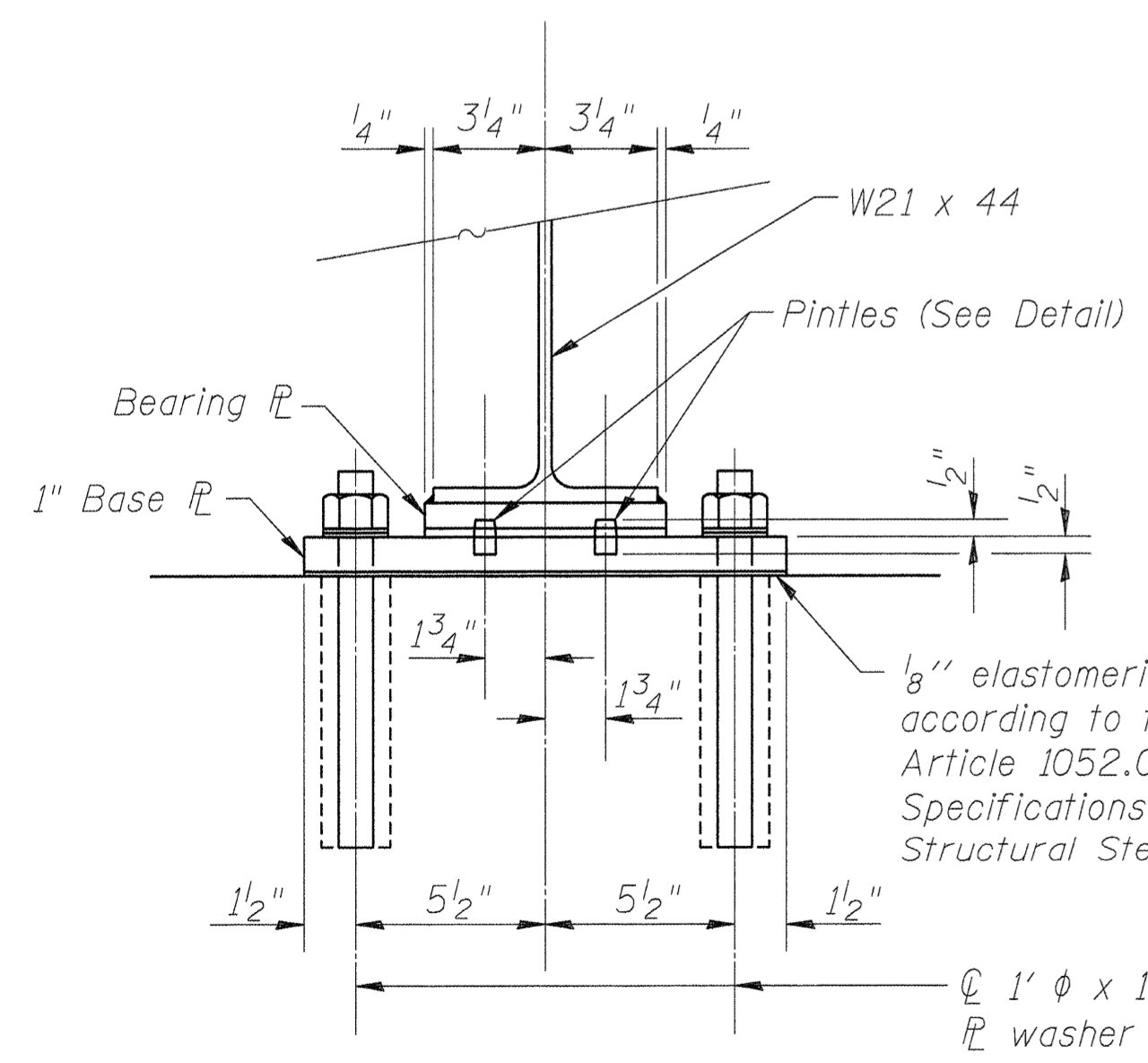


EXPANSION END - BEARING PLATE

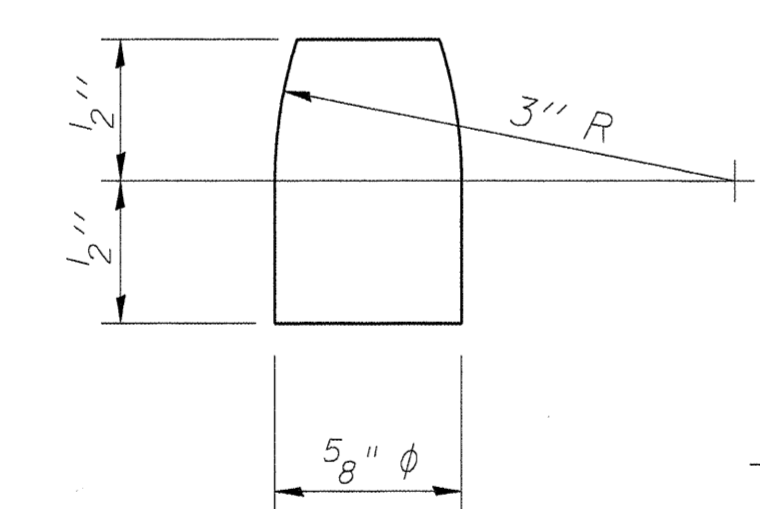


EXPANSION END - BASE PLATE

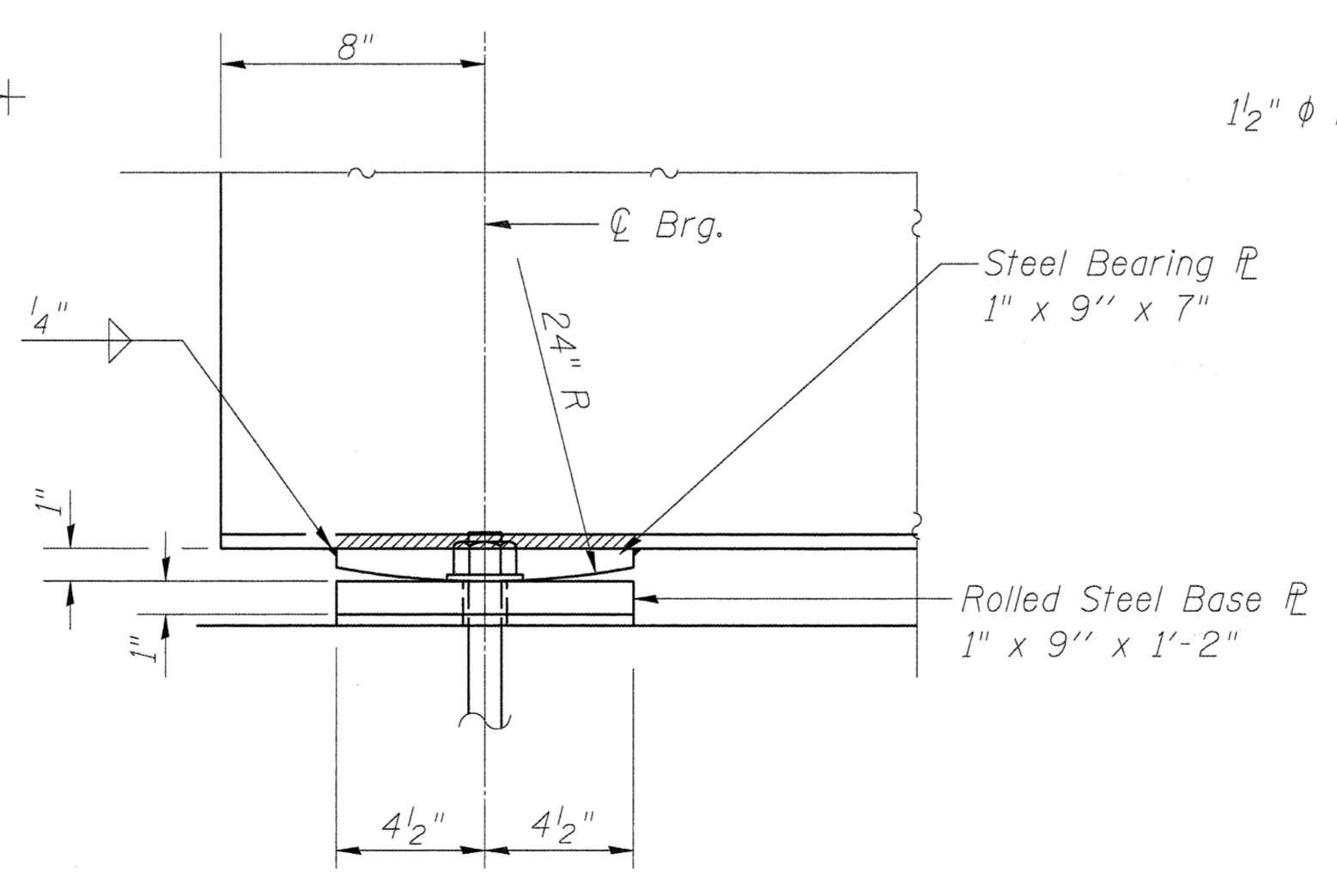
* Drill 5/8" Bronze Plate and Tap 5/8" Base Plate with 3/8" Turned Bolts with countersunk heads. Cost included in Furnishing and Erecting Structural Steel. (See Special Provision)



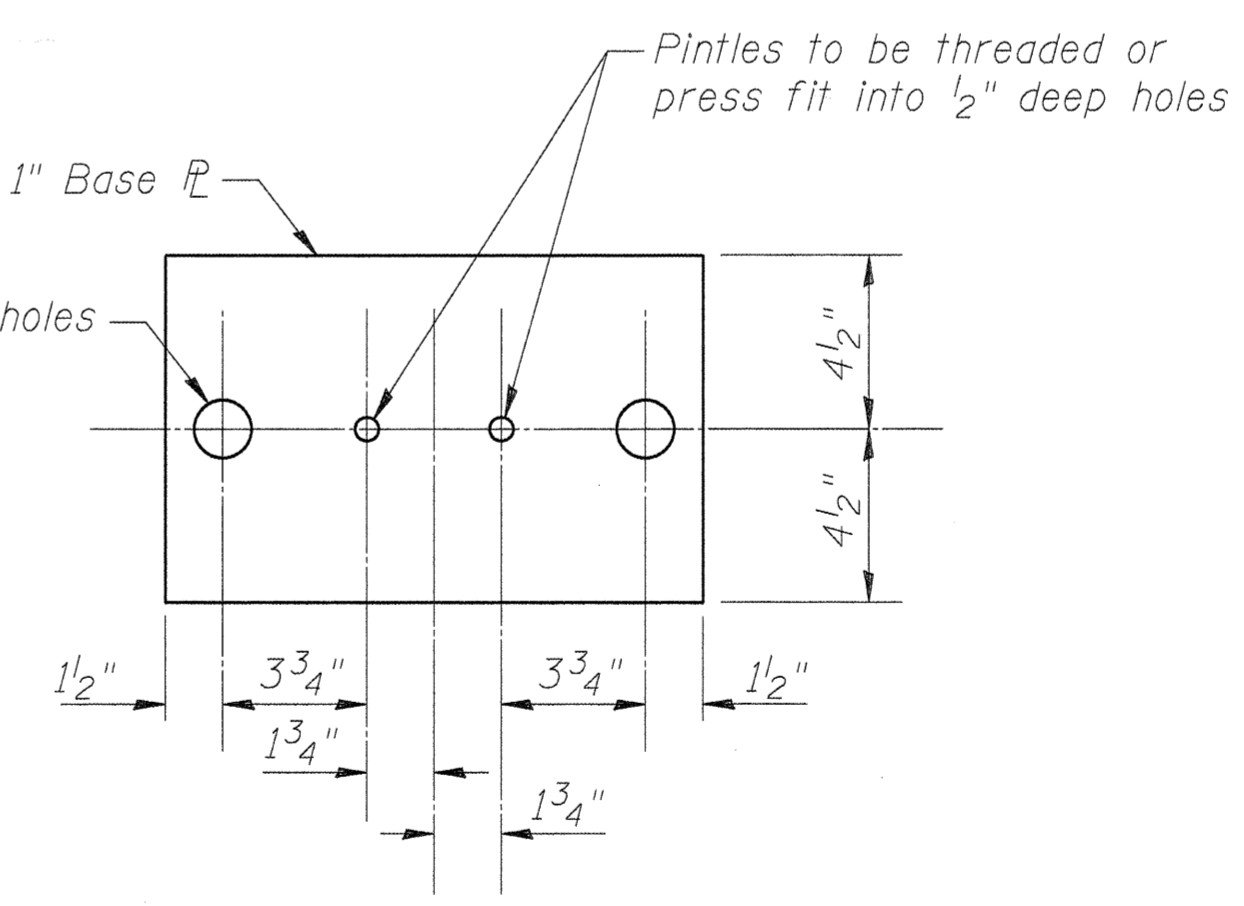
FIXED END - BEARING ASSEMBLY



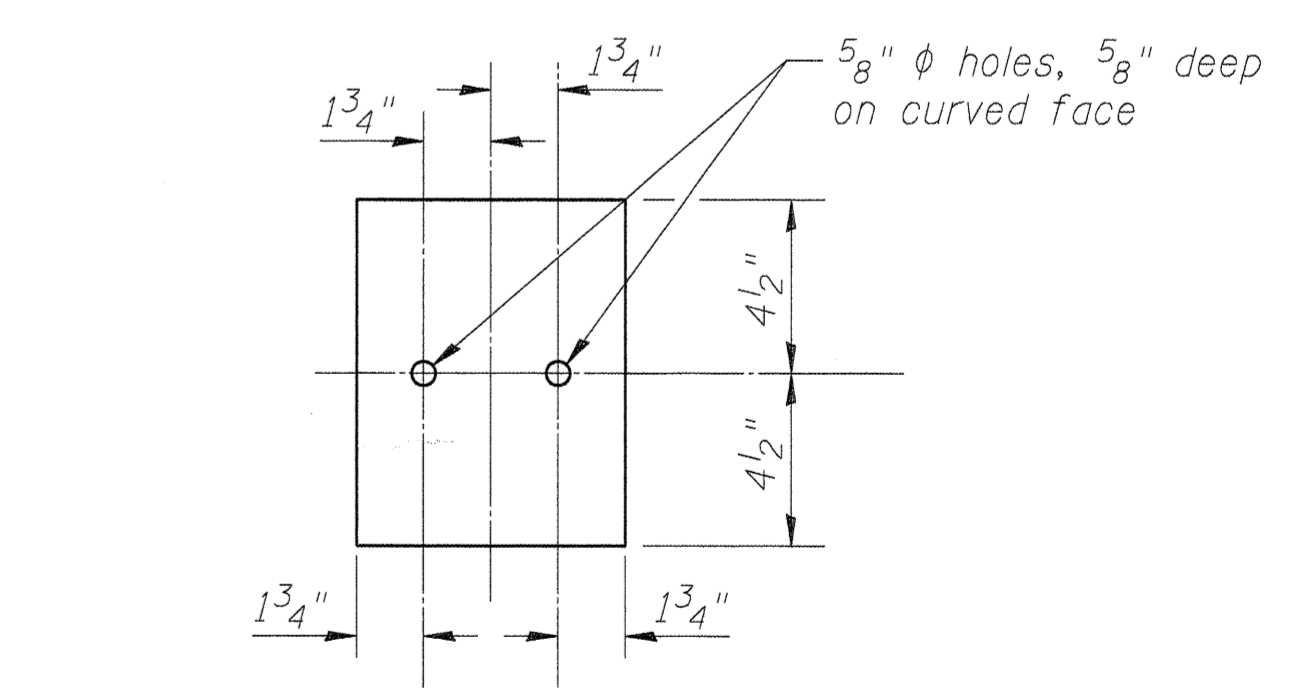
PINTLE DETAIL



SIDE VIEW



FIXED END - BASE PLATE



FIXED END - BEARING PLATE

URS
 345 EAST ASH AVENUE, SUITE B
 DECATUR, ILLINOIS 62526
 PH. 217-875-4800

FILE NAME =	USER NAME = Brian K. Nicholson	DESIGNED - MJP	REVISED - 5/25/2012	STATE OF ILLINOIS DEPARTMENT OF TRANSPORTATION	SANITARY SEWER BRIDGE DETAILS	F.A.U. RTE. 7398	SECTION 09-00905-00-BR	COUNTY MACON	TOTAL SHEETS 63	SHEET NO. 23	
PLOT SCALE =	DRAWN - BKN	CHECKED - KWB	REVISED -			SHEET NO. 2 OF 9 SHEETS		CONTRACT NO. 95687		ILLINOIS FED. AID PROJECT	
PLOT DATE =	CHECKED - KWB	REVISED -	REVISED -								