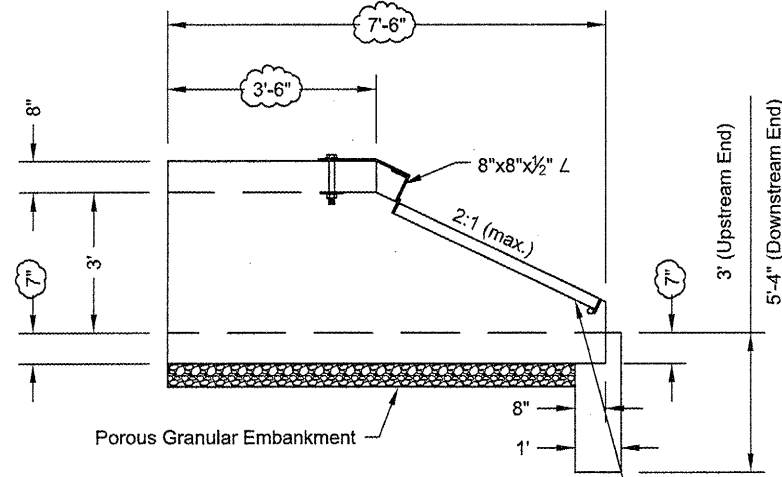
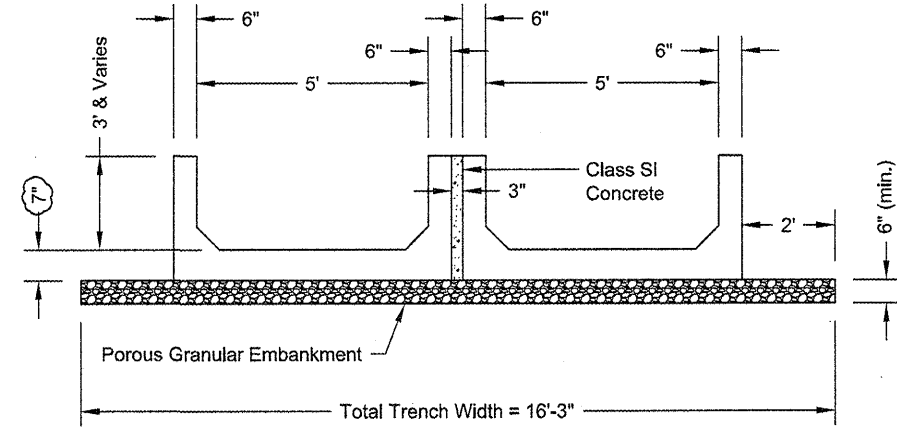


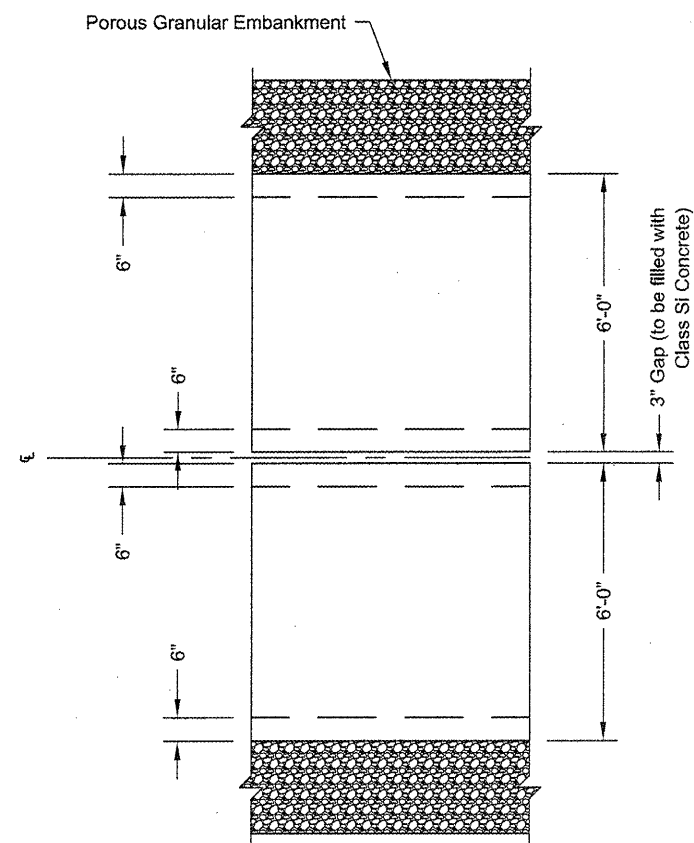
SECTION THRU BARRELS



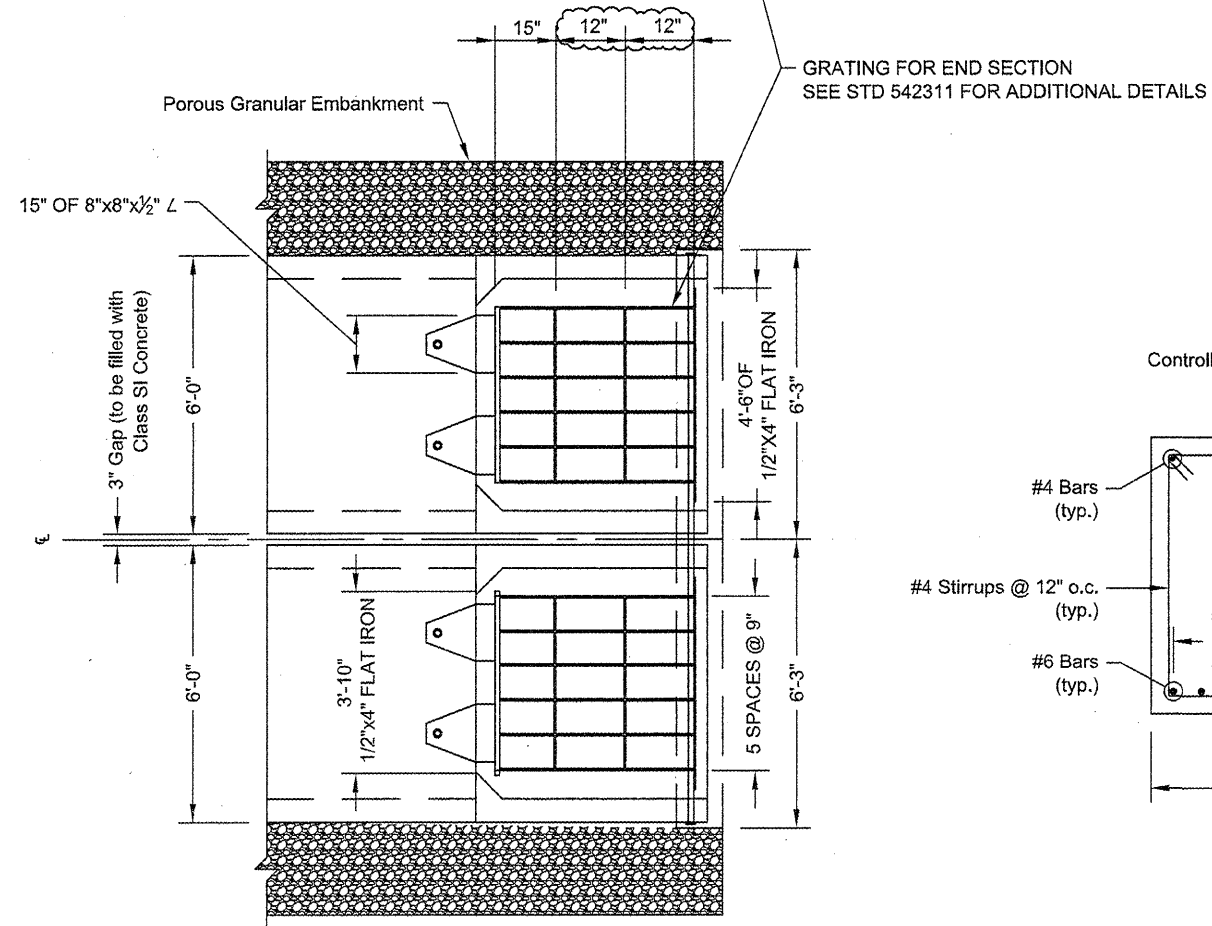
END SECTION ELEVATION



SECTION THRU END SECTIONS

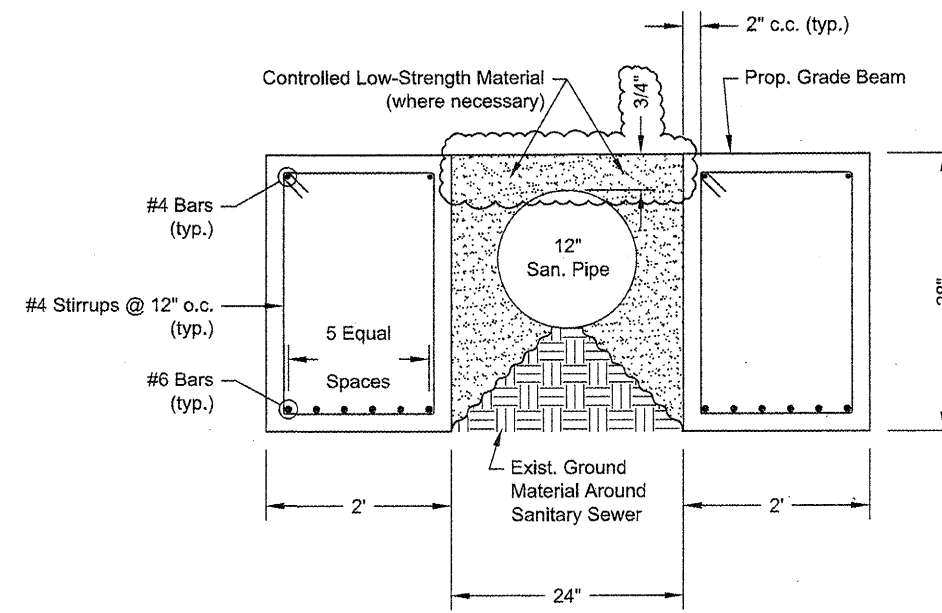


BARREL PLAN



END SECTION PLAN

GRATING FOR END SECTION
SEE STD 542311 FOR ADDITIONAL DETAILS



GRADE BEAM DETAIL

FILE NAME = 00140-321	USER NAME = Vogt, Jim	DESIGNED - BJG	REVISED - JUNE 1, 2012	STATE OF ILLINOIS DEPARTMENT OF TRANSPORTATION	DUAL PRECAST CONCRETE BOX CULVERTS 5'x3'			F.A.U. RTE.	SECTION	COUNTY	TOTAL SHEETS	SHEET NO.
	PLOT SCALE = 1:2	DRAWN - BJG	REVISED -					8801	05-00034-01-RP	JERSEY	117	76
	PLOT DATE = 6/1/2012	CHECKED - DLK	REVISED -					CONTRACT NO. 97371				
		DATE - 3/28/12	REVISED -					SCALE: NA SHEET NO. 76 OF 117 SHEETS STA. NA TO STA. NA				
								FED. ROAD DIST. NO. 8 ILLINOIS				