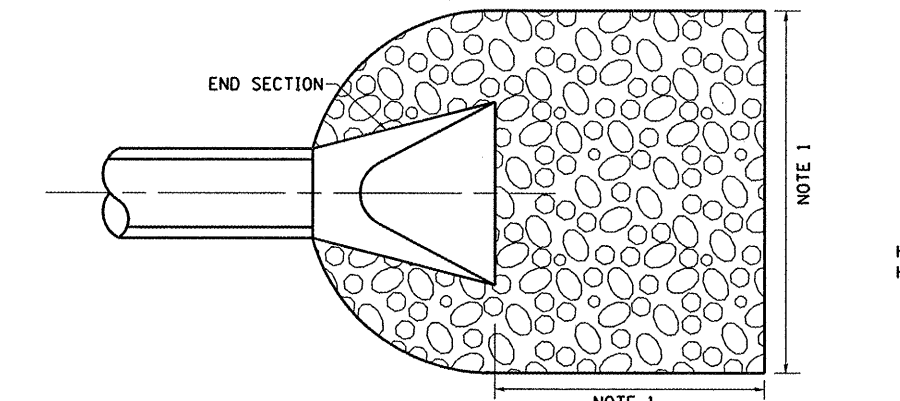
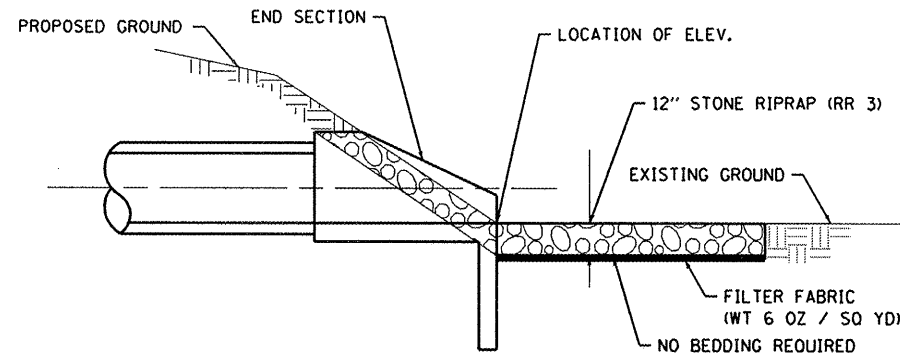
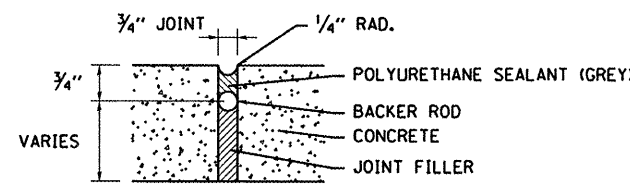


**PRIVATE ENTRANCE (P.E.) & COMMERCIAL ENTRANCE (C.E.)**  
(NOT TO SCALE)

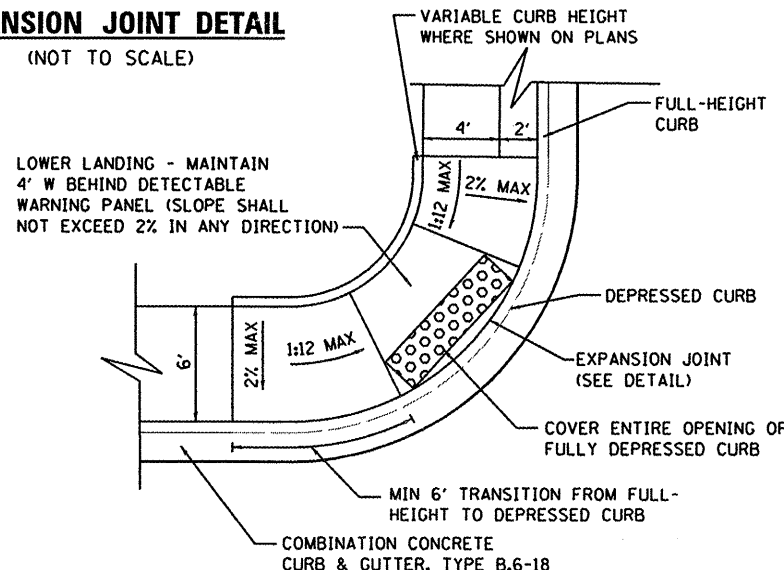


NOTE 1: SEE EROSION & SEDIMENT CONTROL SHEET FOR DIMENSIONS

**STONE RIPRAP DETAIL**  
(NOT TO SCALE)

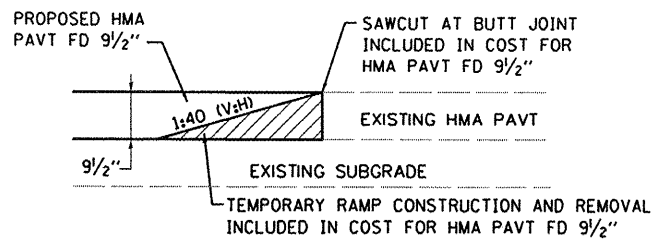


**EXPANSION JOINT DETAIL**  
(NOT TO SCALE)

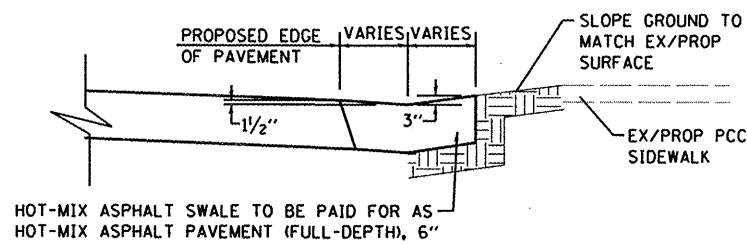


NOTES: 1) DETECTABLE WARNING PANELS SHALL BE PRECAST CONCRETE  
2) SEE HIGHWAY STANDARD 424011 FOR ADDITIONAL GUIDANCE

**SIDEWALK RAMP DETAIL**  
SOUTH ST  
(NOT TO SCALE)

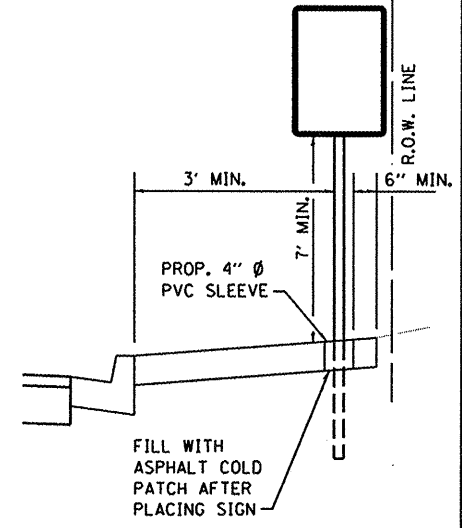


**BUTT JOINT DETAIL**  
(NOT TO SCALE)

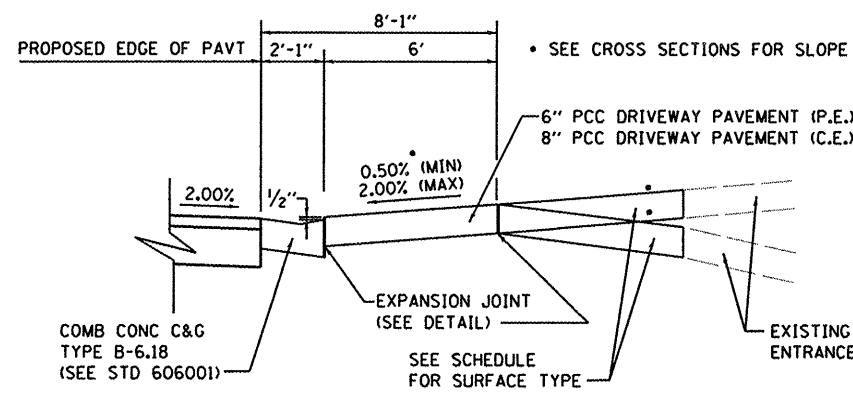


**HOT-MIX ASPHALT (HMA) SWALE**

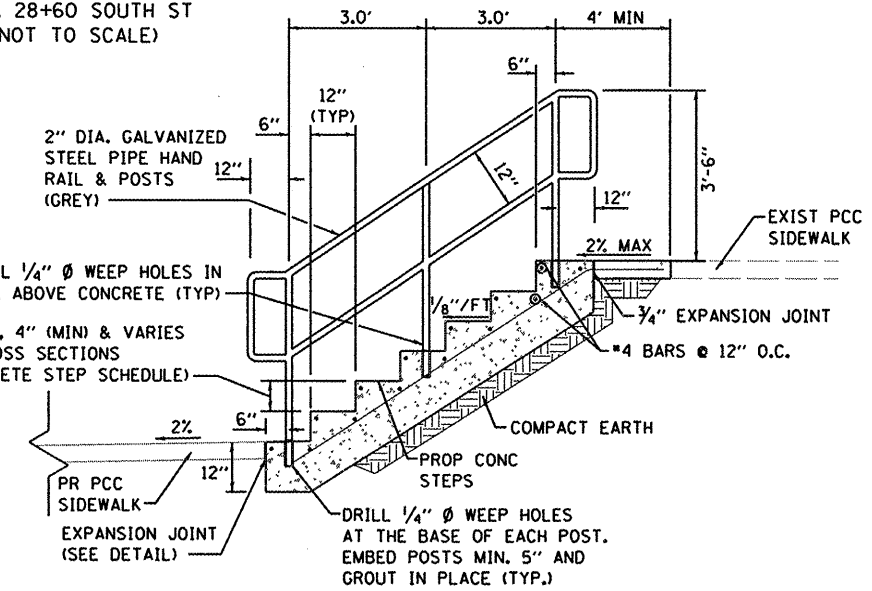
STA. 19+60 RT  
STA. 28+60 SOUTH ST  
(NOT TO SCALE)



**SIGN DETAIL**  
(NOT TO SCALE)



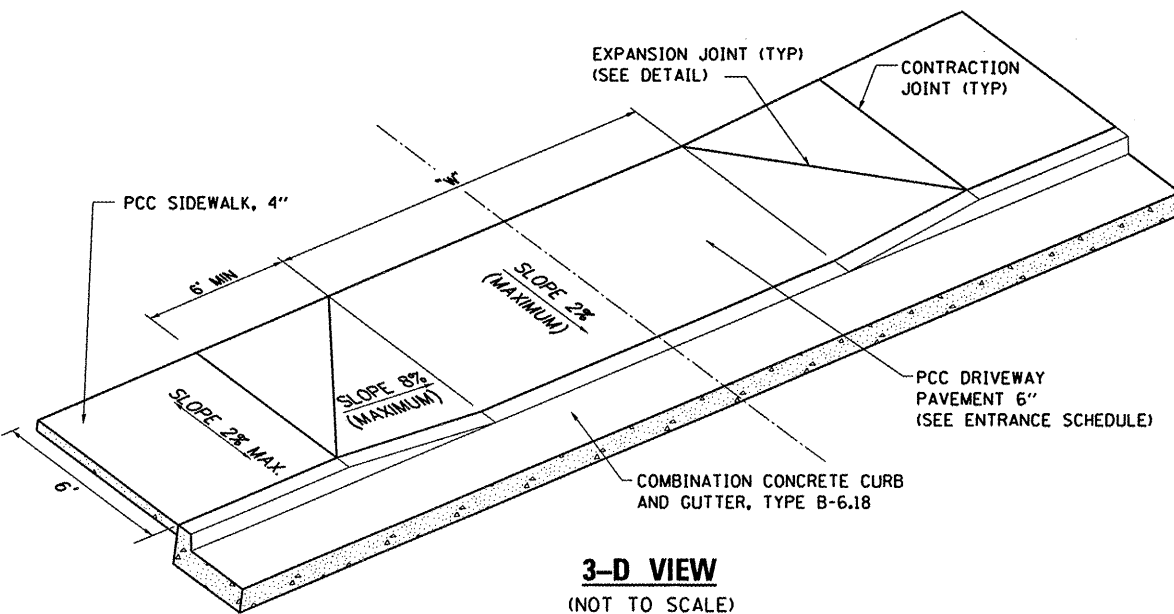
**SECTION A-A**  
(NOT TO SCALE)



**CONCRETE STEPS DETAIL**  
(NOT TO SCALE)

NOTES:

1. ALL EXCAVATION, GRADING, PREPARATION OF SUBGRADE, BACKFILLING, FURNISHING, AND PLACING ALL MATERIALS INCLUDING CONCRETE, REINFORCEMENT, EXPANSION JOINTS, AND SEALANT SHALL BE INCLUDED IN THE COST FOR CONCRETE STEPS.
2. DIMENSIONS FROM TREAD TO TREAD AND RISER TO RISER SHALL NOT VARY BY MORE THAN 1/4" PER SET OF STEPS. PLAN DIMENSIONS SHALL BE VERIFIED IN THE FIELD PRIOR TO CONSTRUCTION.
3. REINFORCING BARS SHALL BE EPOXY COATED. REINFORCEMENT WILL NOT BE PAID FOR SEPARATELY.
4. CONCRETE STEPS SHALL BE CONSTRUCTED OF CLASS SI CONCRETE.
5. A MINIMUM OF 2" SHALL BE MAINTAINED BETWEEN THE FACE OF CONCRETE AND THE NEAREST EDGE OF ALL REINFORCEMENT.
6. RAILING WILL BE PAID FOR SEPARATELY UNDER PIPE HANDRAIL.
7. PIPE HANDRAIL REQUIRED FOR CONCRETE STEPS WITH MORE THAN 1 RISER. RAILING ONLY REQUIRED FOR ONE SIDE OF STEPS.



**3-D VIEW**  
(NOT TO SCALE)

FILE NAME =	USER NAME = randy	DESIGNED -	REVISED -	STATE OF ILLINOIS DEPARTMENT OF TRANSPORTATION	CONSTRUCTION DETAILS	F.A.U. R.T.E.	SECTION	COUNTY	TOTAL SHEETS	SHEET NO.
ht:\p\28018\microstation\loadsheet\082818-sht-details.dgn		DRAWN -	REVISED -			9025	09-00091-00-PV	MADISON	35	19
	PLOT SCALE = 48.0000" / IN.	CHECKED -	REVISED -			S CLINTON ST RECONSTR - PH 1		CONTRACT NO. 97483		
	PLOT DATE = 4/9/2012	DATE -	REVISED -			ILLINOIS FED. AID PROJECT				