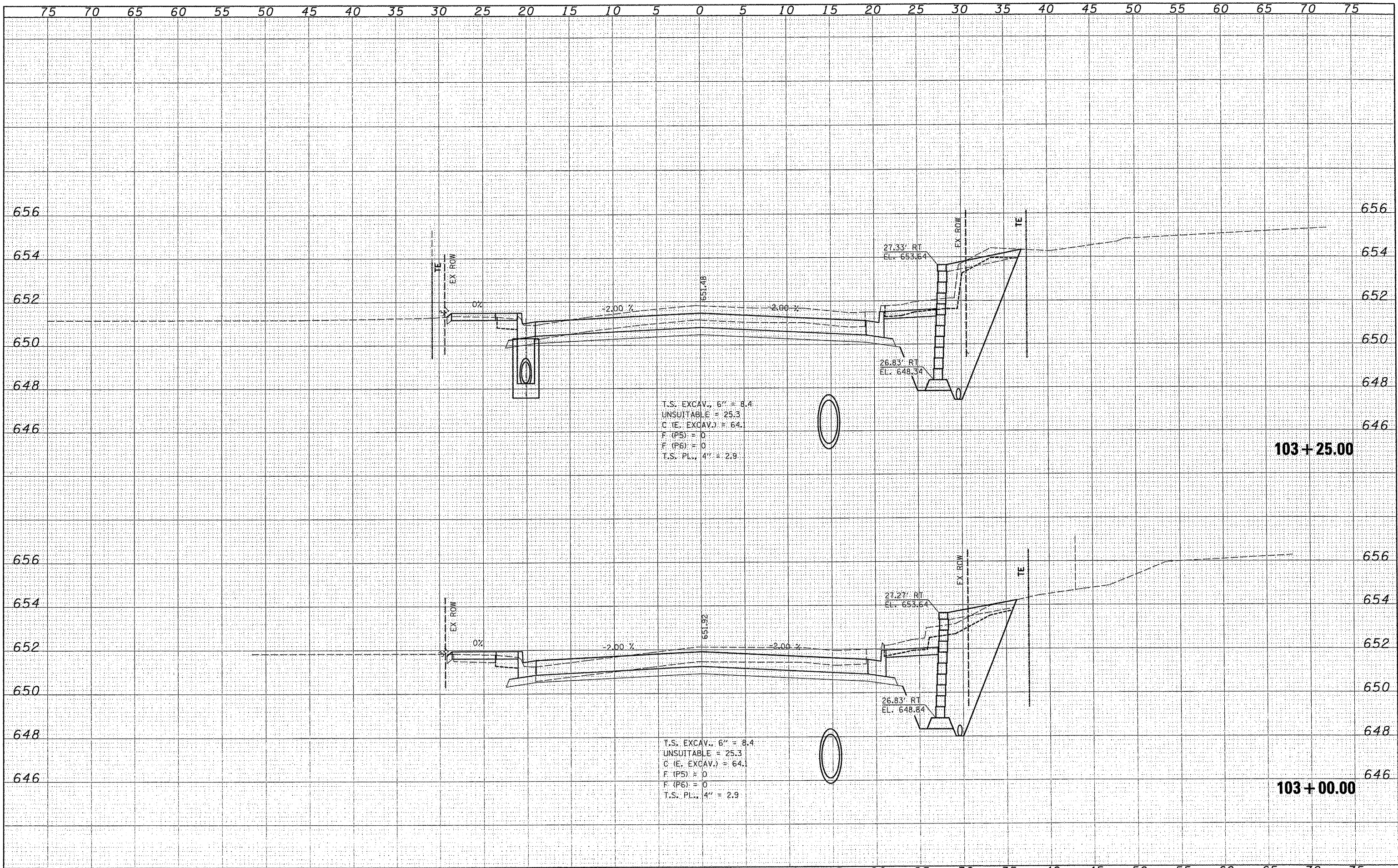


DATE	
BY	
FINAL SURVEY	
SURVEY PLOTTED	
NOTE BOOK	
AREAS CHECKED	
NO.	

DATE	
BY	
ORIGINAL SURVEY	
SURVEY PLOTTED	
NOTE BOOK	
AREAS CHECKED	
NO.	



FILE NAME =	USER NAME = USERDESCR	DESIGNED -	REVISED -	STATE OF ILLINOIS DEPARTMENT OF TRANSPORTATION	F.A.U. 9315 (MOORE STREET)	F.A.U. RTE.	SECTION	COUNTY	TOTAL SHEETS	SHEET NO.	
H:\6185\Waterloo\MooreStPhase1\VCADD-ROADWAY\6185-2222-1100_F.dgn		DRAWN -	REVISED -			9315	06-00032-03-PV	MONROE	93	61	
PLOT SCALE = 5.2222' / IN.		CHECKED -	REVISED -			CONTRACT NO. 97488					
PLOT DATE = 3/21/2012		DATE -	REVISED -			FED. ROAD DIST. NO. [ILLINOIS] FED. AID PROJECT					
SCALE:					SHEET NO.	OF	SHEETS	STA. 103+00.00 TO STA. 103+25.00			