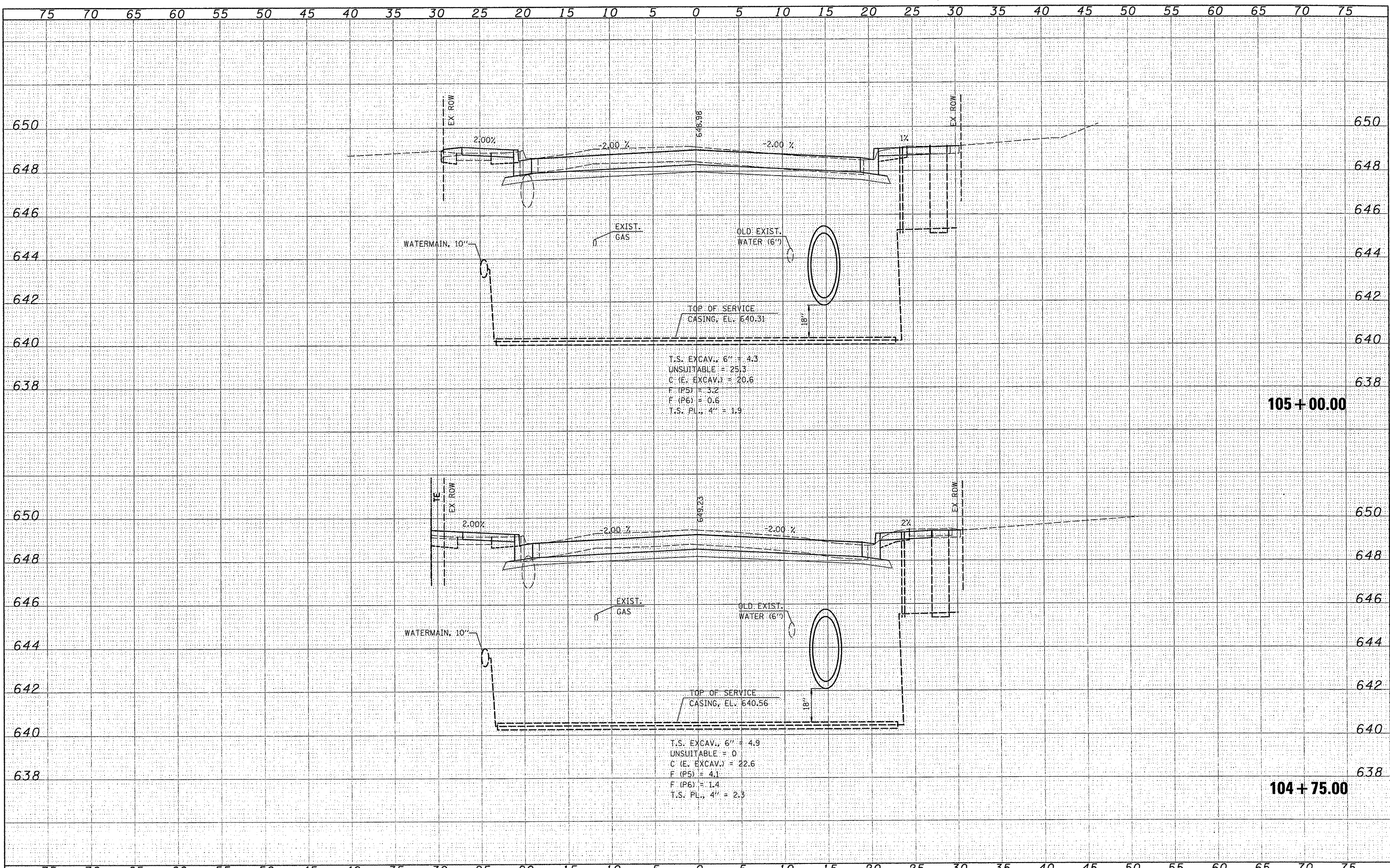


DATE	
BY	
DESIGNED	
DRAWN	
CHECKED	
DATE	
FILE NAME	
USER NAME	
DESIGNED	
DRAWN	
CHECKED	
DATE	

DATE	
BY	
DESIGNED	
DRAWN	
CHECKED	
DATE	
FILE NAME	
USER NAME	
DESIGNED	
DRAWN	
CHECKED	
DATE	



FILE NAME	USER NAME	DESIGNED	REVISED	<b>STATE OF ILLINOIS</b> <b>DEPARTMENT OF TRANSPORTATION</b>	<b>F.A.U. 9315 (MOORE STREET)</b>	F.A.U. RTE.	SECTION	COUNTY	TOTAL SHEETS	SHEET NO.
H:\6185\Water\loc\Map\85\Phase1\VCADD-ROADWAY\6185-ks12222-11192.F.dgn		DRAWN	REVISED			9315	06-00032-03-PV	MONROE	93	65
PLOT SCALE = 5/2222' = 1/4"		CHECKED	REVISED			CONTRACT NO. 97488				
PLOT DATE = 3/21/2012		DATE	REVISED			FED. ROAD DIST. NO. ILLINOIS FED. AID PROJECT				
SCALE:					SHEET NO. OF SHEETS STA. 104+75.00 TO STA. 105+00.00					