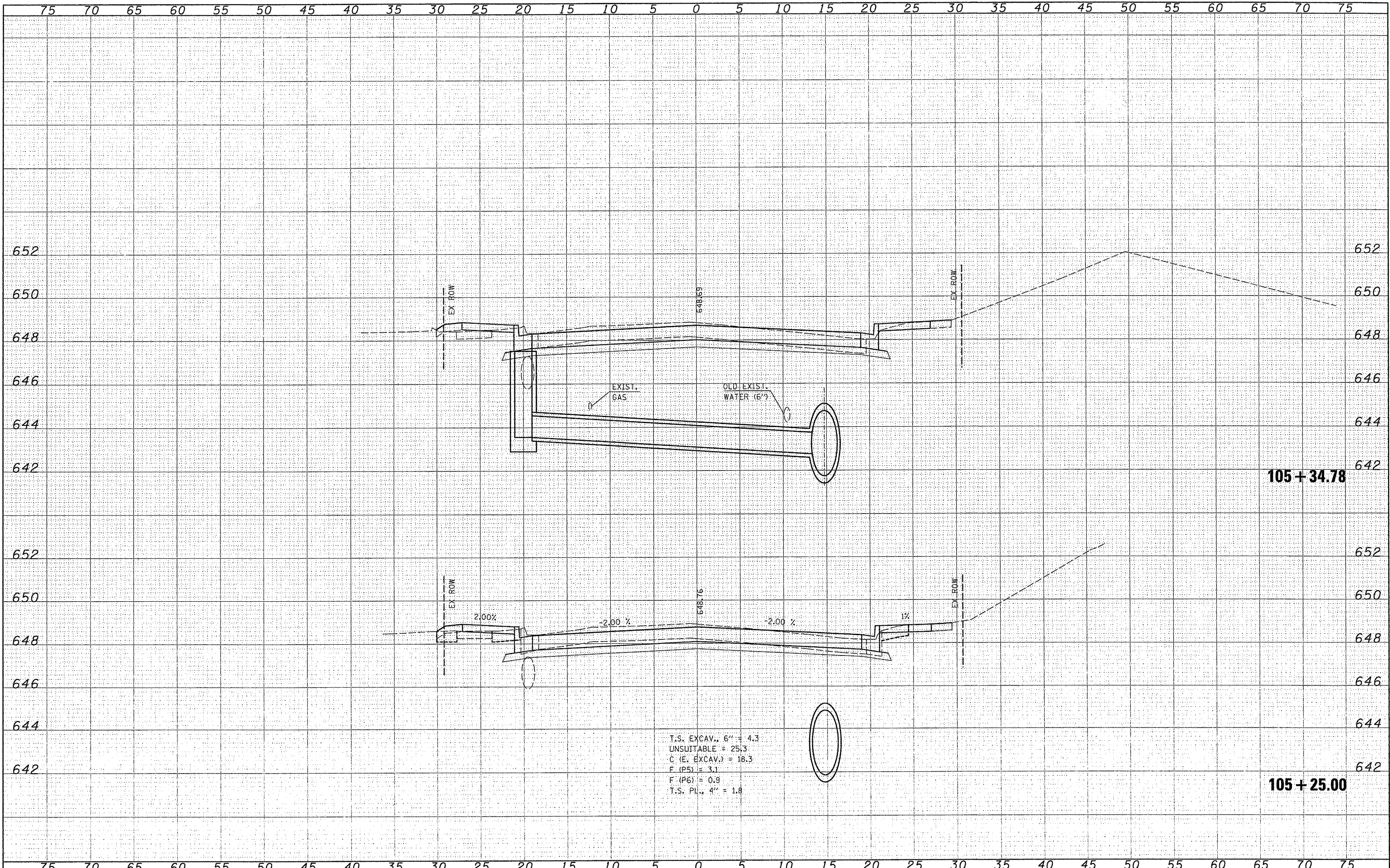


FINAL	SURVEYED	DATE
SYMBOL	PLOTTED	BY
NOTE BOOK	TEMPLATE	
AREAS		
NO.		

ORIGINAL	SURVEYED	DATE
SYMBOL	PLOTTED	BY
NOTE BOOK	TEMPLATE	
AREAS		
NO.		



T.S. EXCAV., 6" = 4.3  
 UNSUITABLE = 25.3  
 C (E. EXCAV.) = 18.3  
 F (P5) = 3.1  
 F (P6) = 0.9  
 T.S. PL., 4" = 1.8

105+34.78

105+25.00

FILE NAME: \\s:\8185\water\100\cores\Phase V\CADD\ROADWAY\105+25.00-105+35.46.dwg  
 USER NAME: USERDESCR.  
 PLOT SCALE: 5.2222' / IN.  
 PLOT DATE: 3/21/2012

DESIGNED -	REVISED -
DRAWN -	REVISED -
CHECKED -	REVISED -
DATE -	REVISED -

STATE OF ILLINOIS  
 DEPARTMENT OF TRANSPORTATION

F.A.U. 9315 (MOORE STREET)

SCALE: SHEET NO. OF SHEETS STA. 105+25.00 TO STA. 105+35.46

F.A.U. RTE.	SECTION	COUNTY	TOTAL SHEETS	SHEET NO.
9315	06-00032-03-PV	MONROE	93	66
FED. ROAD DIST. NO. ILLINOIS FED. AID PROJECT			CONTRACT NO. 97488	