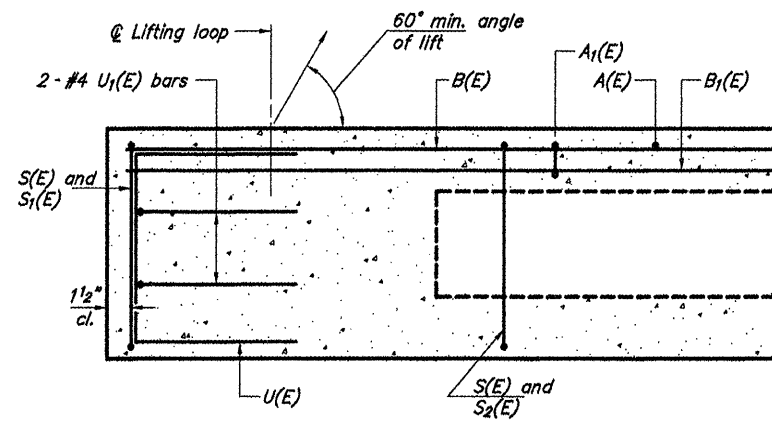
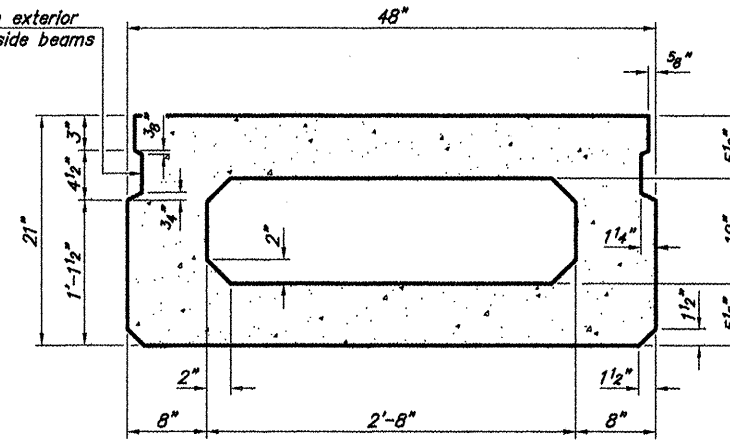


ROUTE	SECTION	COUNTY	TOTAL SHEETS	SHEET NO
TR 93	00-01199-00-BR	MASSAC	18	9
PROJECT NO. BROS-127(18)			CONTRACT NO. 99438	

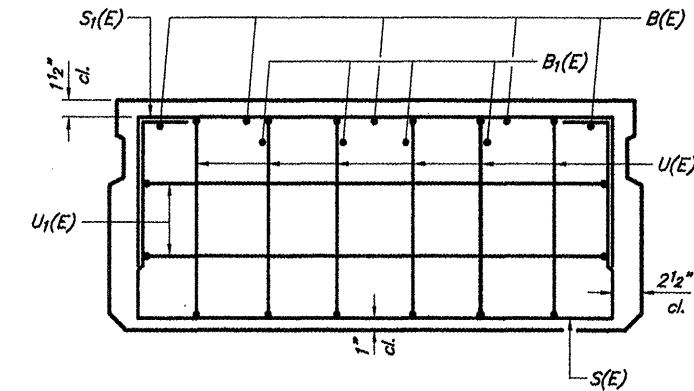


SECTION C-C

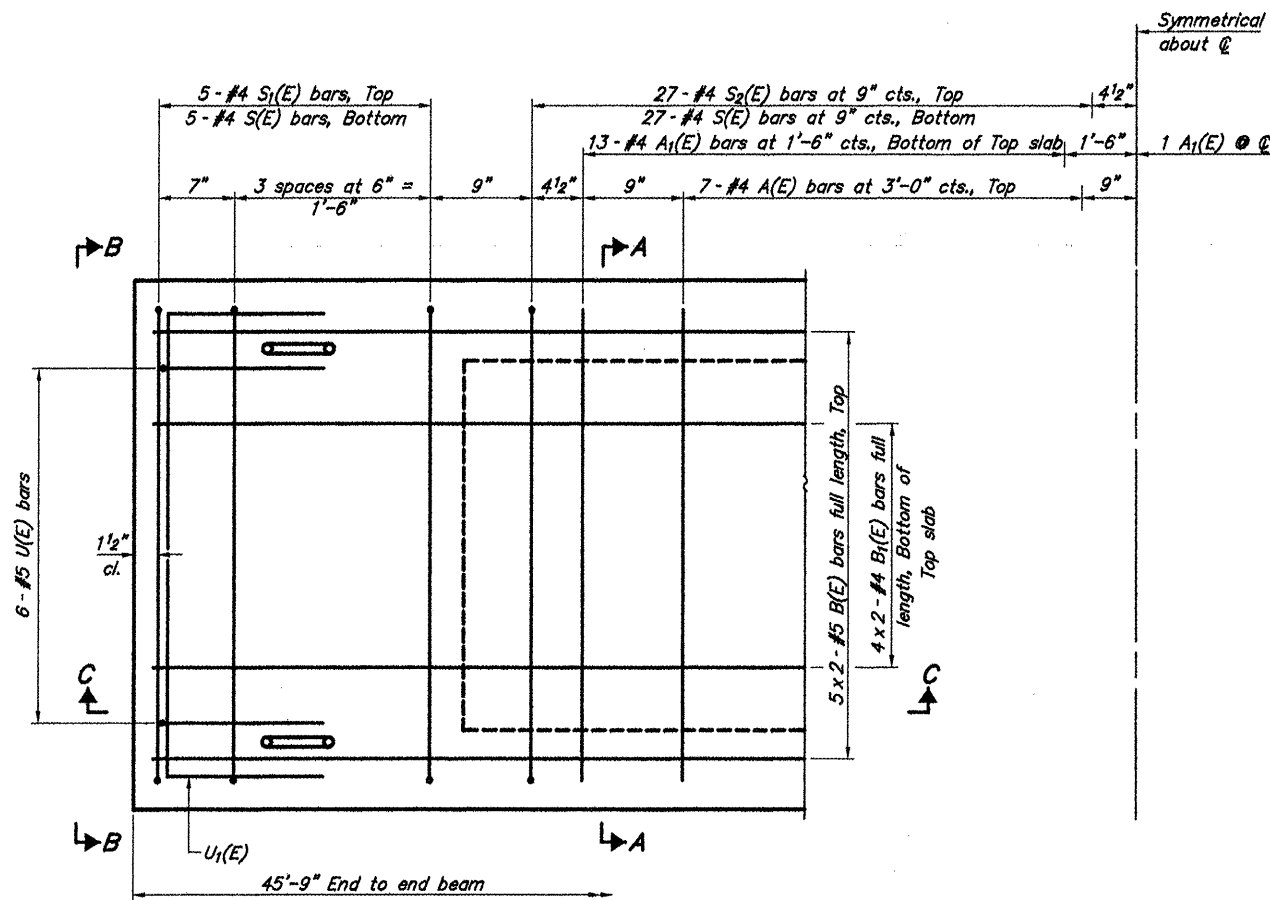
Omit key on exterior face of outside beams



SECTION A-A
(Showing dimensions)

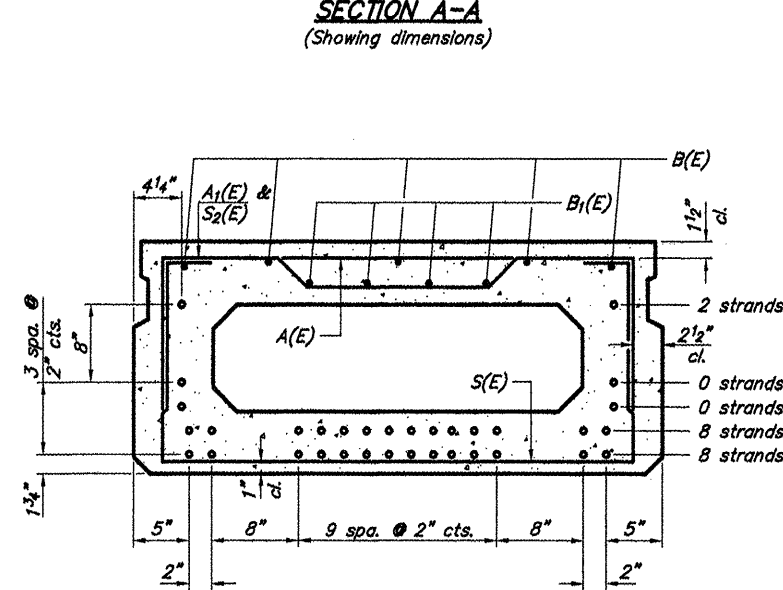


VIEW B-B



PLAN VIEW

Note: Spacing of S(E) and S2(E) bars may be adjusted up to 4\"/>



SECTION A-A

(Showing reinforcement and permissible strand locations)

Note: Place the number of strands specified in each row symmetrically about the centerline of beam in the permissible strand locations shown.

BAR LIST

ONE BEAM ONLY

(For information only)

Bar	No.	Size	Length	Shape
A(E)	14	#4	3'-7"	—
A1(E)	27	#4	3'-10"	~
B(E)	10	#5	23'-10"	—
B1(E)	8	#4	23'-7"	—
S(E)	64	#4	7'-5"	□
S1(E)	10	#4	5'-11"	□
S2(E)	54	#4	6'-2"	□
U(E)	12	#5	4'-0"	□
U1(E)	4	#4	6'-0"	□

Bar Laps #4 bars = 1'-8"
#5 bars = 2'-2"

21" X 48" PPC DECK BEAM - SPAN 3
TOWNSHIP ROUTE 93 (SEILBECK ROAD)
IC RAILROAD
SECTION 00-01199-00-BR
MASSAC COUNTY
STRUCTURE NO. 064-3141