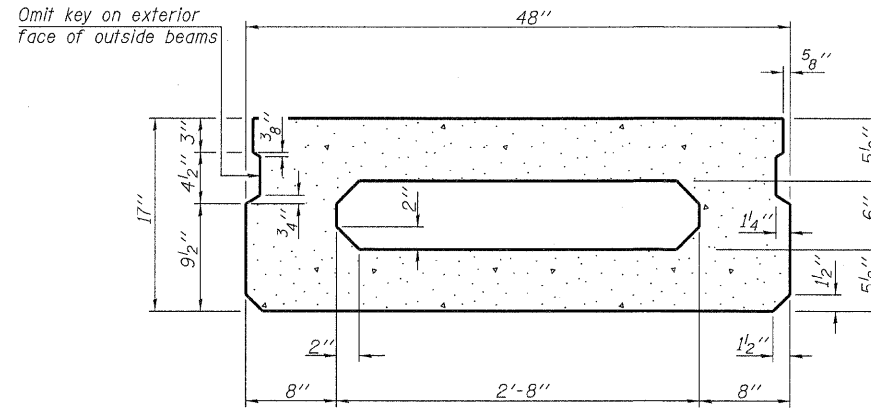
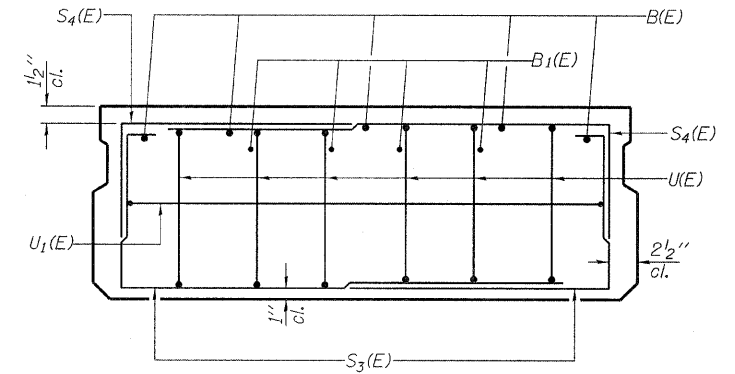


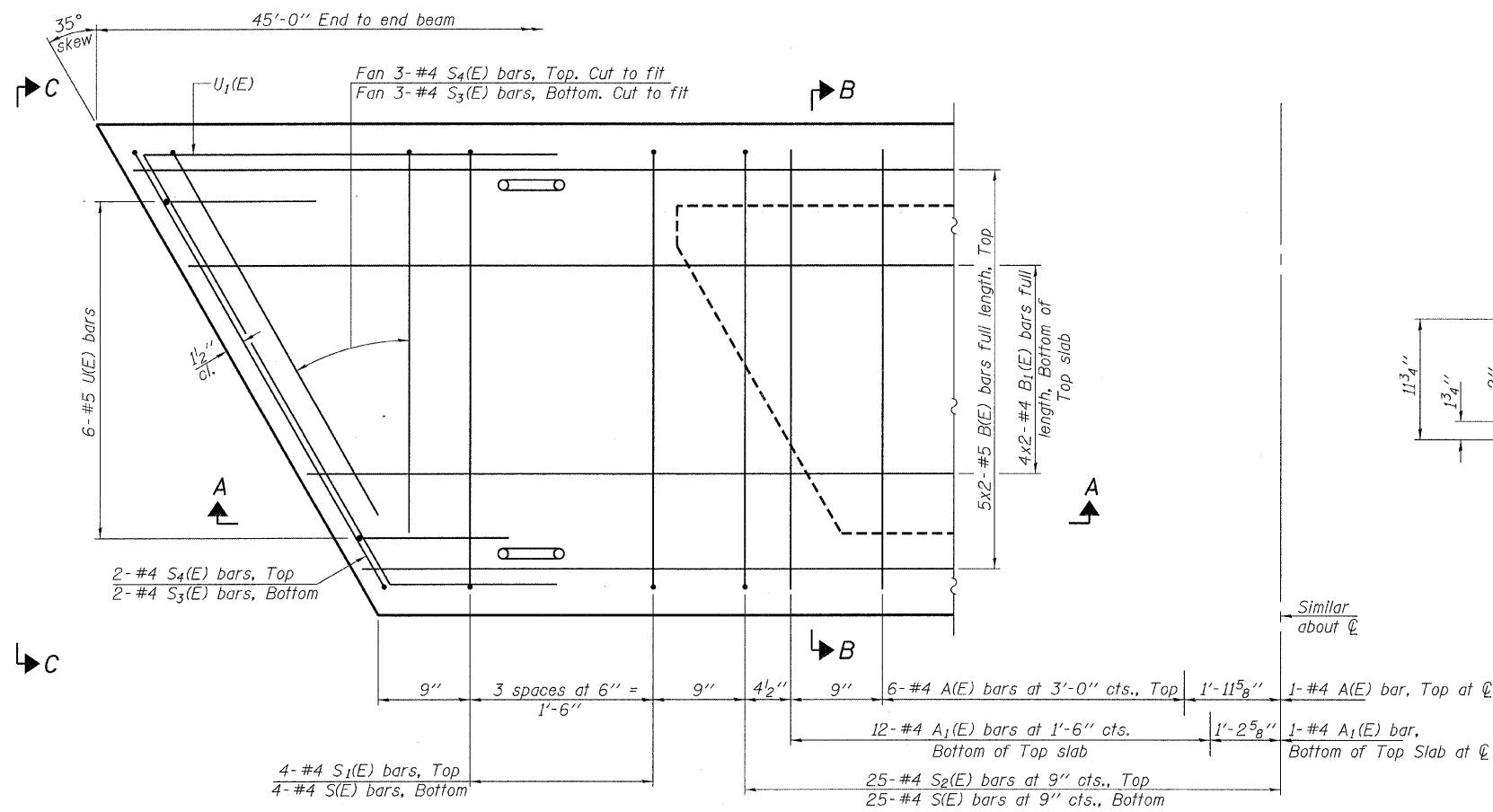
SECTION A-A



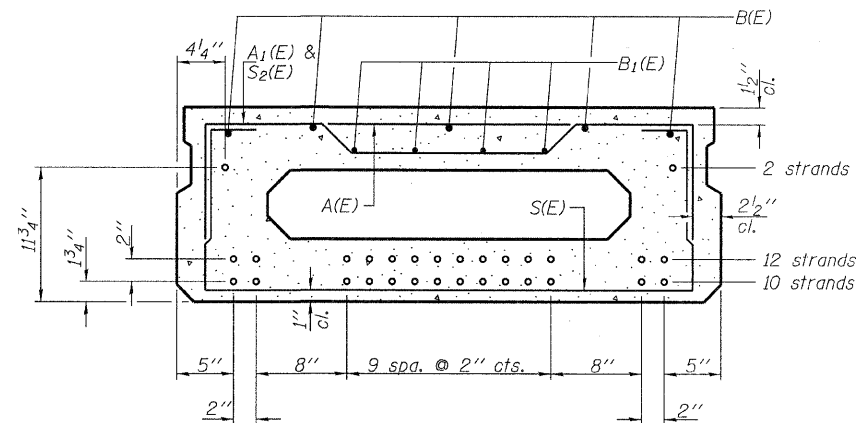
SECTION B-B
(Showing dimensions)



VIEW C-C



PLAN VIEW



SECTION B-B

(Showing reinforcement and permissible strand locations)

Note: Place the number of strands specified in each row symmetrically about the centerline of beam in the permissible strand locations shown.

BAR LIST
ONE BEAM ONLY
(For information only)

Bar	No.	Size	Length	Shape
A(E)	13	#4	3'-7"	—
A1(E)	25	#4	3'-10"	—
B(E)	10	#5	23'-7"	—
B1(E)	8	#4	23'-4"	—
S(E)	58	#4	6'-9"	□
S1(E)	8	#4	5'-3"	□
S2(E)	50	#4	5'-6"	□
S3(E)	10	#4	4'-8"	□
S4(E)	10	#4	3'-11"	□
U(E)	12	#5	3'-8"	□
U1(E)	2	#4	9'-3"	□

Note: See sheet 5 & 6 of 11 for additional details and Bill of Material.

Notes:
Spacing of S(E) and S2(E) bars may be adjusted up to 4" in the immediate area of the transverse tie diaphragms to miss the block outs for the transverse ties.
Bars indicated thus 5x2-#5 etc. indicates 5 lines of bars with 2 lengths per line.

MINIMUM BAR LAP

#4 bar = 2'-0"
#5 bar = 2'-6"

PD-1748-R

7-1-10

FILE NAME = 100238-shr-bridge.dgn	USER NAME =	DESIGNED - J.W.F.	REVISED -
HAMPTON, LENZINI AND RENWICK, INC. 505 STEVENSON DRIVE, SUITE 201 SPRINGFIELD, ILLINOIS 62703		CHECKED - S.W.M.	REVISED -
ILLINOIS PROFESSIONAL DESIGN FIRM LS / PE / SE CORP. 184-00089	PLOT SCALE =	DRAWN - D.T.M.	REVISED -
	PLOT DATE = 3/1/2012	CHECKED - S.W.M.	REVISED -

STATE OF ILLINOIS
JEFFERSON COUNTY HIGHWAY DEPARTMENT

17" x 48" PPC DECK BEAM - SPAN 2
STRUCTURE NO. 041-3750

SHEET NO. 4 OF 11 SHEETS

T.R.	SECTION	COUNTY	TOTAL SHEETS	SHEET NO.
364	10-04106-00-BR	JEFFERSON	27	20
DODDS ROAD DISTRICT		CONTRACT NO. 99472		
[ILLINOIS] FED. AID PROJECT BR05-0081067				