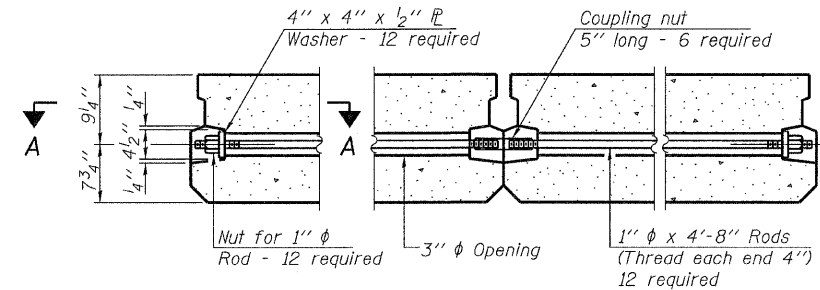
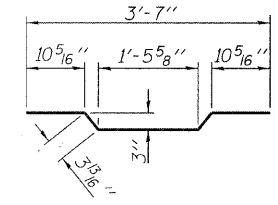


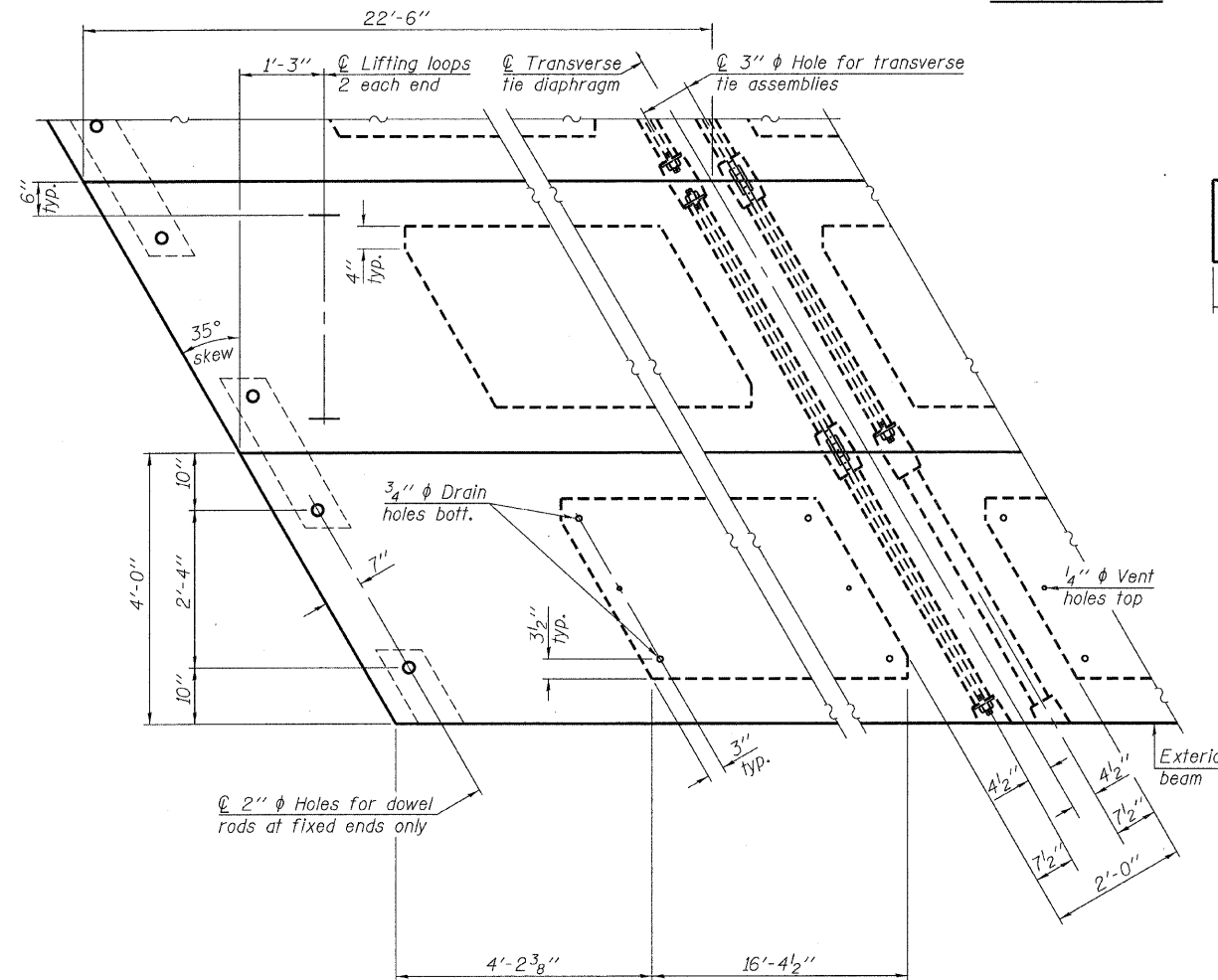
SECTION A-A



TYPICAL TRANSVERSE TIE ASSEMBLY

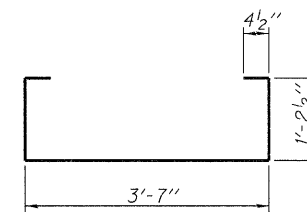


BAR A₁(E)

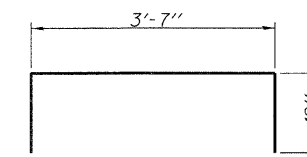


PLAN VIEW

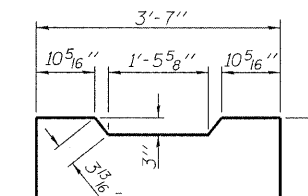
Note: Connect beams in pairs with the transverse tie configuration shown.



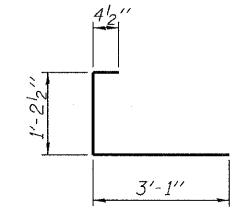
BAR S(E)



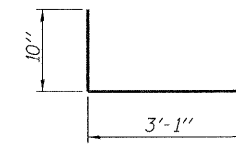
BAR S₁(E)



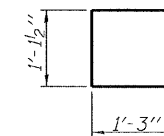
BAR S₂(E)



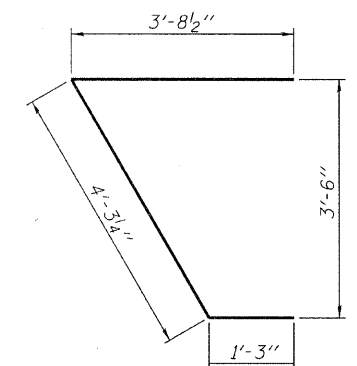
BAR S₃(E)



BAR S₄(E)



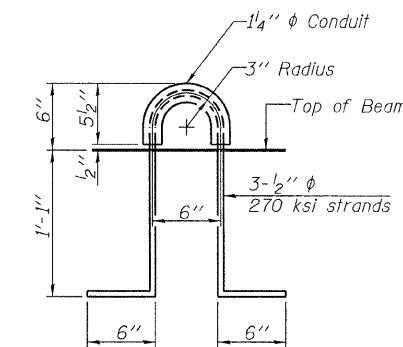
BAR U(E)



BAR U₁(E)

NOTES

- 1. Prestressing steel shall be uncoated high strength, low relaxation 7-wire strand, Grade 270. The nominal diameter shall be 1/2" and the nominal cross-sectional area shall be 0.153 sq. in.
- 2. The 1" ϕ rods in the transverse tie assembly shall be tightened to a snug fit and the threads set. Pockets on exterior faces of bridge shall be filled with grout after transverse tie assembly is in place.
- 3. Reinforcement bars shall conform to ASTM A 706, Grade 60. (See Special Provisions).
- 4. Two 1/8" fabric adjusting shims of the dimensions of the exterior bearing pad shall be provided for each bearing pad location.
- 5. A minimum 2 1/2" ϕ lifting pin shall be used to engage the lifting loops during handling.
- 6. Corrosion Inhibitor, per Article 1020.05(b)(12) and 1021.06 of the Standard Specifications, shall be used in the concrete for precast prestressed concrete deck beams.
- 7. Compressive strength of prestressed concrete, f'_c , shall be 6000 psi.
- 8. Compressive strength of prestressed concrete at release, f'_{cl} , shall be 5000 psi.



LIFTING LOOP DETAIL

BILL OF MATERIAL

Precast Prestressed Conc. Deck Bms. (17" depth)	Sq. Ft.	1,260
---	---------	-------

PD-1748-RD

7-1-10

FILE NAME = 100238-shr-bridge.dgn	USER NAME =	DESIGNED - J.W.F.	REVISED -
HAMPTON, LENZINI AND RENWICK, INC.		CHECKED - S.W.M.	REVISED -
3085 STEVENSON DRIVE, SUITE 201 SPRINGFIELD, ILLINOIS 62703	PLOT SCALE =	DRAWN - D.T.M.	REVISED -
ILLINOIS PROFESSIONAL DESIGN FIRM LS / PE / SE CORP. 184-000859	PLOT DATE = 3/1/2012	CHECKED - S.W.M.	REVISED -

STATE OF ILLINOIS
JEFFERSON COUNTY HIGHWAY DEPARTMENT

17" x 48" PPC DECK BEAM DETAILS - SPAN 2
STRUCTURE NO. 041-3750

SHEET NO. 5 OF 11 SHEETS

T.R.	SECTION	COUNTY	TOTAL SHEETS	SHEET NO.
364	10-04106-00-BR	JEFFERSON	27	21
DODDS ROAD DISTRICT		CONTRACT NO. 99472		
[ILLINOIS] FED. AID PROJECT BR05-00810671				