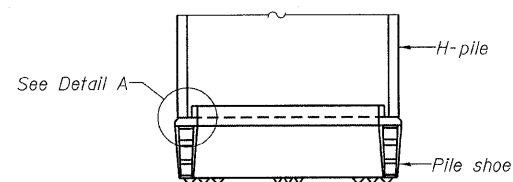
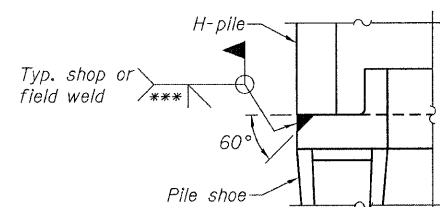


**STEEL PILE TABLE**

Designation	Depth d	Flange width b <sub>f</sub>	Web and Flange thickness t	Encasement diameter A
HP 14x117	14 1/4"	14 7/8"	1 3/16"	30"
x102	14"	14 3/4"	1 1/16"	30"
x89	13 7/8"	14 3/4"	5/8"	30"
x73	13 5/8"	14 5/8"	1/2"	30"
HP 12x84	12 1/4"	12 1/4"	1 1/16"	24"
x74	12 5/8"	12 1/4"	5/8"	24"
x63	12"	12 5/8"	1/2"	24"
x53	11 3/4"	12"	7/16"	24"
HP 10x57	10"	10 1/4"	9/16"	24"
x42	9 3/4"	10 5/8"	7/16"	24"
HP 8x36	8"	8 5/8"	7/16"	18"

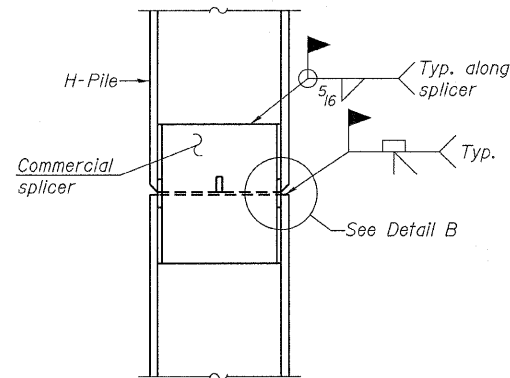


**ELEVATION**

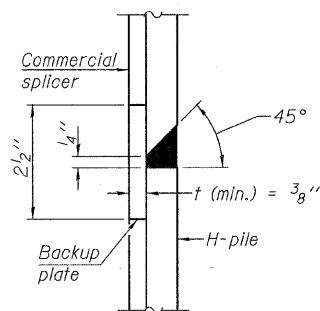


**DETAIL A**

**H-PILE SHOE ATTACHMENT**

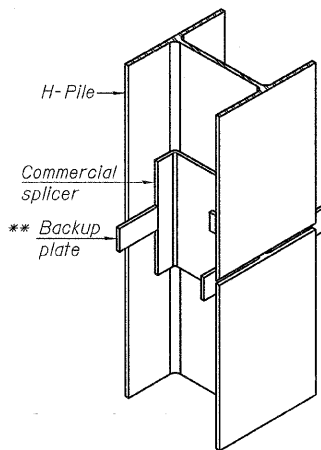


**ELEVATION**

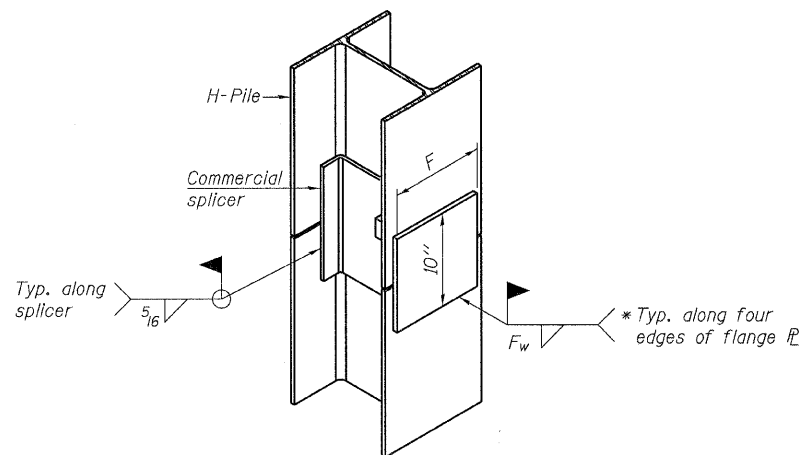


**DETAIL "B"**

**WELDED COMMERCIAL SPLICE**



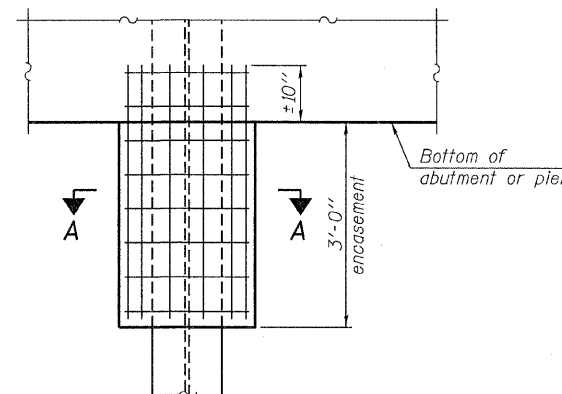
**ISOMETRIC VIEW**



**ISOMETRIC VIEW**

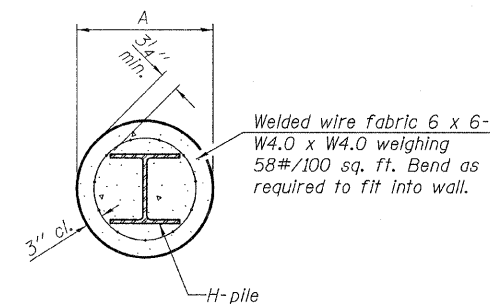
**WELDED COMMERCIAL SPLICE ALTERNATE**

- \* Interrupt welds 1/4" from end of web and/or each flange.
- \*\* Remove portions of backup plates that extend outside the flanges.
- \*\*\* Weld size per pile shoe manufacturer (5/16" min.).



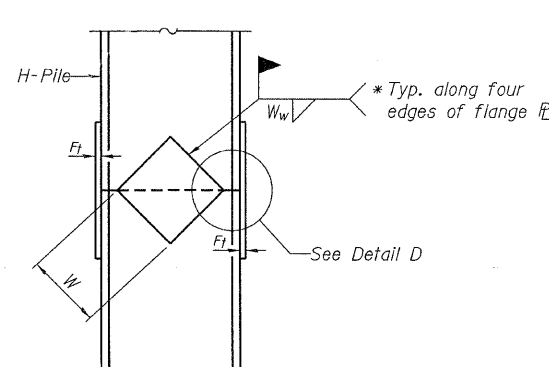
**ELEVATION**

**PILE ENCASEMENT**

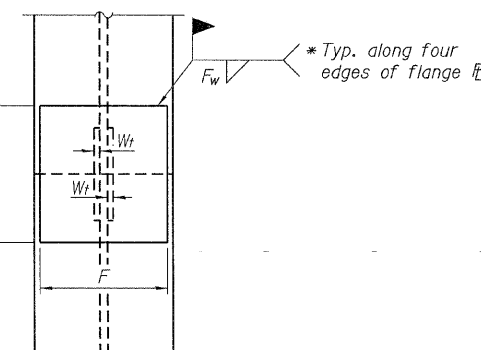


**SECTION A-A**

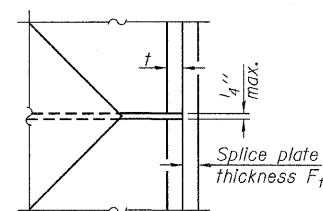
Note:  
Forms for encasement may be omitted when soil conditions permit.



**ELEVATION**



**END VIEW**



**DETAIL D**

**WELDED PLATE FIELD SPLICE**

Designation	F	F <sub>t</sub>	F <sub>w</sub>	W	W <sub>t</sub>	W <sub>w</sub>
HP 14x117	12 1/2"	1"	7/8"	7 3/4"	5 5/8"	1/2"
x102	12 1/2"	7/8"	3/4"	7 3/4"	5 5/8"	1/2"
x89	12 1/2"	3/4"	11/16"	7 3/4"	5 5/8"	1/2"
x73	12 1/2"	5/8"	9/16"	7 3/4"	5 5/8"	1/2"
HP 12x84	10"	7/8"	11/16"	6 1/2"	5 5/8"	1/2"
x74	10"	7/8"	11/16"	6 1/2"	5 5/8"	1/2"
x63	10"	5/8"	1/2"	6 1/2"	1/2"	3/8"
x53	10"	5/8"	1/2"	6 1/2"	1/2"	3/8"
HP 10x57	8"	3/4"	9/16"	5 1/4"	1/2"	3/8"
x42	8"	5/8"	9/16"	5 1/4"	1/2"	3/8"
HP 8x36	7"	5/8"	7/16"	4 1/4"	1/2"	3/8"

Note:  
The steel H-piles shall be according to AASHTO M270 Grade 50.

F-HP 7-1-10

FILE NAME = 100239-eh-t-bridge.dgn	USER NAME =	DESIGNED - J.W.F.	REVISED -	<b>STATE OF ILLINOIS JEFFERSON COUNTY HIGHWAY DEPARTMENT</b>	<b>HP PILE DETAILS STRUCTURE NO. 041-3750</b>	T.R.	SECTION	COUNTY	TOTAL SHEETS	SHEET NO.	
<b>HAMPTON, LENZINI AND RENWICK, INC.</b> 308 STEVENSON DRIVE, SUITE 201 SPRINGFIELD, ILLINOIS 62763	PLOT SCALE =	CHECKED - S.W.M.	REVISED -			364	10-04106-00-BR	JEFFERSON	27	26	
<b>ILR</b> ILLINOIS PROFESSIONAL DESIGN FIRM 18 / PE / SE CORP. 184-000939	PLOT DATE = 3/1/2012	DRAWN - D.T.M.	REVISED -			<b>CONTRACT NO. 99472</b>					
		CHECKED - S.W.M.	REVISED -			ILLINOIS FED. AID PROJECT BROS-00810671					
						SHEET NO. 10 OF 11 SHEETS					