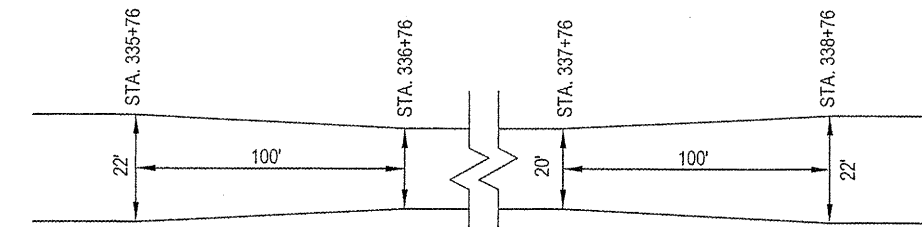
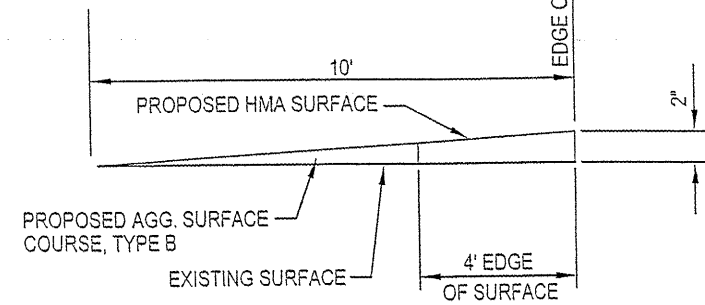
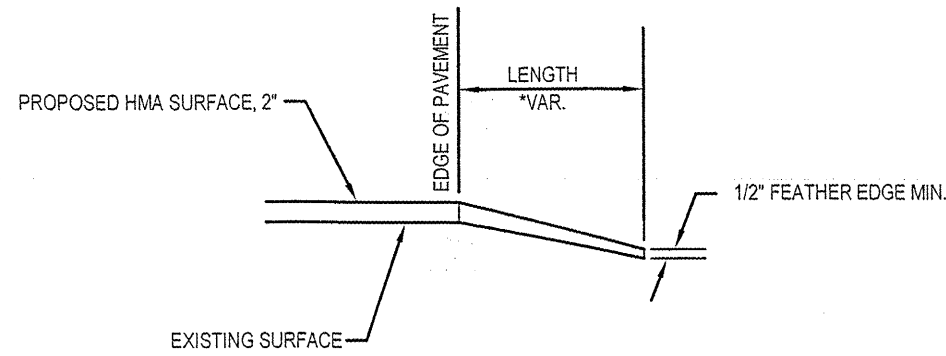
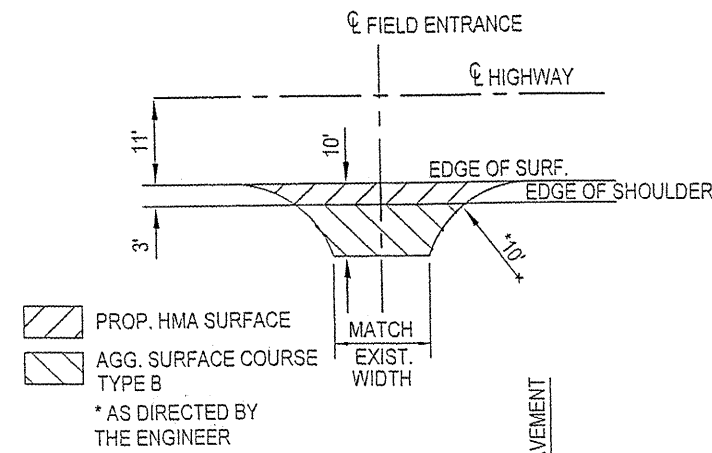
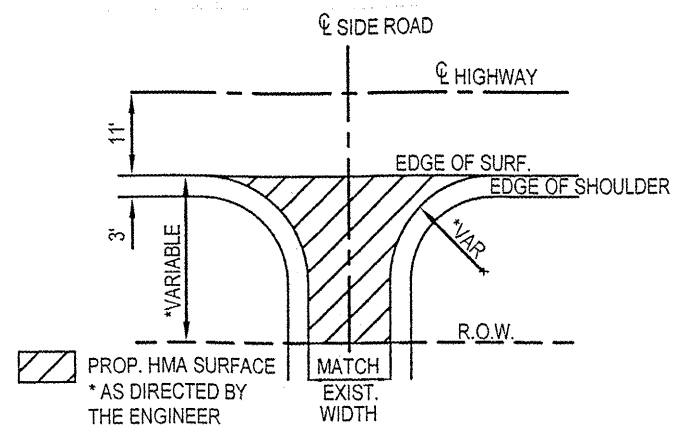


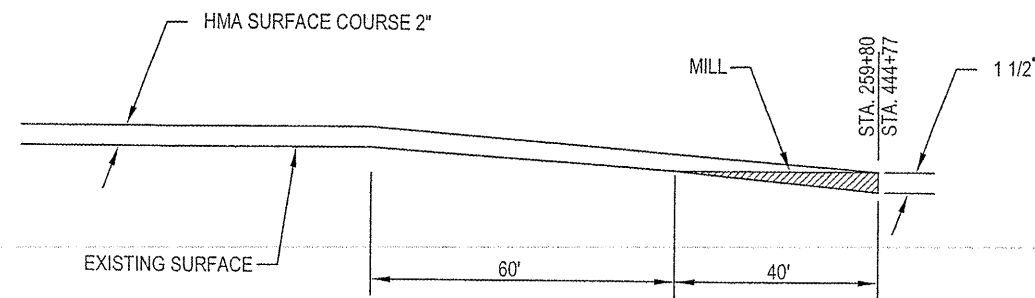
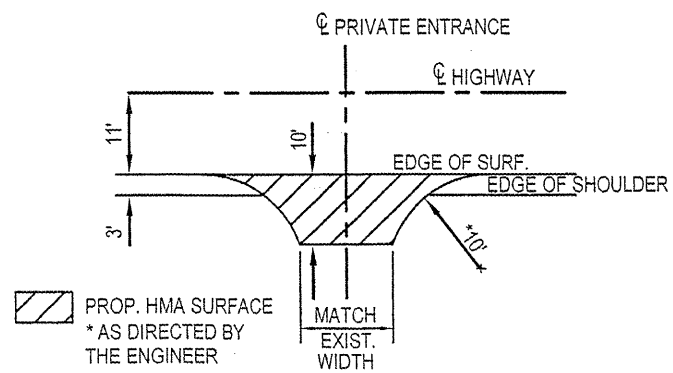
ROUTE	SECTION	COUNTY	TOTAL SHEETS	SHEET NO.
FAS 868	07-00/07-00-RS	FRANKLIN	10	3
CONTRACT No. 99473				



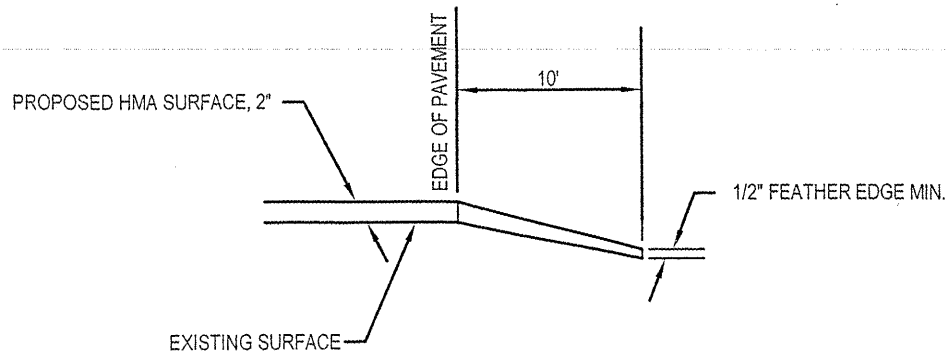
SIDEROAD DETAILS

FIELD ENTRANCE DETAILS

TAPER TO NARROW PAVEMENT



BUTT JOINT



PRIVATE AND COMMERCIAL ENTRANCE DETAILS

STA. 259+80 TO STA. 444+77
MISCELLANEOUS DETAILS