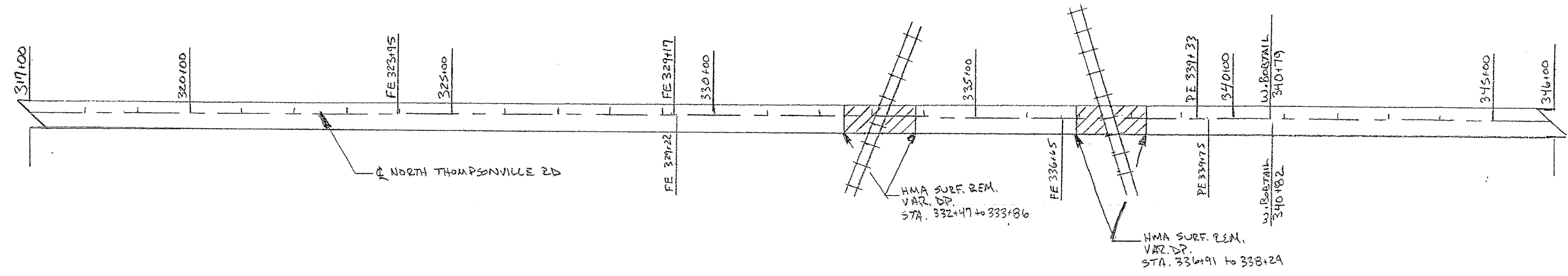
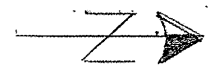
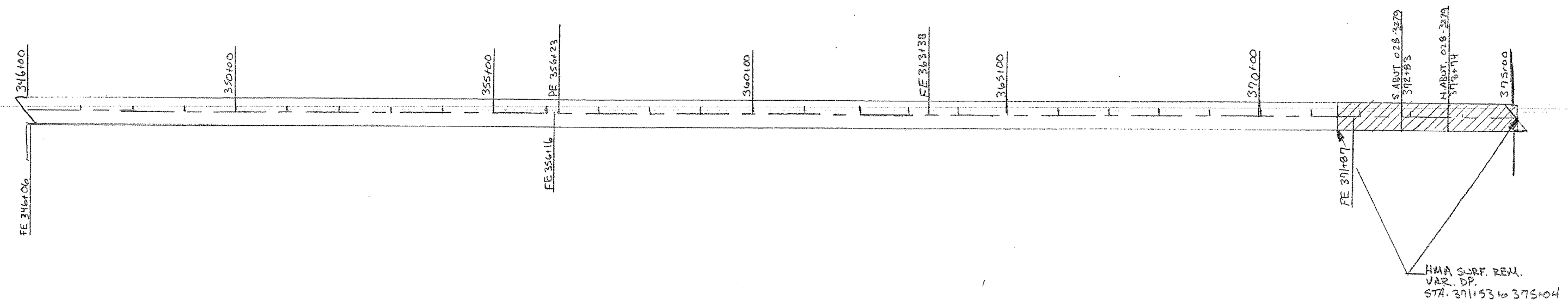
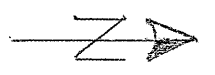


SCALE: 1" = 200'

ROUTE	SECTION	COUNTY	TOTAL SHEETS	SHEET NO.
FAS 868	07-00167-00-PS	FRANKLIN	10	7
CONTRACT No.: 99473				



SCALE: 1" = 200'



PLAN
STATION 317+00 TO 375+00