

**CA013**

REVISIONS		
NUMBER	BY	DATE
1	WDP	6-7-12

0 1 2  
 THIS BAR IS EQUAL TO 2"  
 AT FULL SCALE (34X22).



**SPRINGFIELD AIRPORT AUTHORITY  
 ABRAHAM LINCOLN CAPITAL AIRPORT  
 SPRINGFIELD, ILLINOIS**

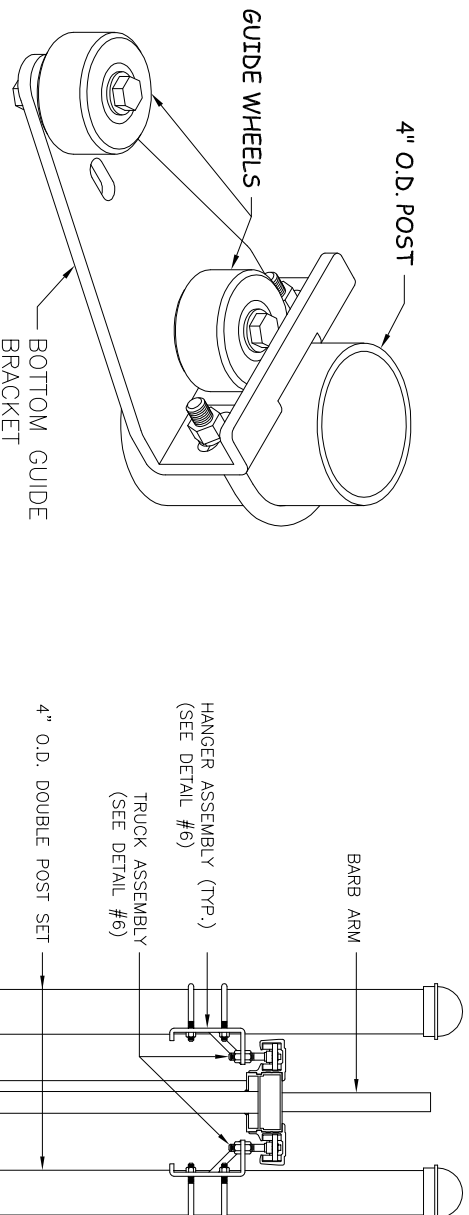
**REHABILITATE GOLF RAMP & HANGAR TAXIWAYS - PHASE 2**

**ELECTRICAL GATE DETAILS 2**

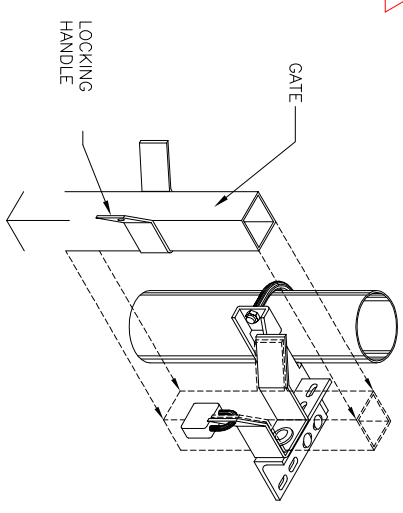
© Copyright CMT, Inc.

**CMT**  
 CRAWFORD, MURPHY & TILLY, INC.  
 CONSULTING ENGINEERS  
 License No. 184-000613

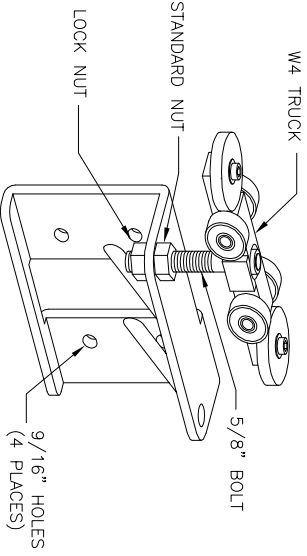
DESIGN BY:	RLV/TJH
DRAWN BY:	CMT
CHECKED BY:	RLV
APPROVED BY:	RLV
DATE:	MAY 4, 2012
JOB No.:	09035-05
IL PROJ. NO. SPI-4163	
APP PROJ. NO. 3-17-0096-XX	
SHEET	23 OF 27 SHEETS



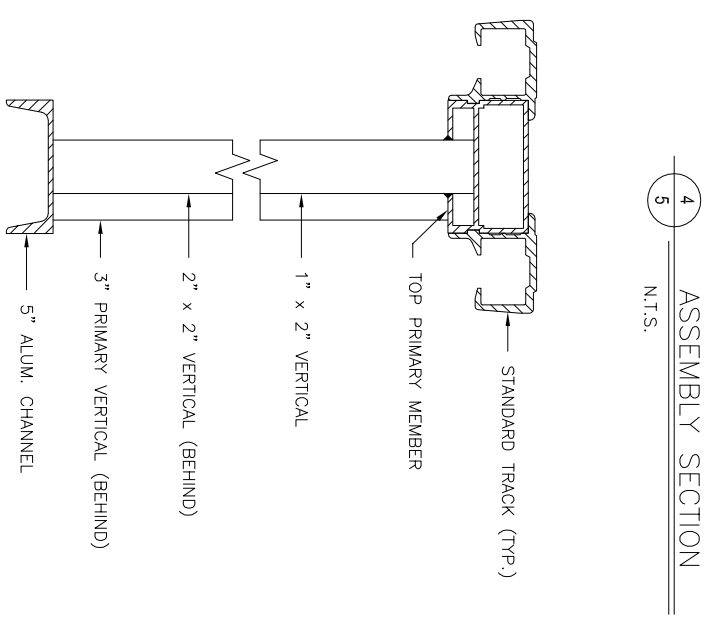
3 BOTTOM GUIDE  
 5 N.T.S.



5 CATCH ASSEMBLY  
 5 N.T.S.

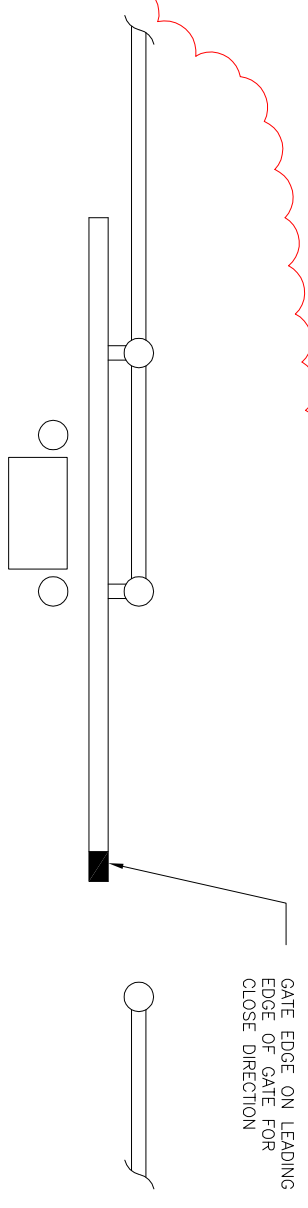


6 GATE HANGER ASSEMBLY  
 5 N.T.S.

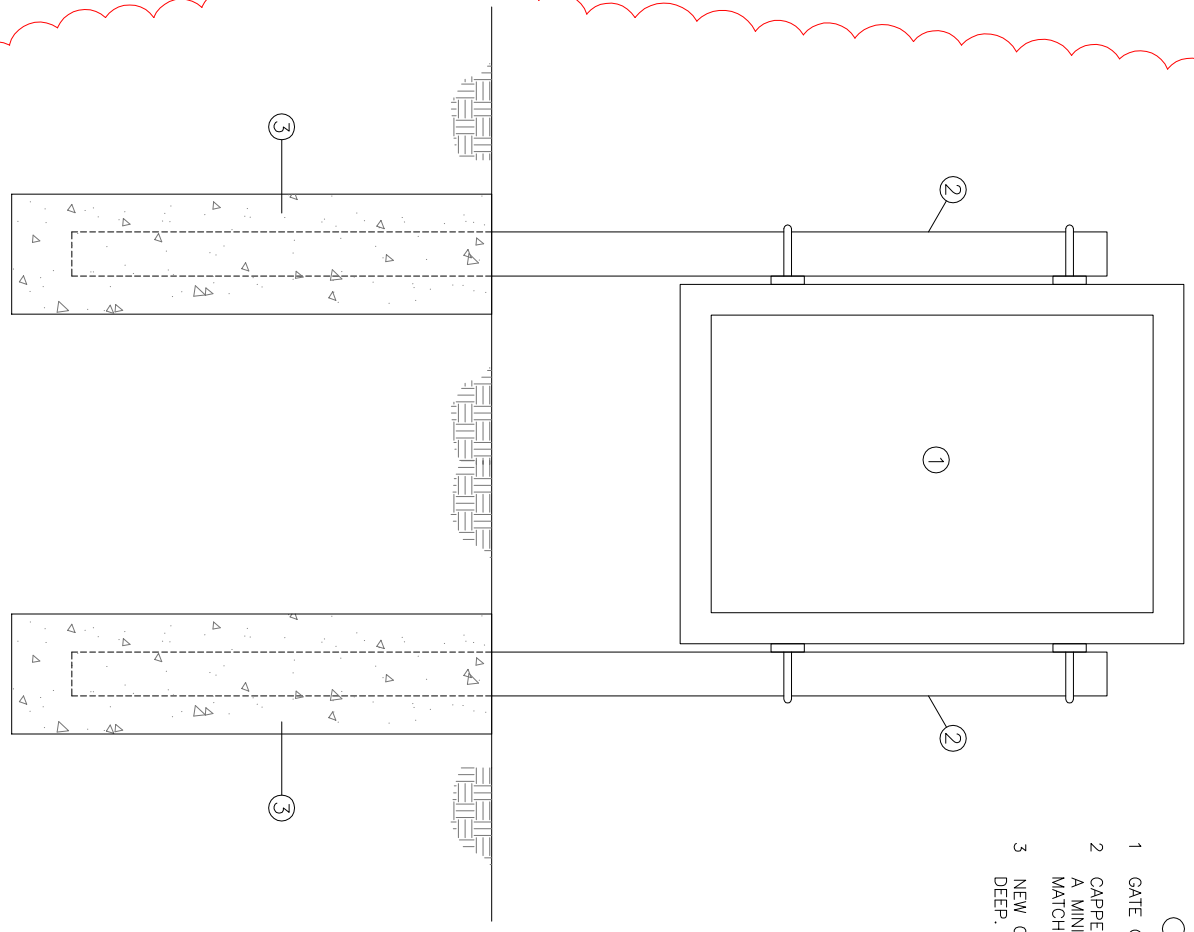


7 GATE FRAME SECTION  
 5 N.T.S.

GATE OPERATOR CONTACT SENSOR  
 N.T.S.



- GATE OPERATOR KEYS NOTE
- 1 GATE OPERATOR, LINEAR HSLG, OR EQUIVALENT..
  - 2 CAPPED 3" DIAMETER STEEL POST, PAINTED WITH A MINIMUM OF TWO COATS OF EPOXY PAINT MATCHING COLOR OF GATE OPERATOR HOUSING.
  - 3 NEW CONCRETE FOOTINGS, 12" DIAMETER, 48" DEEP.



GATE OPERATOR INSTALLATION ON NEW  
 CONCRETE FOOTINGS  
 N.T.S.

CANTILEVER SLIDE GATE DETAILS