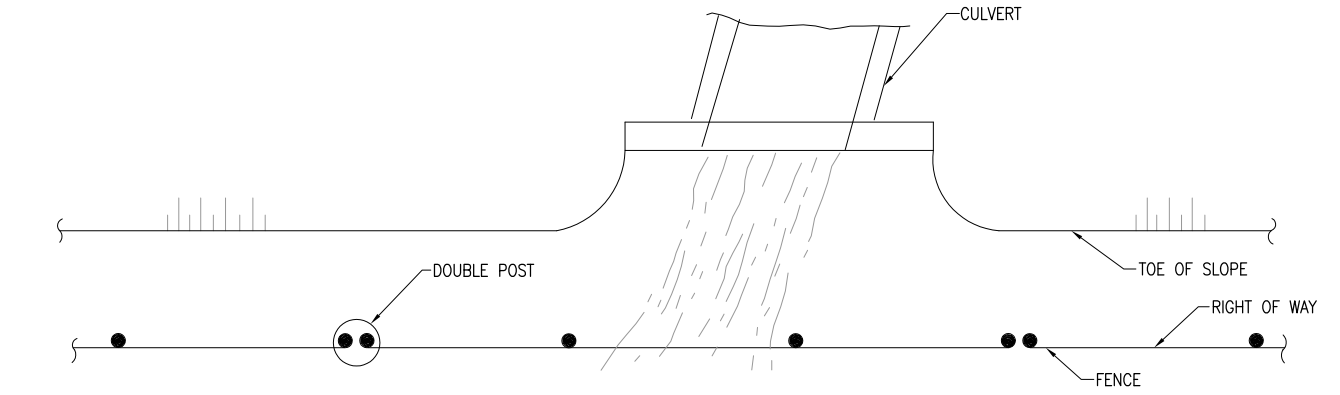
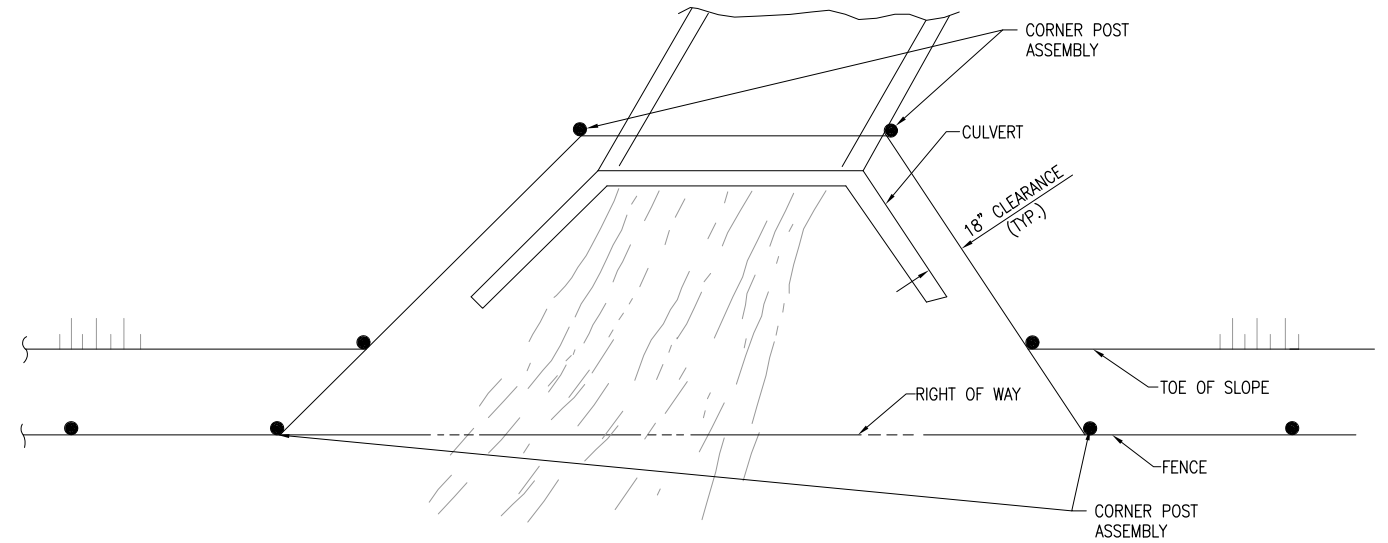


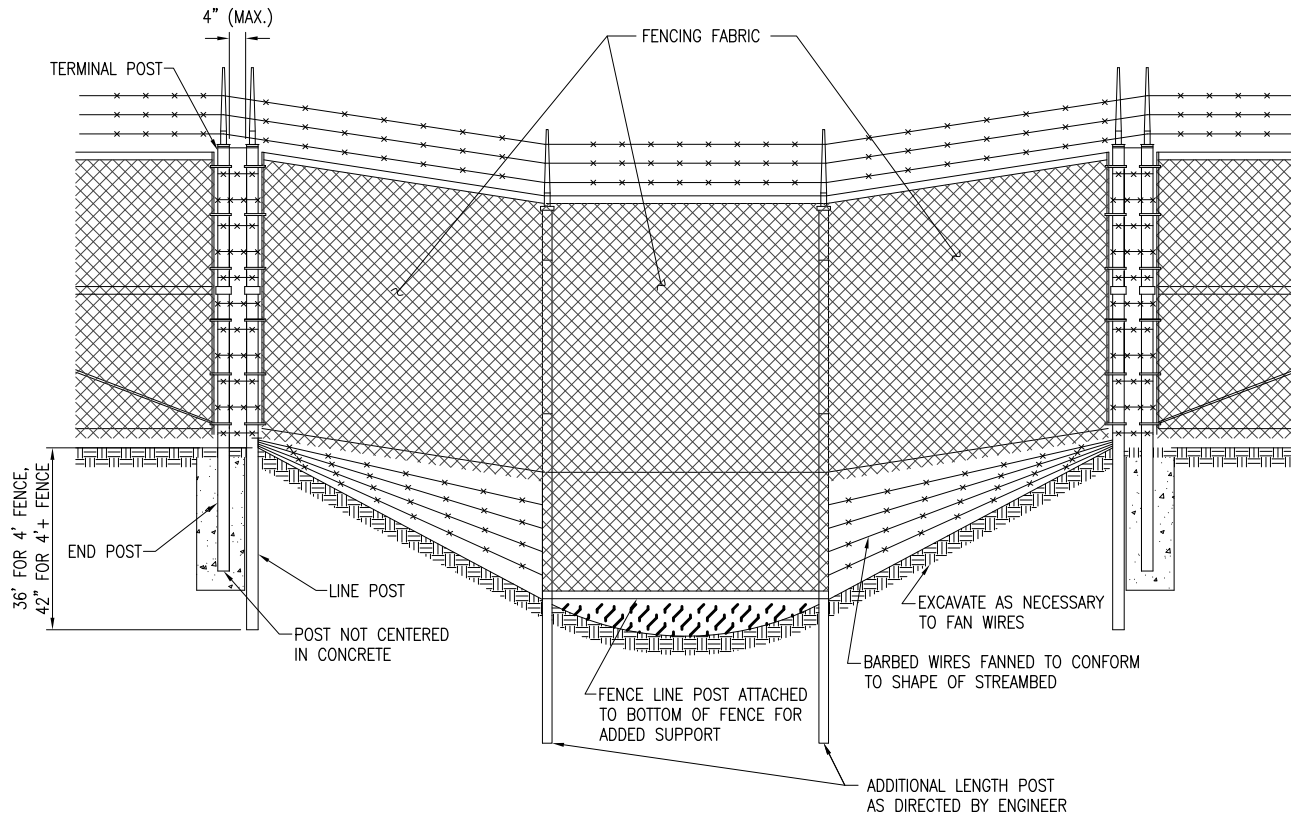
INSTALLATION ON SLOPES



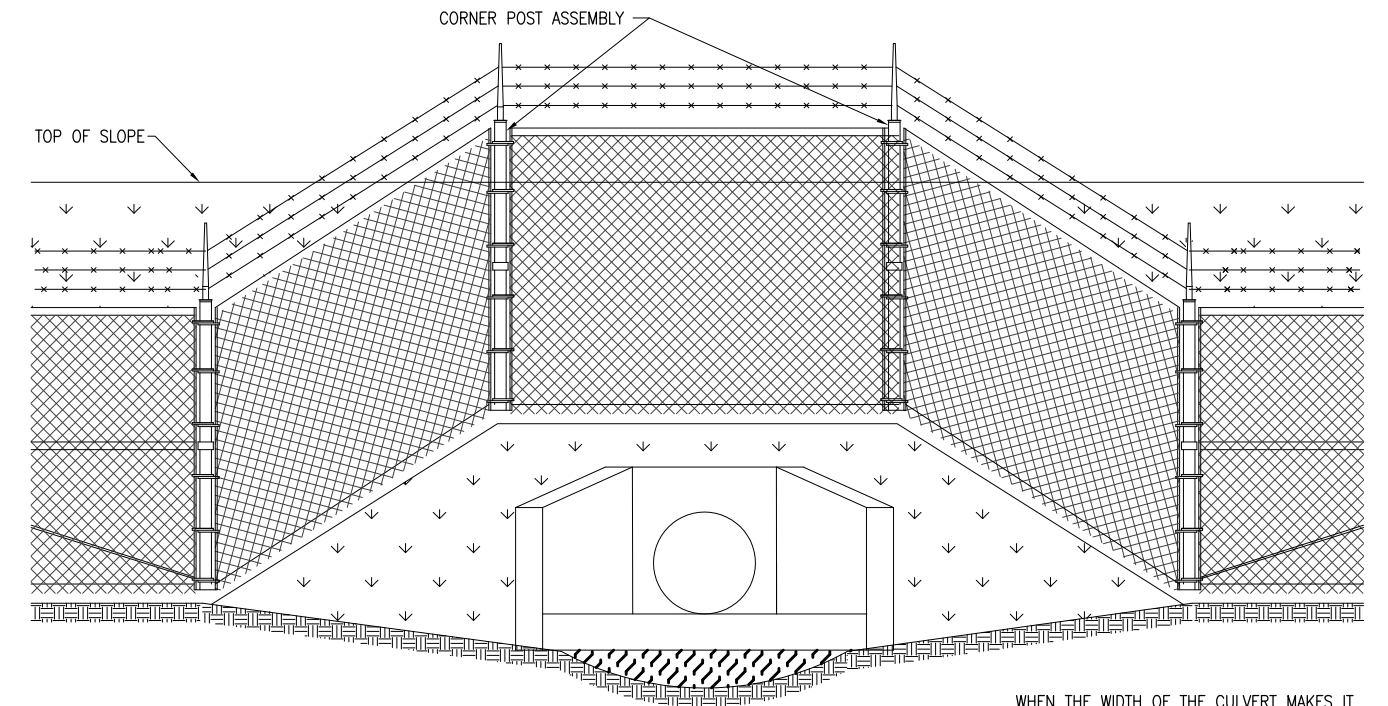
INSTALLATION OVER STREAM (PLAN)



INSTALLATION AROUND HEADWALL (PLAN)



INSTALLATION OVER STREAM (ELEVATION)



INSTALLATION AROUND HEADWALL (ELEVATION)

THE CHAIN LINK FABRIC SHALL BE REPLACED BY BARBED WIRE STRANDS AT 12" MAXIMUM CENTERS BETWEEN THE DOUBLE POST SHOWN.

WHEN THE WIDTH OF THE CULVERT MAKES IT NECESSARY TO ANCHOR A POST TO THE TOP OF THE CULVERT, A CAST IRON SHOE OR OTHER DEVICE APPROVED BY THE ENGINEER SHALL BE USED.

MAY 08, 2012 1:28 PM HARR01115
 pw:\sps-sv306\hanson.dom\hanson_projects\Documents\11\jobs\11A0083D\CAD\Work\Sheet\C-572-FEN

| REVISION |
|----------|
| |
| |
| |
| |

DATE

DECATUR, ILLINOIS
 I.L. PROJ.: DEC-4167 A.I.P. PROJ.: 3-17-0033-B4

| | | | |
|---------------------------|----------|---------|----------|
| Hanson Proj. No. 11A0083D | LAYOUT | KDM | 02/16/12 |
| Filename C-572-FEN.DWG | DRAWN | BAK | 02/16/12 |
| Scale NOT TO SCALE | REVIEWED | KNL/RAW | 04/19/12 |
| Date 05/08/2012 | | | |

HANSON Professional Services Inc.
 1525 South Sixth Street
 Springfield, Illinois 62703-2886
 Ph: (217) 788-2450 Fax: (217) 788-2503
 www.hanson-inc.com
 Offices Nationwide

REPLACE PERIMETER FENCE
 PROPOSED FENCING DETAILS