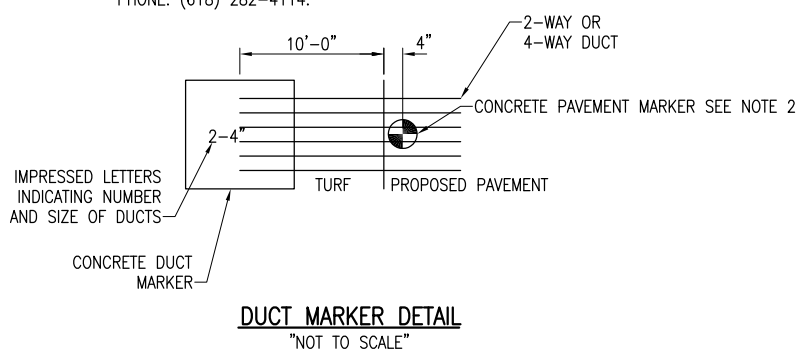
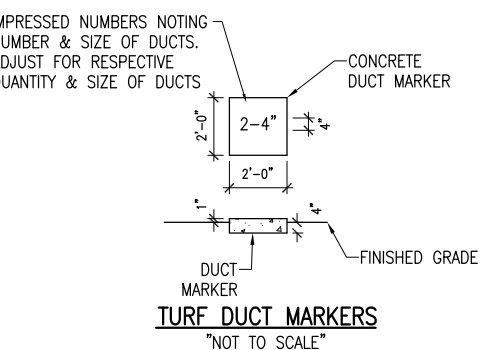
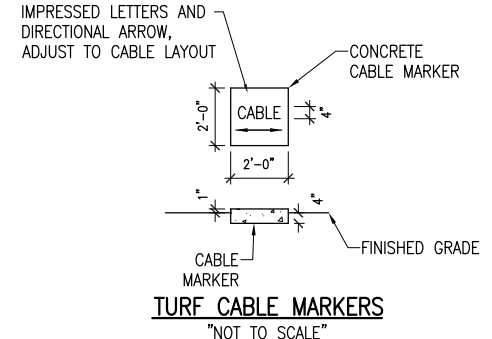


- NOTES:
- LIDS FOR LOW VOLTAGE HANDHOLES SHALL BE LABELED "LOW VOLTAGE". LIDS FOR HIGH VOLTAGE HANDHOLES SHALL BE LABELED "HIGH VOLTAGE". COORDINATE LETTERING WITH MFR.
 - HANDHOLES MAY BE CAST IN PLACE OR PRECAST CONCRETE. PRECAST MANUFACTURERS MUST BE ON THE IDOT (ILLINOIS DEPT. OF TRANSPORTATION) APPROVED LIST OF CERTIFIED PRECAST CONCRETE PRODUCERS. FIBERGLASS HANDHOLES ARE NOT ACCEPTABLE. INCLUDE CERTIFICATION OF MANUFACTURER IN USA TO COMPLY WITH THE AIRPORT IMPROVEMENT PROGRAM BUY AMERICAN REQUIREMENT.
 - ALL CORING, INTERFACE, AND LABOR ASSOCIATED WITH CONDUIT, DUCT, CABLE IN UNIT DUCT, AND / OR CABLE ENTRIES WILL BE CONSIDERED INCIDENTAL TO THE INSTALLATION OF THE HANDHOLE AND NO ADDITIONAL COMPENSATION WILL BE ALLOWED.
 - ELECTRICAL HANDHOLES WILL BE PAID FOR UNDER: ITEM AR110610 "ELECTRICAL HANDHOLE" _____ PER EACH.

ELECTRICAL HANDHOLE
"NOT TO SCALE"

- DUCT BANK NOTES:
- DIMENSIONS FOR CONCRETE COVERAGE AND SEPARATION BETWEEN DUCTS ARE MINIMUM.
 - INCLUDE DUCT SPACERS AS MANUFACTURED BY UNDERGROUND DEVICES INC., OR APPROVED EQUAL TO MAINTAIN PROPER SEPARATION OF CONDUITS.
 - REBAR IS REQUIRED TO ACCOMMODATE FUTURE DUCT EXTENSIONS & INTERFACE AT DUCT BANK TERMINATIONS. CONCRETE ENCASED DUCT BANKS TERMINATING IN HANDHOLES REQUIRE REBAR AT TERMINATIONS.
 - CONDUITS FOR CONCRETE ENCASED DUCT SHALL BE SCHEDULE 40 PVC CONFORMING TO ITEM 110.
 - MINIMUM DEPTH OF TOP OF DUCT ENCASEMENT SHALL BE 18" BELOW FINISHED GRADE.
 - HIGH VOLTAGE AND LOW VOLTAGE CIRCUITS SHALL NOT BE INSTALLED IN THE SAME RACEWAY, CONDUIT, DUCT, HANDHOLE, OR MANHOLE.
 - HOMERUN CABLES FOR A RESPECTIVE CIRCUIT SHALL BE INSTALLED IN THE SAME RACEWAY OR DUCT.
 - DUCT INTERFACE TO HANDHOLES OR MANHOLES WILL BE CONSIDERED INCIDENTAL TO THE RESPECTIVE DUCT PAY ITEM.

- CABLE & DUCT MARKER NOTES:
- THE COST OF ALL TURF AND PAVEMENT DUCT MARKERS SHALL BE INCIDENTAL TO THE DUCT. THE COST OF ALL CABLE MARKERS SHALL BE INCIDENTAL TO THE CABLE.
 - BITUMINOUS PAVEMENT DUCT MARKER AND CONCRETE DUCT MARKER TO BE PROVIDED AT EACH END OF EACH DUCT AS SHOWN ON THE LOCATION PLAN. FOR CONCRETE PAVEMENT, THE LETTER "D" SHALL BE IMPRESSED IN THE PAVEMENT INSTEAD OF THE MARKER. THE LETTER SHALL BE FORMED AS DESCRIBED IN NOTE 4.
 - CABLE MARKERS SHALL BE PLACED AT CHANGES OF DIRECTION AND APPROXIMATELY EVERY 200' ALONG CABLE RUNS.
 - CONCRETE CABLE MARKERS AND DUCT MARKERS SHALL HAVE LETTERS 4" HIGH, 3" WIDE WITH WIDTH OF STROKE 1/2" AND 1/4" DEEP. ALL LETTERS, NUMBERS AND ARROWS TO BE IMPRESSED.



- NOTES:
- TOP OF MARKER SHALL BE FLUSH WITH FINISHED PAVEMENT SURFACE. MARKER MAY BE INSTALLED IN A DRILLED HOLE AND SECURED WITH EPOXY GLUE.
 - BRASS DUCT MARKERS ARE AVAILABLE FROM G&S FOUNDRY & MANUFACTURING CO. INC. 210 KASKASKIA DRIVE, RED BUD, IL. 62278 PHONE: (618) 282-4114.

REVISION
DATE

DECATUR, ILLINOIS

A.I.P. PROJ.: 3-17-0033-B4
IL PROJ.: DEC-4167

Hanson Proj. No. 11A0083D	FILENAME E-501.dwg	Scale NOT TO SCALE	Date 05/08/2012
LAYOUT	KNL	04/11/12	
DRAWN	BAK	04/16/12	
REVIEWED	KNL/RAW	04/19/12	

Hanson Professional Services Inc. 2012
1525 South Sixth Street
Springfield, Illinois 62703-2886
Ph: (217) 788-2450 Fax: (217) 788-2503
www.hanson-inc.com
Offices Nationwide

REPLACE PERIMETER FENCE

ELECTRICAL HANDHOLE & DUCT DETAILS

MAY 08, 2012 1:31 PM HARR01115
pw:\sps-svr306\hanson\dom\hanson\Projects\Documents\11A0083D\CAD\Airport\Sheet\E-501