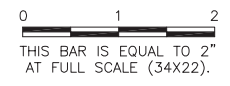
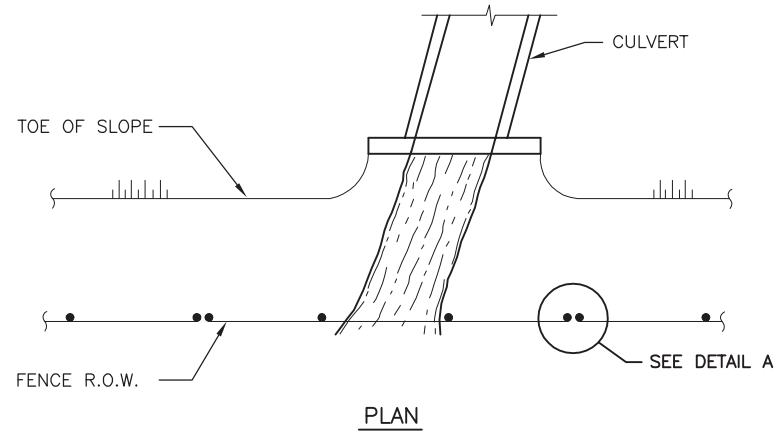


**UN051**

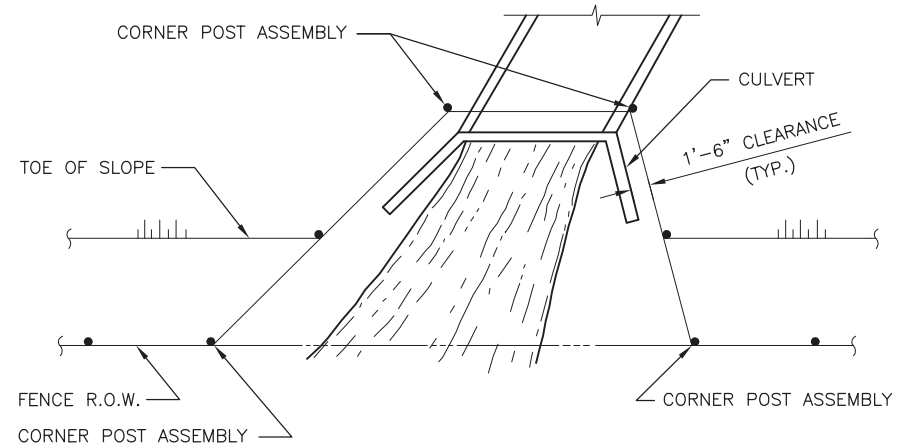
REVISIONS		
NUMBER	BY	DATE



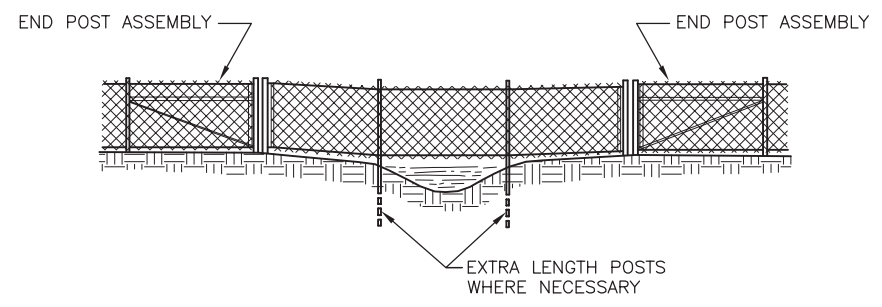
**WILLARD AIRPORT**  
**UNIVERSITY OF ILLINOIS**  
**NEW AIRFIELD LIGHTING VAULT**  
**FENCE DETAILS 2**



PLAN

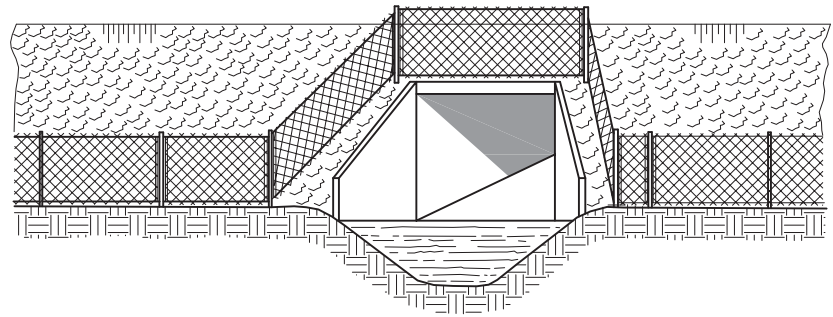


PLAN



ELEVATION

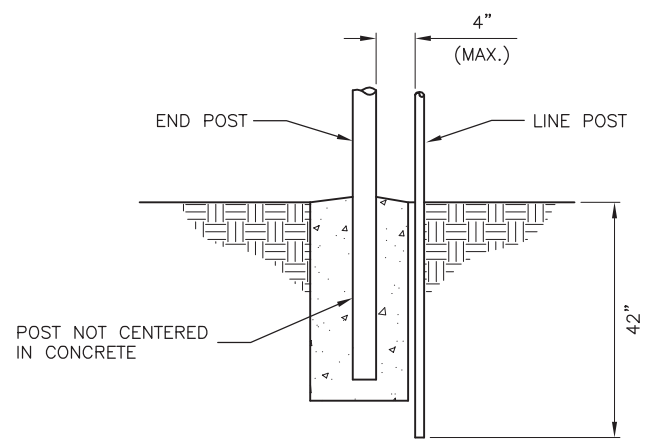
THE CHAIN LINK FABRIC SHALL BE REPLACED BY BARBED WIRE STRANDS AT 12" MAXIMUM CENTERS BETWEEN THE DOUBLE POSTS SHOWN ON DETAIL A WHEN SHOWN ON THE PLANS.



ELEVATION

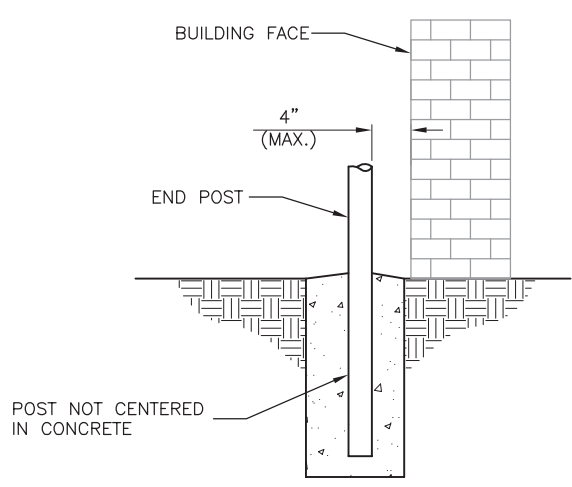
WHEN THE WIDTH OF THE CULVERT MAKES IT NECESSARY TO ANCHOR A POST TO THE TOP OF THE CULVERT, A CAST IRON SHOE OR OTHER DEVICE APPROVED BY THE ENGINEER SHALL BE USED.

FENCE INSTALLATION AROUND HEADWALL DETAILS  
 N.T.S.

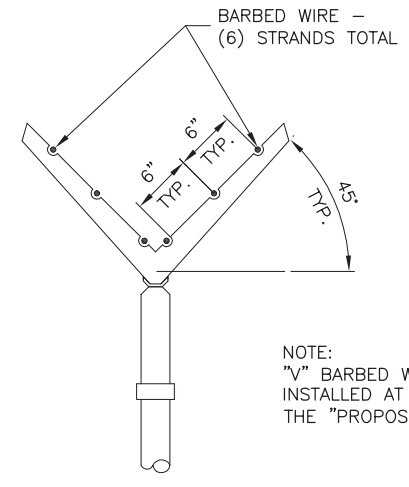


DETAIL A

FENCE INSTALLATION OVER STREAM DETAILS  
 N.T.S.



FENCE INSTALLATION AT BUILDING FACE  
 N.T.S.



"V" BARBED WIRE ARM ON LINE POST  
 N.T.S.

NOTE:  
 "V" BARBED WIRE ARMS SHALL BE INSTALLED AT THE LOCATIONS SHOWN ON THE "PROPOSED IMPROVEMENTS" SHEETS.

© Copyright CMT, Inc.



DESIGN BY:	KLB
DRAWN BY:	CMT
CHECKED BY:	CBG
APPROVED BY:	CET
DATE:	APRIL 20, 2012
JOB No:	11059-03
IL PROJ. NO.	CMI-4100
AIP PROJ. NO.	3-17-0016-XX
SHEET	36 OF 60 SHEETS