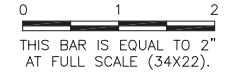


UN051

REVISIONS		
NUMBER	BY	DATE



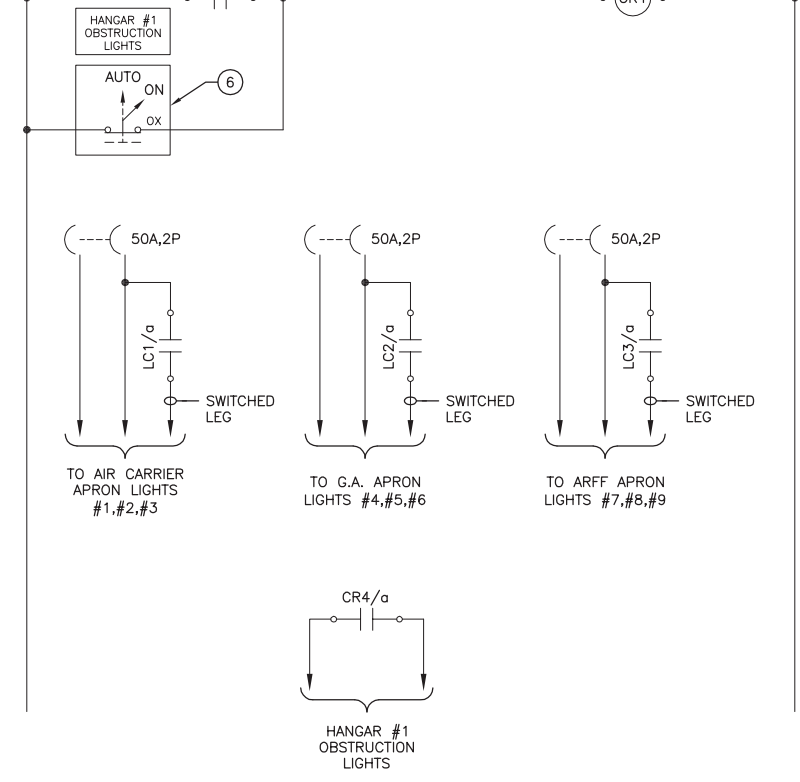
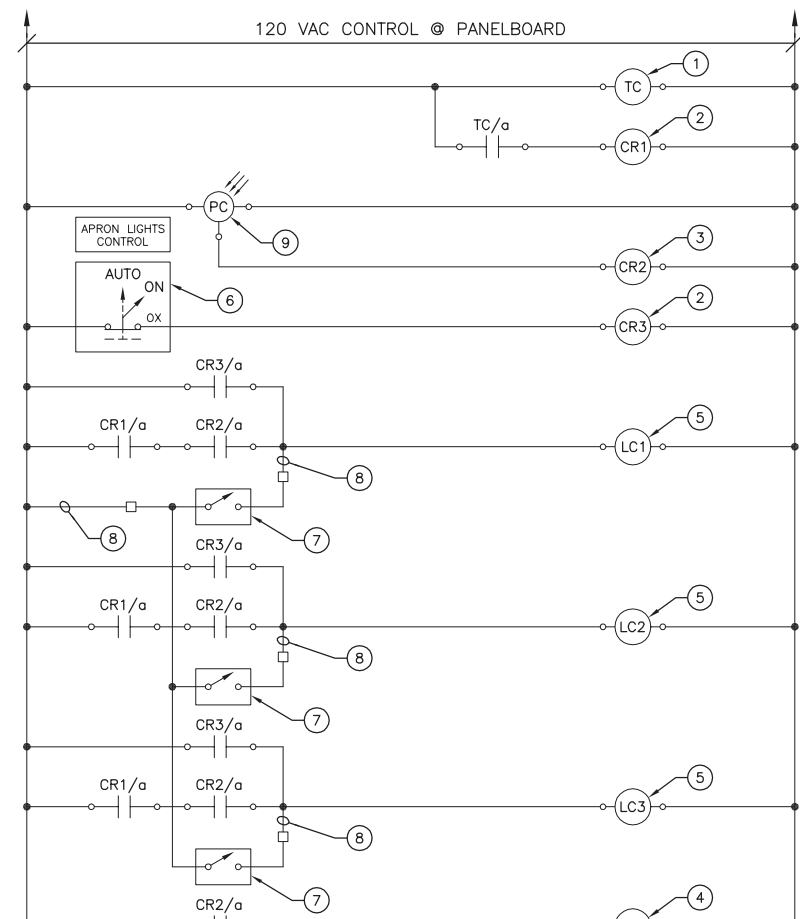
WILLARD AIRPORT
UNIVERSITY OF ILLINOIS

NEW AIRFIELD LIGHTING VAULT
EXISTING APRON LIGHTING DETAILS - 2

© Copyright CMT, Inc.



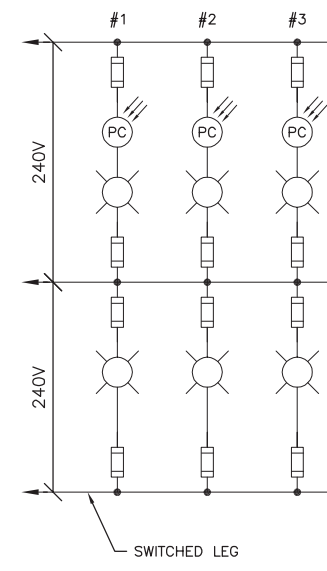
DESIGN BY:	WDP
DRAWN BY:	CMT
CHECKED BY:	CBG
APPROVED BY:	CET
DATE:	APRIL 20, 2012
JOB No:	11059-03
IL PROJ. NO.	CMI-4100
AIP PROJ. NO.	3-17-0016-XX
SHEET	46 OF 60 SHEETS



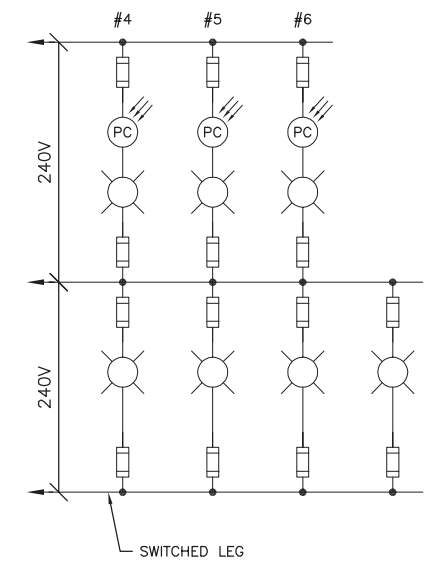
APRON LIGHTING & OBSTRUCTION LIGHTING CONTROL SCHEMATIC

KEYED NOTES

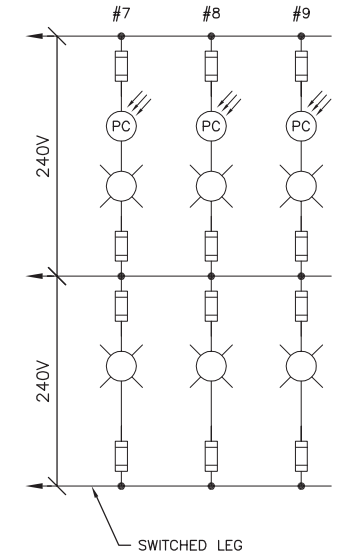
- 24-HOUR ASTRONOMICAL TIME CLOCK, TORK TZ300L, OR EQUIVALENT. MOUNT INSIDE CONTROL PANEL.
- CONTROL RELAY, 10A, 120V, WITH THREE FORM C CONTACTS. MOUNT INSIDE CONTROL PANEL.
- CONTROL RELAY, 10A, 120V, WITH FOUR FORM C CONTACTS. MOUNT INSIDE CONTROL PANEL.
- HEAVY DUTY CONTROL RELAY, MINIMUM 20A, 120V, WITH ONE FORM C CONTACT. MOUNT INSIDE CONTROL PANEL.
- ELECTRICALLY-HELD LIGHTING CONTACTOR, 60A, 2P, SQUARE D TYPE S, OR EQUIVALENT. MOUNT INSIDE CONTROL PANEL.
- TWO-POSITION SELECTOR SWITCH, 10A, 120V, NEMA 4X, NON-METALLIC, SQUARE D TYPE SK, OR EQUIVALENT, WITH LEGEND PLATE AND ENGRAVED NAMEPLATE SHOWN. MOUNT IN DOOR OF CONTROL PANEL.
- EXISTING ON/OFF SWITCHES REMOTELY LOCATED IN ARFF (F/C/R) BUILDING.
- THESE CONDUCTORS ARE PART OF THE 5/C CONTROL CABLE.
- PHOTOCELL MOUNTED ON TOP OF CONTROL PANEL.



AIR CARRIER APRON



G.A. APRON



ARFF APRON

PANELBOARD SCHEDULE																
PANEL DESIGNATION: APRON LIGHTING					BOND NEUTRAL AND GROUND BAR: YES					POLE: 30						
LOCATION: EXISTING VAULT AREA					NEUTRAL BUS RATING: 100%					SHORT CIRCUIT RATING: 65KA						
					SERVICE ENTRANCE RATED: YES					SERIES OR FULLY RATED: FULLY						
										SURGE PROTECTIVE DEVICE: YES						
VOLTS: 240/120V, HIGH "B" LEG					MOUNTING: SURFACE					BUS RATING (AMPS): 150						
PHASE: 3					ENCL RATING: NEMA 3R					BUS: COPPER; SILVER OR TIN PLATED						
WIRE: 4										MAIN CIRCUIT BREAKER: AMP/POLE 150/3						
CKT NO.	LOAD	BREAKER SIZE	LOAD AMPS	USAGE FACTOR	PHASE AMPS (USAGE)			POLE NO.	PHASE AMPS (USAGE)			USAGE FACTOR	LOAD AMPS	BREAKER SIZE	LOAD	CKT NO.
1	AARF APRON LIGHTS #7 #8 #9	50/2	36	1	36			1 2	36			1	36	50/2	AIR CARRIER APRON LIGHTS #1 #2 #3	2
---	---	---	36	1				3 4				1	36	---	---	---
5	APRON LIGHTING CONTROL	20/1	2	1				5 6				1	36	50/2	G.A. APRON LIGHTS #4 #5 #6	6
7	HANGAR #1 OBSTRUCTION LIGHTS	20/1	10	1	10			7 8	36			1	36	---	---	---
---	---	---						9 10					---	---	---	---
---	---	---						11 12					---	---	---	---
---	---	---						13 14	0				---	---	---	---
---	---	---						15 16					---	---	---	---
---	---	---						17 18					---	---	---	---
---	---	---						19 20	0				---	---	---	---
---	---	---						21 22					---	---	---	---
---	---	---						23 24					---	---	---	---
---	---	---						25 26	0				---	---	---	---
---	---	---						27 28					---	---	---	---
---	---	---						29 30					---	---	---	---
SECTION TOTAL:					46	36	2		72	36	36					
MINIMUM MAIN CIRCUIT BREAKER AMPS: 103					PHASE TOTAL AMPS:					A	B	C	TOTAL USAGE LOAD:			
										118	72	38	27360 VA			
										A	B	C	MIN. XFMR VA:			
										14160	8640	4560	34200 VA			

NOTES:
DO NOT INSTALL ANY SINGLE-POLE (120V) CIRCUIT BREAKERS ON THE "B" (WILD LEG) PHASE OF THIS PANELBOARD!!