

UN051

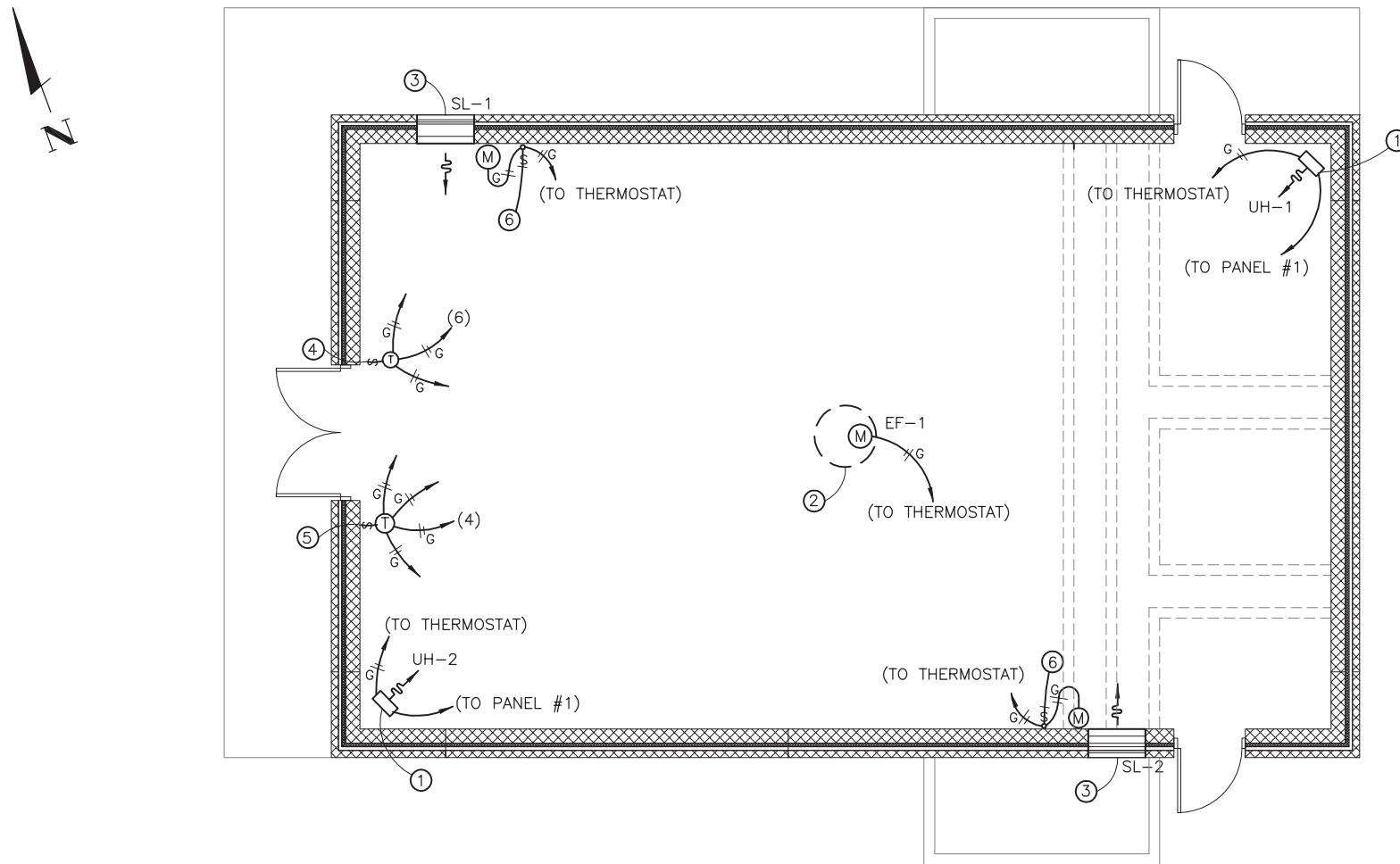
REVISIONS

NUMBER	BY	DATE

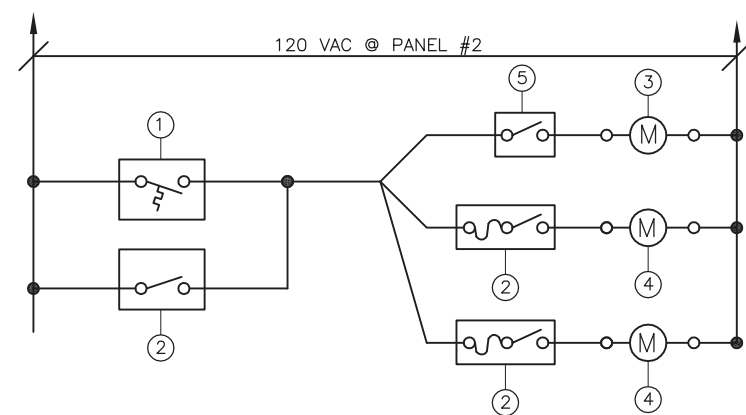
0 1 2
 THIS BAR IS EQUAL TO 2"
 AT FULL SCALE (34X22).

HVAC ELECTRICAL NOTES

- WALL-MOUNTED UNIT HEATERS UH-1 & UH-2, 10KW, 480V, 3-PHASE. HEATER SHALL INCLUDE INTEGRAL POWER DISCONNECT SWITCH AND BE SUITABLE FOR USE WITH EXTERNAL THERMOSTAT AND EXTERNAL 120V CONTROL. WIRING:
 - THREE #10 THWN (480V), ONE #12 GROUND IN 3/4" CONDUIT TO PANEL #1
 - TWO #12 THWN (CONTROL), ONE #12 GROUND IN 3/4" CONDUIT TO THERMOSTAT.
- ROOF MOUNTED EXHAUST FAN EF-1, 3/4 HP, 120V. WIRE TO COOLING THERMOSTAT FOR AUTO-OFF-ON CONTROL.
- SUPPLY LOUVER SL-1 & SL-2 WITH MOTORIZED DAMPER. WIRE TO COOLING THERMOSTAT FOR AUTO-ON-OFF CONTROL.
- UNIT HEATER WALL-MOUNTED THERMOSTAT, 120V, SPST, CLOSE ON FALLING TEMPERATURE. WIRING:
 - TWO #12 THWN (120V), ONE #12 GROUND TO PANEL #2 (CIRCUIT # AS SHOWN).
 - TWO #12 THWN (120V CONTROL), ONE #12 GROUND TO UNIT HEATER UH-1.
 - TWO #12 THWN (120V CONTROL), ONE #12 GROUND TO UNIT HEATER UH-2.
- EXHAUST FAN WALL-MOUNTED THERMOSTAT, 120V, SPDT, CLOSE ON RISING TEMPERATURE, WITH "AUTO-OFF-ON" SUBBASE. WIRING:
 - TWO #12 THWN (120V), ONE #12 GROUND TO PANEL #2 (CIRCUIT # AS SHOWN).
 - TWO #12 THWN (120V), ONE #12 GROUND TO EF-1.
 - TWO #12 THWN (120V), ONE #12 GROUND TO SL-1.
 - TWO #12 THWN (120V), ONE #12 GROUND TO SL-2.
- FRACTIONAL HORSEPOWER STARTER TO BE USED AS DISCONNECT FOR LOUVER MOTOR. PROVIDE THERMAL OVERLOADS SIZED FOR MOTORS PER MANUFACTURER INSTRUCTIONS. INTERIOR WALL MOUNT NEXT TO SUPPLY LOUVER.

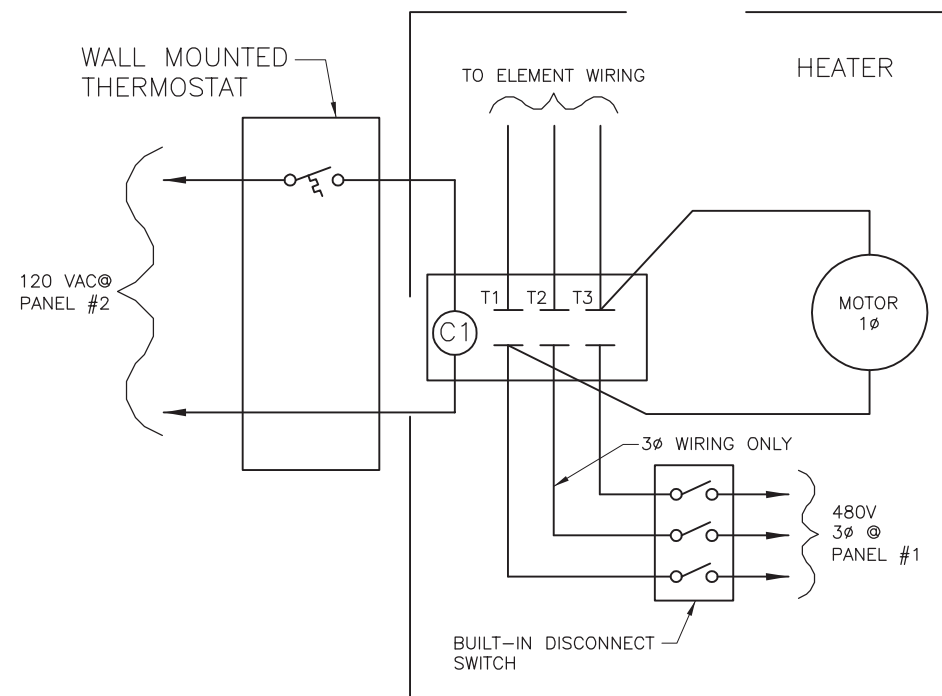


NEW HVAC EQUIPMENT PLAN VIEW
 SCALE: N.T.S.



EXHAUST FAN WIRING DIAGRAM

- WALL MOUNTED THERMOSTAT WITH "AUTO-OFF-ON" SUBBASE.
- FRACTIONAL HORSEPOWER STARTER NEAR SUPPLY LOUVER.
- EXHAUST FAN.
- SUPPLY LOUVER DAMPER MOTOR.
- DISCONNECT AT EXHAUST FAN.



HEATER THERMOSTAT WIRING

NOTE:
 UNIT HEATERS AND ACCESSORIES, EXHAUST FANS AND ACCESSORIES, SUPPLY LOUVERS AND ACCESSORIES, THERMOSTATS, FAN "ON-AUTO" TOGGLE SWITCH, FRACTIONAL HORSEPOWER STARTERS, ETC., SHALL BE FURNISHED COMPLETE BY HVAC EQUIPMENT SUPPLIER.

WILLARD AIRPORT
 UNIVERSITY OF ILLINOIS

NEW AIRFIELD LIGHTING VAULT
 NEW VAULT HVAC ELECTRICAL PLAN

© Copyright CMT, Inc.
CMT
 CRAWFORD, MURPHY & TILLY, INC.
 CONSULTING ENGINEERS
 License No. 184-000613

DESIGN BY:	WDP
DRAWN BY:	CMT
CHECKED BY:	JEH
APPROVED BY:	JEH
DATE:	APRIL 20, 2012
JOB No:	11059-03
IL PROJ. NO.	CMI-4100
AIP PROJ. NO.	3-17-0016-XX
SHEET	50 OF 60 SHEETS