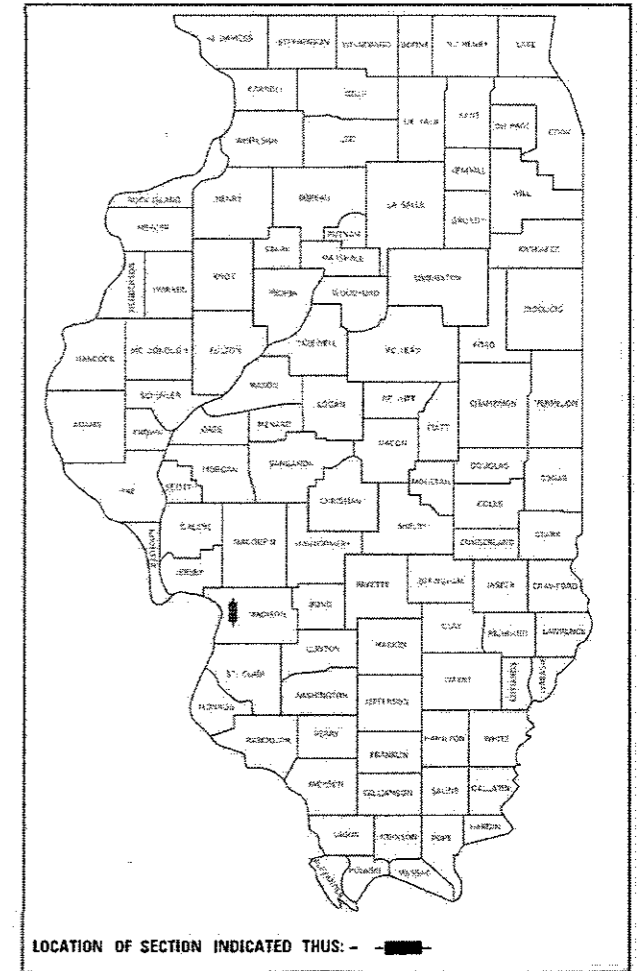


06-15-2018 LETTING ITEM 084

STATE OF ILLINOIS  
DEPARTMENT OF TRANSPORTATION

F.A.P. RTE.	SECTION	COUNTY	TOTAL SHEETS	SHEET NO.
2	(101,102)RS-3,202RS-5	MADISON	6	1
ILLINOIS CONTRACT NO. 76L61				

D-98-077-18



# PROPOSED HIGHWAY PLANS

FAP ROUTE 2 (IL 3)  
SECTION (101,102)RS-3,202RS-5

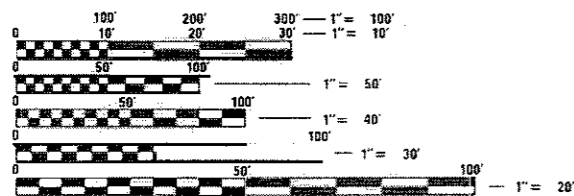
RESURFACING NB DRIVING LANE OF  
IL 3 FROM NEW POAG RD TO I-270  
MADISON COUNTY

C-98-261-18

FOR INDEX OF SHEETS, SEE SHEET NO. 2

**ADT IL 3 NB**

2017 ADT = 6900 (ACTUAL)  
2018 ADT = 7000 (ESTIMATED)  
2038 ADT = 8900 (ESTIMATED)  
SU = 14.5%, MU = 9.4%

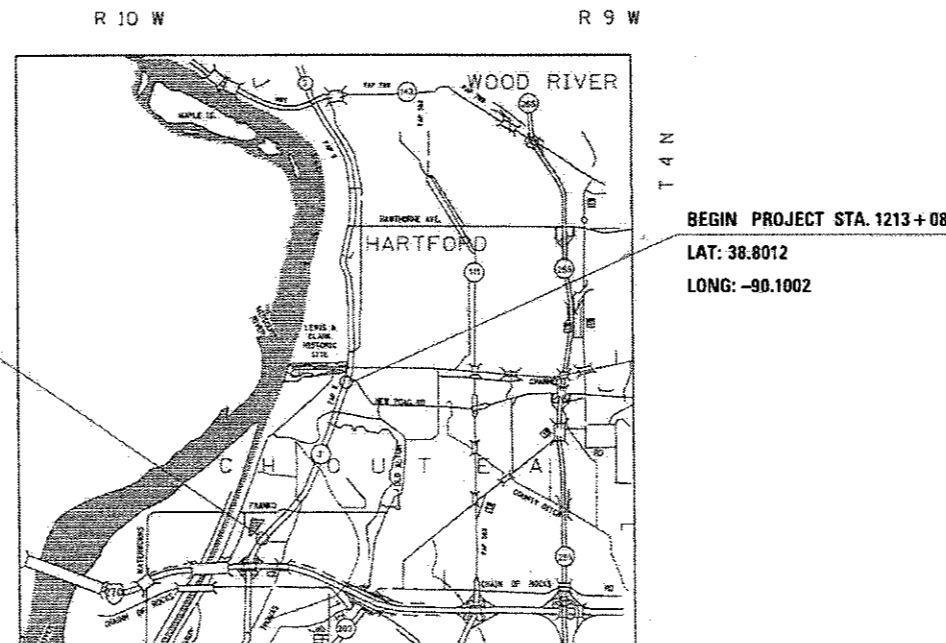


FULL SIZE PLANS HAVE BEEN PREPARED USING STANDARD ENGINEERING SCALES. REDUCED SIZED PLANS WILL NOT CONFORM TO STANDARD SCALES. IN MAKING MEASUREMENTS ON REDUCED PLANS, THE ABOVE SCALES MAY BE USED.

J.U.L.I.E.  
JOINT UTILITY LOCATION INFORMATION FOR EXCAVATION  
1-800-892-0123  
OR 811

PROJECT ENGINEER TIM PADGETT (618) 346-3325  
PROJECT MANAGER LIZ BURNSIDE (618) 346-3180

CONTRACT NO. 76L61



GROSS LENGTH = 12842.00 FT. = 2.432 MILE  
NET LENGTH = 12842.00 FT. = 2.432 MILE

STATE OF ILLINOIS  
DEPARTMENT OF TRANSPORTATION

SUBMITTED 3/16 20 18

*Jeff Dain* REGIONAL ENGINEER

*May H* ENGINEER OF DESIGN AND ENVIRONMENT

*May Dain* DIRECTOR OF HIGHWAYS PROJECT IMPLEMENTATION

PRINTED BY THE AUTHORITY  
OF THE STATE OF ILLINOIS

INDEX OF SHEETS

- 1 COVER SHEET
- 2 INDEX, HIGHWAY STANDARDS, GENERAL NOTES, AND COMMITMENTS.
- 3 SUMMARY OF QUANTITIES
- 4 TYPICALS
- 5 SCHEDULE OF QUANTITIES
- 6 LOCATION MAP

GENERAL NOTES

- ① ILLINOIS STATE LAW REQUIRES A 48-HOUR NOTICE TO BE GIVEN TO UTILITIES BEFORE DIGGING. FIELD MARKING OF FACILITIES MAY BE OBTAINED BY CONTACTING J.U.L.I.E. (1-800-892-0123 OR 811) OR FOR NON-MEMBERS THE UTILITY COMPANY DIRECTLY.
- ② ALL PATCHING ON THIS PROJECT SHALL BE COMPLETED PRIOR TO BITUMINOUS SURFACE REMOVAL.
- ③ THE PROPOSED PAVEMENT MARKINGS SHALL BE PLACED IN THE SAME LOCATION AS EXISTING OR AS DIRECTED BY THE RESIDENT ENGINEER.
- ④ TWO CHANGEABLE MESSAGE BOARDS SHALL BE REQUIRED FOR THIS PROJECT. THEY SHALL BE PLACED TWO WEEKS PRIOR TO ANY LANE CLOSURE AND REMAIN UP FOR THE DURATION OF THE PROJECT. THE CHANGEABLE MESSAGE BOARDS SHALL BE PLACED AT THE DIRECTION OF THE ENGINEER.
- ⑤ THE FOLLOWING MIXTURE REQUIREMENTS ARE APPLICABLE FOR THIS PROJECT:

ROUTE	FAP 2 ROUTE IL 3
SECTION	(101,102)RS-3, 202RS-5
COUNTY	MADISON
CONTRACT	76L61

DESCRIPTION	RESURFACING ALONG THE NORTHBOUND DRIVING LANE ONLY OF IL 3 FROM NEW POAG RD TO I-270
-------------	--

ADT (Construction Yr):	6900
MU%:	9.4
SU%:	14.5
20YR. ESAL'S:	5.32

MIXTURE USE	SURFACE	LEVEL BINDER	PATCHING
AC/PG	PG 64-22	PG 64-22	PG 64-22
RAP % (MAX)	SEE SPEC PROV	SEE SPEC PROV	SEE SPEC PROV
DESIGN AIR VOIDS	4.0% @ Ndes=70	4.0% @ Ndes=70	4.0% @ Ndes=70
MIX COMPOSITION (GRADATION MIXTURE)	IL 9.5	IL 9.5 FG	IL 19.0
FRICTION AGG	MIXTURE "D"	MIXTURE "C"	MIXTURE "B"
QUALITY MGMT PROGRAM	QCP	QC/QA	QC/QA

PLAN QUANTITIES FOR BITUMINOUS CONCRETE SURFACE COURSE ITEMS ARE CALCULATED USING A UNIT WEIGHT OF 112 LB/SQYD/IN (59.8 KG/SQM/25MM THICKNESS)

- ⑥ NO OVERNIGHT LANE CLOSURES WILL BE ALLOWED.
- ⑦ IF THE SURFACE REMOVAL ON THIS PROJECT PRODUCES A MILLED EDGE NEAR CENTERLINE GREATER THAN 1.5 INCHES BETWEEN ADJACENT OPEN LANES OF TRAFFIC, ONE OF THE FOLLOWING SHALL APPLY:
  - THE CONTRACTOR SHALL ORGANIZE THE WORK TO AVOID THE MILLED EDGE.
  - THE CONTRACTOR SHALL CONSTRUCT A TEMPORARY HOT MIX ASPHALT WEDGE ALONG THE MILLED EDGE.
  - THE CONTRACTOR SHALL CONSTRUCT A MILLED SLOPED EDGE (MINIMUM 1:3) ALONG THE MILLED EDGE.
 THE COST OF THIS WORK SHALL BE INCLUDED IN THE COST PER SQUARE YARD FOR HOT-MIX ASPHALT SURFACE REMOVAL OF THE DEPTH SPECIFIED.
- ⑧ THE THICKNESS OF THE BITUMINOUS MIXTURE SHOWN ON THE PLANS IS THE NOMINAL THICKNESS. DEVIATIONS FROM THE NOMINAL THICKNESS WILL BE PERMITTED WHEN SUCH DEVIATIONS OCCUR DUE TO IRREGULARITIES IN THE EXISTING SURFACE OR BASE ON WHICH THE BITUMINOUS MIXTURE IS PLACED.
- ⑨ SHORT-TERM PAVEMENT MARKING REMOVAL SHALL ONLY BE PAID ON THE FINAL SURFACE.
- ⑩ PAVEMENT PATCHING FOR THE NORTH BOUND PASSING LANE HAS BEEN ADDED TO THE PLANS.

- ⑪ THE ILLINOIS DEPARTMENT OF TRANSPORTATION STRONGLY ENCOURAGES THE PRIME CONTRACTOR AND THEIR APPROVED SUB-CONTRACTORS TO HIRE MINORITY, WOMEN AND DISADVANTAGED INDIVIDUALS FROM ITS FEDERALLY FUNDED HIGHWAY CONSTRUCTION CAREERS TRAINING PROGRAM (HCCTP) TO HELP MEET WORKFORCE AND TRAINEE GOALS. THIS PROGRAM IS TRAINING MINORITIES, WOMEN AND DISADVANTAGED INDIVIDUALS IN HIGHWAY CONSTRUCTION-RELATED SKILLS, E.G., MATH FOR THE TRADES, JOB READINESS, TECHNICAL SKILLS COURSEWORK (CARPENTRY, CONCRETE FLATWORK, BLUEPRINT READING, SITE PLANS, SITE WORK, TOOLS USE, ETC.) AND OSHA 10 HOUR CERTIFICATION, TO PREPARE THEM FOR A CAREER IN THE HIGHWAY CONSTRUCTION TRADES. GRADUATES ARE WELL-TRAINED AND READY TO BECOME PRODUCTIVE ENTRY-LEVEL CONSTRUCTION WORKERS. PLEASE CONTACT THE DISTRICT 8 EEO OFFICE AT 618-346-3360 AND/OR THE HCCTP COORDINATOR AT 618-874-6528 TO LEARN MORE ABOUT THE PROGRAM AND FOR ASSISTANCE IN MEETING WORKFORCE AND TRAINEE GOALS.

IDOT HIGHWAY STANDARDS

- 000001-06
- 001006
- 442201-03
- 701421-08
- 701426-09
- 701901-07
- 780001-05
- 781001-04

COMMITMENTS

NONE

MODEL: Default  
FILE: \\nas01c.psu.edu\BIBLID\NTEC\Illinois\gov\PIV\DOT\Documents\IDOT\_Offices\District 8\Projects\0876161\CAD\data\CAD\sheet\0876161.rvt-generos.dgn

USER NAME = Burnsideem	DESIGNED -	REVISED -
	DRAWN -	REVISED -
PLOT SCALE = 100.0000' / in.	CHECKED -	REVISED -
PLOT DATE = 3/16/2018	DATE -	REVISED -

STATE OF ILLINOIS  
DEPARTMENT OF TRANSPORTATION

INDEX OF SHEETS, HIGHWAY STANDARDS,  
GENERAL NOTES AND COMMITMENTS

SCALE: SHEET OF SHEETS STA. TO STA.

F.A.P. RTE.	SECTION	COUNTY	TOTAL SHEETS	SHEET NO.
2	(101,102)RS-3,202RS-5	MADISON	6	2
			CONTRACT NO. 76L61	
		ILLINOIS	FED. AID PROJECT	

SUMMARY OF QUANTITIES				100% STATE	CONSTR. CODE
CODE NO.	ITEM	UNIT	TOTAL QUANTITY	ROADWAY	
				0005	URBAN
40600290	BITUMINOUS MATERIALS (TACK COAT)	POUND	12521	12521	
40600637	LEVELING BINDER (MACHINE METHOD), 1L-9.5FG, N70	TON	1039	1039	
40600990	TEMPORARY RAMP	SQ YD	453	453	
40603340	HOT-MIX ASPHALT SURFACE COURSE, MIX "D", N70	TON	1558	1558	
44000159	HOT-MIX ASPHALT SURFACE REMOVAL, 2 1/2"	SQ YD	18550	18550	
44200144	PAVEMENT PATCHING, TYPE II, 12 INCH	SQ YD	41	41	
44200150	PAVEMENT PATCHING, TYPE IV, 12 INCH	SQ YD	218	218	
67100100	MOBILIZATION	L SUM	1	1	
70100310	TRAFFIC CONTROL AND PROTECTION, STANDARD 701421	L SUM	1	1	
70300100	SHORT TERM PAVEMENT MARKING	FOOT	3362	3362	
70300150	SHORT TERM PAVEMENT MARKING REMOVAL	SQ FT	560	560	
70300220	TEMPORARY PAVEMENT MARKING - LINE 4"	FOOT	15691	15691	
* 78000200	THERMOPLASTIC PAVEMENT MARKING - LINE 4"	FOOT	15691	15691	
* 78100100	RAISED REFLECTIVE PAVEMENT MARKER	EACH	322	322	

\* SPECIALTY ITEM

SUMMARY OF QUANTITIES				100% STATE	CONSTR. CODE
CODE NO.	ITEM	UNIT	TOTAL QUANTITY	ROADWAY	
				0005	URBAN
78300200	RAISED REFLECTIVE PAVEMENT MARKER REMOVAL	EACH	322	322	
X7015005	CHANGEABLE MESSAGE SIGN	CAL DAY	74	74	
X7030005	TEMPORARY PAVEMENT MARKING REMOVAL	SQ FT	5230	5230	
Ø Z0076604	TRAINEES TRAINING PROGRAM GRADUATE	HOUR	500	500	
Z0034105	MATERIAL TRANSFER DEVICE	TON	2597	2597	

Ø 0042

MODEL Default FILE: \\P:\EGIS\BIDDING\REQ\H10485.PRF\DOT\Documents\DOT\_Office\Bierck\B\Projects\0876151\CACTON\CACTON\DWG\0876151-101-SDD-001

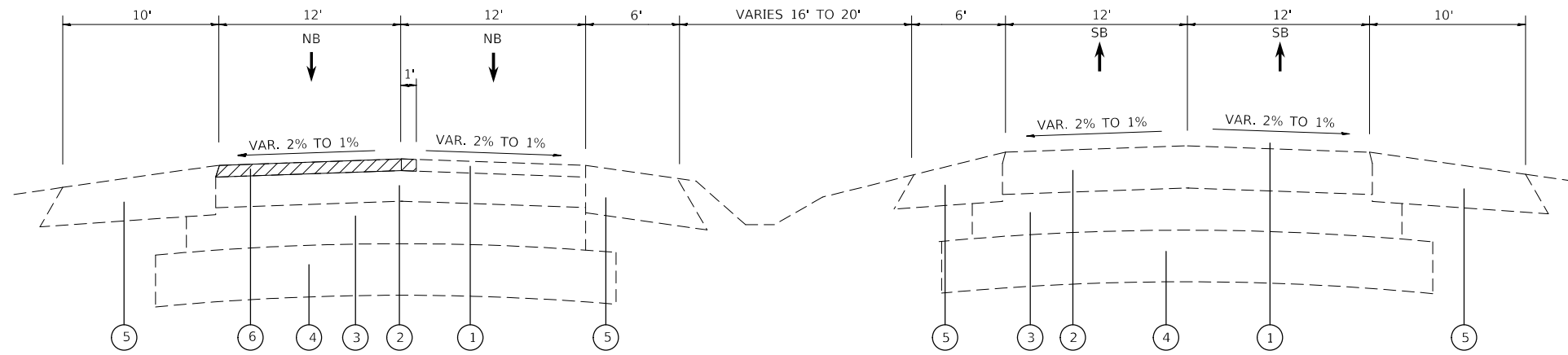
USER NAME = BurnsIdeem	DESIGNED -	REVISED -
PLOT SCALE = 100.0000' / 1" = 100.0000'	DRAWN -	REVISED -
PLOT DATE = 3/16/2018	CHECKED -	REVISED -
	DATE -	REVISED -

**STATE OF ILLINOIS  
DEPARTMENT OF TRANSPORTATION**

**SUMMARY OF QUANTITIES**

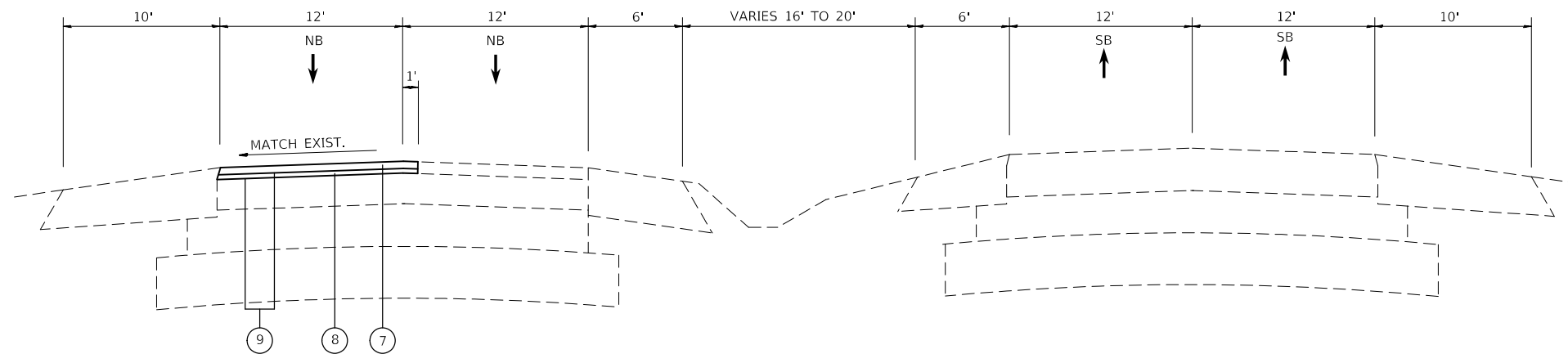
SCALE: SHEET 1 OF 1 SHEETS STA. TO STA.

F.A.P. RTE.	SECTION	COUNTY	TOTAL SHEETS	SHEET NO.
2	(101.102)RS-3.202RS-5	MADISON	6	3
ILLINOIS FED. AID PROJECT CONTRACT NO. 76L61				



EXISTING TYPICAL SECTION

STA. 1213+08 TO STA. 1341+50



PROPOSED TYPICAL SECTION

STA. 1213+08 TO STA. 1341+50

LEGEND

- 1 EXISTING RESURFACING, 2-1/2"
- 2 EXISTING PCC PAVEMENT, 9"
- 3 EXISTING AGGREGATE BASE COURSE, TYPE A, 9"
- 4 EXISTING SUB-BASE, 11"
- 5 EXISTING HMA SHOULDERS, 8"
- 6 PROPOSED HMA SURFACE REMOVAL, 2-1/2"
- 7 PROPOSED HMA SURFACE COURSE, MIX "D", N70, 1-1/2"
- 8 PROPOSED LEVELING BINDER (MACHINE METHOD), IL-9.5FG, N70, 1"
- 9 PROPOSED BITUMINOUS MATERIALS (TACK COAT)

MODEL: Default  
 FILE: \\nas01c.psu.edu\B\BID\NTEC\Illinois\pwr\pwr\DOT\Documents\DOT - Offices\Director\B\Projects\0876161\CAD\data\CAD\sheet\0876161\typical.dgn

USER NAME = Burnsideem	DESIGNED -	REVISED -
	DRAWN -	REVISED -
PLOT SCALE = 100.0000' / in.	CHECKED -	REVISED -
PLOT DATE = 3/16/2018	DATE -	REVISED -

**STATE OF ILLINOIS  
DEPARTMENT OF TRANSPORTATION**

**TYPICAL SECTIONS**

SCALE: SHEET 1 OF 2 SHEETS STA. TO STA.

F.A.P. RTE.	SECTION	COUNTY	TOTAL SHEETS	SHEET NO.
2	(101,102)RS-3, 202RS-5	MADISON	6	4
ILLINOIS FED. AID PROJECT			CONTRACT NO. 76L61	

RESURFACING SCHEDULE						
LOCATION			BITUMINOUS MATERIAL (TACK COAT) -2 LIFTS	LEVEL BINDER COURSE, MIX C, N70, 1L 9.5FG, 1"	HMA SURFACE COURSE, MIX D, N70, 1L 9.5.1-1/2"	HMA SURFACE REMOVAL, 2-1/2"
STA	TO	STA	(POUND)	(TON)	(TON)	(SQYD)
IL 3 - NB DRIVING LN						
1213+08	TO	1341+50	12521.0	1038.8	1558.2	18549.6
TOTAL :			12521	1039	1558	18550

TEMPORARY RAMPS					
STA	LOCATION	RT/LT	W	L	(SQ YD)
IL 3 - NB DRIVING LN					
1213+08	BEGINNING OF PROJECT		12	8.3	11.1
1221+36	CROSSOVER	RT	60	4	26.7
1230+22	CHEMETCO ENTRANCE	RT	80	4	35.6
1230+22	CHEMETCO ENTRANCE	LT	80	4	35.6
1264+23	LAMBERT LN	RT	90	4	40.0
1264+23	LAMBERT LN	LT	90	4	40.0
1271+66	CROSSOVER	RT	50	4	22.2
1296+14	ST. THOMAS RD	RT	70	4	31.1
1296+14	ST. THOMAS RD	LT	70	4	31.1
1311+69	FRANCO LN	RT	130	4	57.8
1311+69	FRANCO LN	LT	80	4	35.6
1328+84	GEIL DR	RT	85	4	37.8
1328+84	GEIL DR	LT	85	4	37.8
1341+50	END OF PROJECT		12	8.3	11.1
TOTAL :					453

PAVEMENT PATCHING 12 INCH SCHEDULE					
LOCATION	LANE	LENGTH (FOOT)	LANE WIDTH (FOOT)	PAVEMENT PATCHING	PAVEMENT PATCHING
				TYPE II (SQYD)	TYPE IV (SQYD)
IL 3 - NORTHBOUND					
1217+83	2	5.0	12.0	6.7	
1228+39	1	6.0	12.0	8.0	
1232+62	2	8.0	12.0	10.7	
1233+67	2	40.0	12.0		53.3
1233+67	1	102.0	12.0		136.0
1333+46	2	4.0	12.0	5.3	
1333+99	2	4.0	12.0	5.3	
SUBTOTAL :				36.0	189.3
ANTICIPATED FAILURES (15%) :				5.4	28.4
TOTAL :				41	218

PAVEMENT MARKING SCHEDULE								
LOCATION			THERMOPLASTIC AND TEMPORARY PAVEMENT MARKING					
			SHORT-TERM		TEMPORARY PAVEMENT MARKING			
STA	TO	STA	SOLID LINE, 4" (WHITE) FOOT	SKIP-DASH LINE, 4" (WHITE) FOOT	SOLID LINE, 4" (YELLOW) FOOT	PAVEMENT MARKING WHITE (2 LIFTS) FOOT	PAVEMENT MARKING REMOVAL (1 LIFT) SQ FT	TEMPORARY PAVEMENT MARKING REMOVAL (1 LIFT) SQ FT
IL 3 - NB DRIVING LN								
1213+08	TO	1341+50	12372.0	3210.5	108.0	3362.3	560.4	5230.2
SUBTOTAL :			12372.0	3210.5	108.0	3362.3	560.4	5230.2
TOTAL :				15691		3362	560	5230

RAISED PAVEMENT MARKERS					
LOCATION			RAISED REFLECTOR PAVEMENT MARKER ONE-WAY CRYSTAL	RAISED REFLECTOR PAVEMENT MARKER REMOVAL	
STA	TO	STA	(EACH)	(EACH)	
IL 3 - NB DRIVING LN					
1213+08	TO	1341+50	322	322	
TOTAL :			322	322	

MODEL: Default  
 FILE: Model\_PlanView.dwg  
 PROJECT: 101102RS-3, 202RS-5  
 OFFICE: 101102RS-3, 202RS-5  
 PROJECT: 101102RS-3, 202RS-5  
 PROJECT: 101102RS-3, 202RS-5

USER NAME = Burnsdeem	DESIGNED -	REVISED -
	DRAWN -	REVISED -
PLOT SCALE = 100.0000 ' / in.	CHECKED -	REVISED -
PLOT DATE = 3/16/2018	DATE -	REVISED -

**STATE OF ILLINOIS  
DEPARTMENT OF TRANSPORTATION**

SCHEDULE OF QUANTITIES			
SCALE:	SHEET	OF SHEETS	STA. TO STA.

F.A.P. RTE.	SECTION	COUNTY	TOTAL SHEETS	SHEET NO.
2	(101.102)RS-3,202RS-5	MADISON	6	5
				CONTRACT NO. 76L61
		ILLINOIS	FED. AID PROJECT	

BEGIN PROJECT AT CONSTRUCTION JOINT  
STA. 1213+08

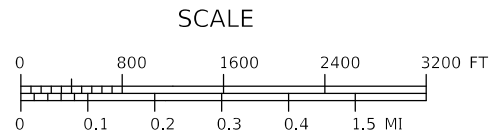
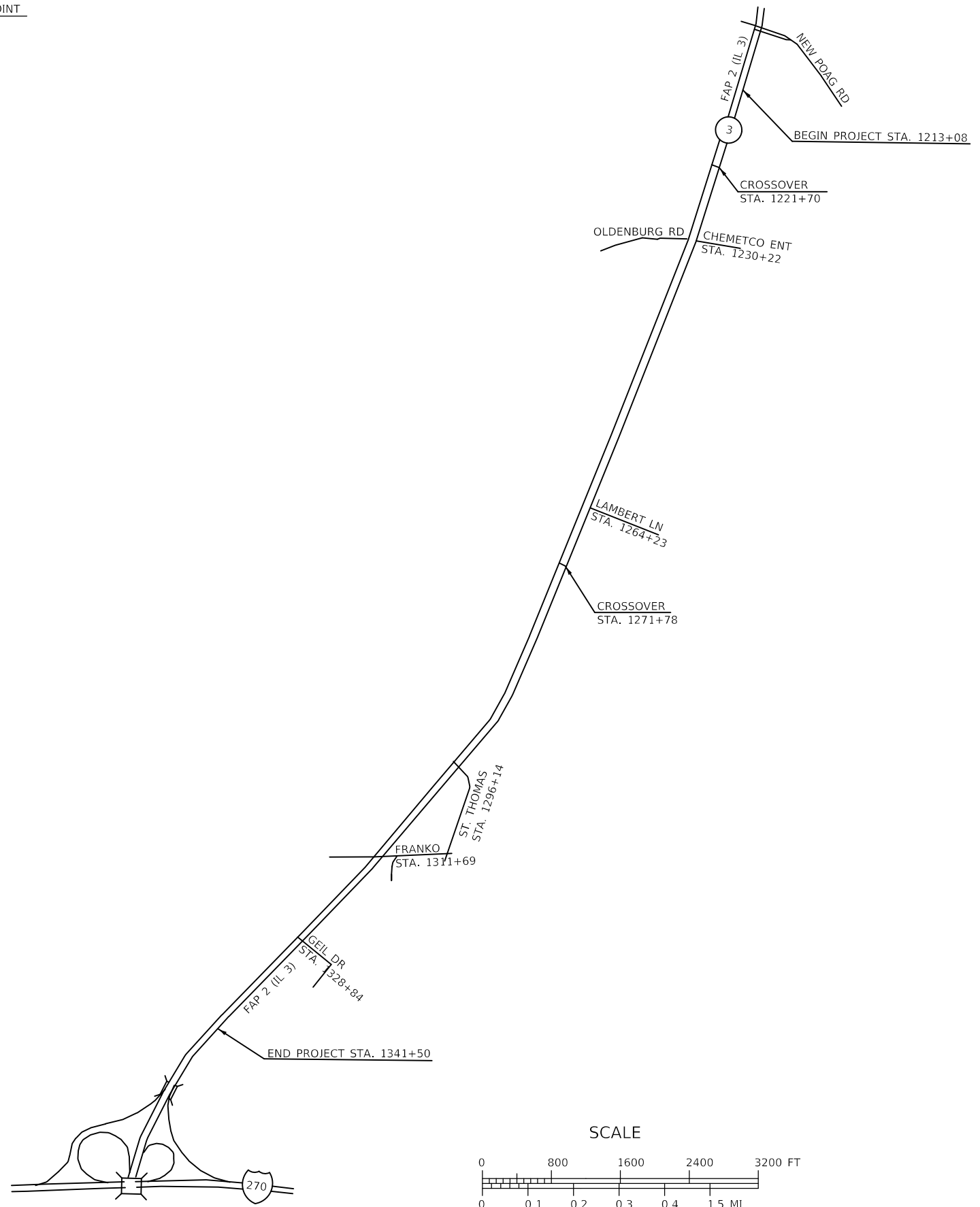


NOT TO SCALE

END PROJECT AT CONSTRUCTION JOINT  
STA. 1341+50



NOT TO SCALE



MODEL: Default  
FILE: \\nas01c.pva\ill08\BID\NTEC\Illinois\gov\PIV\DOT\Documents\DOT\_Offices\Director\B\Projects\0876161\CAD\data\CAD\sheet\0876161\_s1r1c1.dgn

USER NAME = Burnsdeem	DESIGNED -	REVISED -
	DRAWN -	REVISED -
PLOT SCALE = 100,0000' / in.	CHECKED -	REVISED -
PLOT DATE = 3/16/2018	DATE -	REVISED -

**STATE OF ILLINOIS  
DEPARTMENT OF TRANSPORTATION**

<b>LOCATION MAP</b>			
SCALE:	SHEET 1	OF 1	SHEETS
	STA.	TO STA.	

F.A.P. RTE. 2	SECTION (101.102)RS-3,202RS-5	COUNTY MADISON	TOTAL SHEETS 6	SHEET NO. 6
CONTRACT NO. 76L61				
ILLINOIS		FED. AID PROJECT		