

STATE OF ILLINOIS
DEPARTMENT OF TRANSPORTATION

F.A.P. RTE.	SECTION	COUNTY	TOTAL SHEETS	SHEET NO.
327	DIST 8 PATCHING 2018-2	CLINTON	8	1
		ILLINOIS	CONTRACT NO. 76L65	

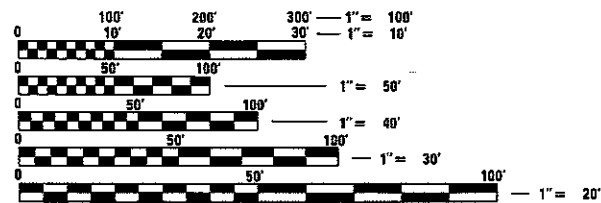
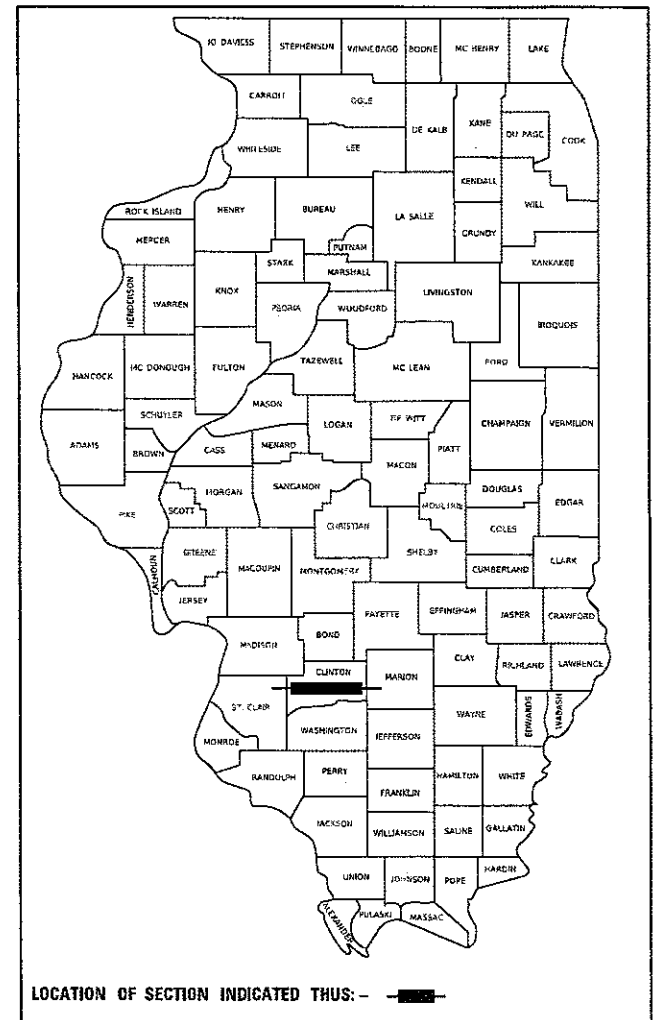
FOR INDEX OF SHEETS, SEE SHEET NO. 2

**PROPOSED
HIGHWAY PLANS**

F.A.P. ROUTE 327 (US 50)
SECTION DIST 8 PATCHING 2018-2
PATCHING
CLINTON COUNTY

C-98-260-18

D-98-076-18

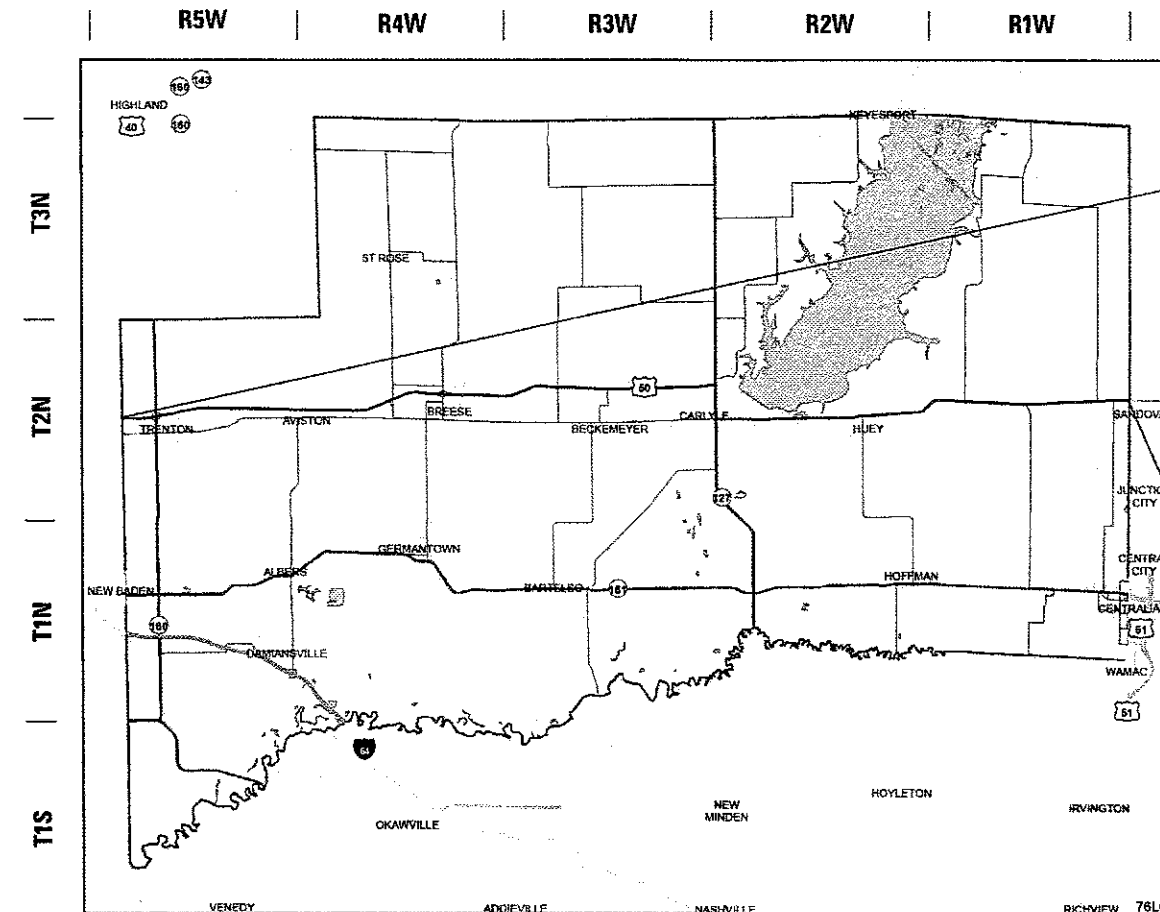


FULL SIZE PLANS HAVE BEEN PREPARED USING STANDARD ENGINEERING SCALES. REDUCED SIZED PLANS WILL NOT CONFORM TO STANDARD SCALES. IN MAKING MEASUREMENTS ON REDUCED PLANS, THE ABOVE SCALES MAY BE USED.

J.U.L.I.E.
JOINT UTILITY LOCATION INFORMATION FOR EXCAVATION
1-800-892-0123
OR 811

PROJECT ENGINEER HERVE GELIN (618) 346-3179
PROJECT MANAGER BILLIE OWEN (618) 346-3209

CONTRACT NO. 76L65



BEGIN PROJECT
LAT: 38.61171
LONG: -89.70656

END PROJECT
LAT: 38.61643
LONG: -89.14071

MAP NOT TO SCALE

GROSS /NET LENGTH = 32.02 MILE

STATE OF ILLINOIS
DEPARTMENT OF TRANSPORTATION

SUBMITTED *March 20, 2018*

Jeffrey Z. K...
REGIONAL ENGINEER

Margit A. Etk...
ENGINEER OF DESIGN AND ENVIRONMENT

Paul P. Ch...
DIRECTOR OF HIGHWAYS PROJECT IMPLEMENTATION

PRINTED BY THE AUTHORITY
OF THE STATE OF ILLINOIS

INDEX OF SHEETS

- 1 COVER SHEET
- 2 INDEX OF SHEETS, HIGHWAY STANDARDS, GENERAL NOTES, COMMITMENTS AND ADT
- 3 SUMMARY OF QUANTITIES
- 4 TYPICAL SECTIONS
- 5-8 SCHEDULES

HIGHWAY STANDARDS

- 000001-06
- 001001-02
- 001006
- 442001-04
- 701201-04
- 701301-04
- 701311-03
- 701336-06
- 701421-08
- 701426-09
- 701502-08
- 701901-07

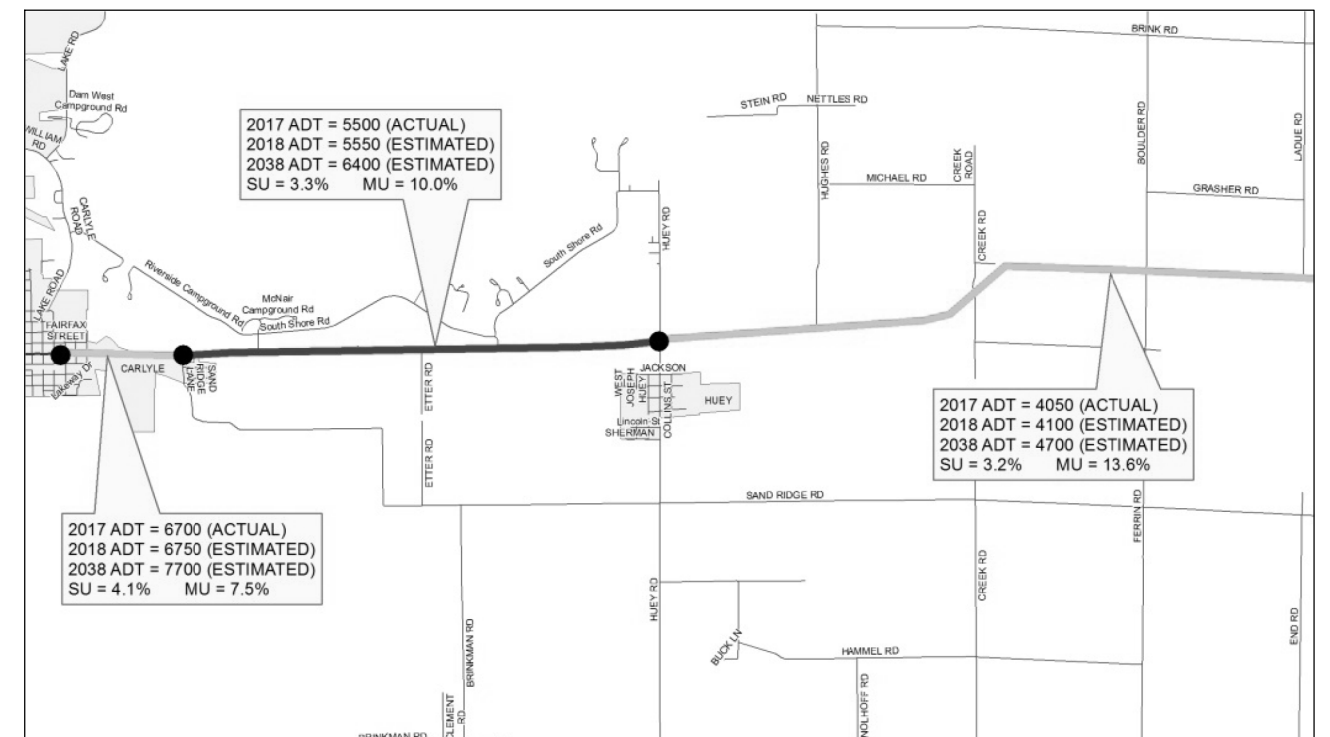
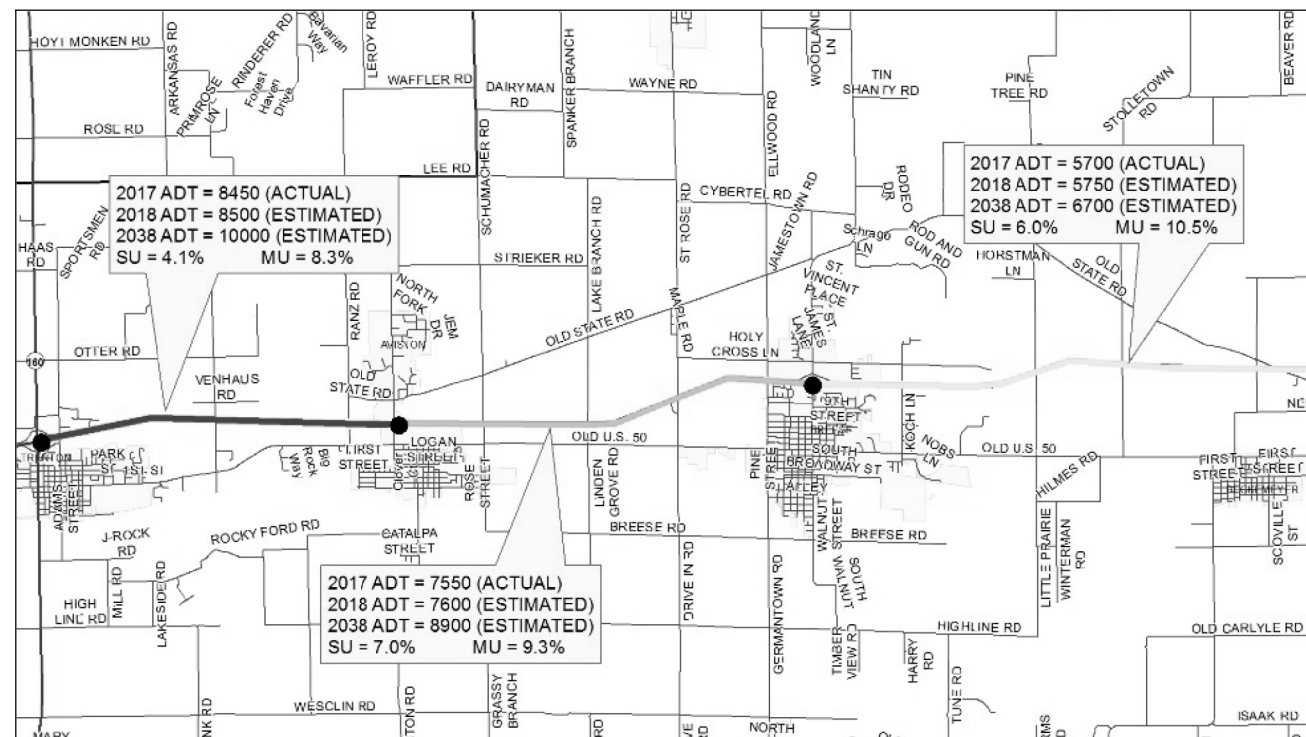
GENERAL NOTES

- 1 ILLINOIS STATE LAW REQUIRES A 48-HOUR NOTICE TO BE GIVEN TO UTILITIES BEFORE DIGGING. FIELD MARKING OF FACILITIES MAY BE OBTAINED BY CONTACTING J.U.L.I.E. (1-800-892-0123 OR 811) OR FOR NON-MEMBERS THE UTILITY COMPANY DIRECTLY.
- 2 PAVEMENT MARKING QUANTITY HAS BEEN CALCULATED FOR IMPACT TO BOTH SOLID CENTERLINE AND EDGE LINE. ADJUSTMENTS WILL NEED TO BE MADE FOR HALF-LANE PATCHES AND OR PATCHES THAT DO NOT IMPACT CENTERLINE MARKINGS.
- 3 NO OVERNIGHT LANE CLOSURES WILL BE PERMITTED.
- 4 TYPICAL SECTIONS INCLUDED FOR THE AREAS COVERED BY THE PATCHING SCHEDULES. IF ADDITIONAL LOCATIONS ARE ADDED, MICROFILM TYPICAL SECTIONS ARE AVAILABLE IN THE DISTRICT OFFICE.

COMMITMENTS

NONE

ADT



STATE OF ILLINOIS
DEPARTMENT OF TRANSPORTATION

INDEX OF SHEETS, HIGHWAY STANDARDS
GENERAL NOTES, COMMITMENTS AND ADT

USER NAME = challandeske	DESIGNED -	REVISED -
PLOT SCALE = 100,0000' / in.	DRAWN -	REVISED -
PLOT DATE = 3/22/2018	CHECKED -	REVISED -
	DATE -	REVISED -

SCALE:	SHEET	OF	SHEETS	STA.	TO	STA.
--------	-------	----	--------	------	----	------

F.A.P. RTE.	SECTION	COUNTY	TOTAL SHEETS	SHEET NO.
327	DIST 8 PATCHING 2018-2	CLINTON	8	2
CONTRACT NO. 76L65				
ILLINOIS		FED. AID PROJECT		

MODEL: Default
FILE NAME: P:\PROJECTS\2018\2018-2\Documents\DOT - Office\District 8\Projects\2018-2\76L65\2018-2\76L65-2\FG\genocor.dgn

CODE NO.	ITEM	UNIT	TOTAL QUANTITY	CONSTRUCTION CODE	
				ROADWAY 0006 RURAL	ROADWAY 0006 URBAN
				100% STATE	
44200525	CLASS A PATCHES, TYPE I, 8 INCH	SQ YD	213	213	
44200529	CLASS A PATCHES, TYPE II, 8 INCH	SQ YD	1023	1002	21
44200533	CLASS A PATCHES, TYPE III, 8 INCH	SQ YD	703	703	
44200535	CLASS A PATCHES, TYPE IV, 8 INCH	SQ YD	1060	1060	
44213000	PATCHING REINFORCEMENT	SQ YD	2964	2943	21
44213200	SAW CUTS	FOOT	15378	15186	192
44213204	TIE BARS 3/4"	EACH	526	526	
67100100	MOBILIZATION	L SUM	1	0.99	0.01
70100310	TRAFFIC CONTROL AND PROTECTION, STANDARD 701421	L SUM	1		1
70100450	TRAFFIC CONTROL AND PROTECTION, STANDARD 701201	L SUM	1	1	
70100600	TRAFFIC CONTROL AND PROTECTION, STANDARD 701336	L SUM	1	1	
70102622	TRAFFIC CONTROL AND PROTECTION, STANDARD 701502	L SUM	1	1	
* 78001110	PAINT PAVEMENT MARKING - LINE 4"	FOOT	5692	5660	32
* 78100100	RAISED REFLECTIVE PAVEMENT MARKER	EACH	244	241	3
Ø Z0076604	TRAINEES TRAINING PROGRAM GRADUATE	HOUR	500	500	

* SPECIALTY ITEM Ø 0042

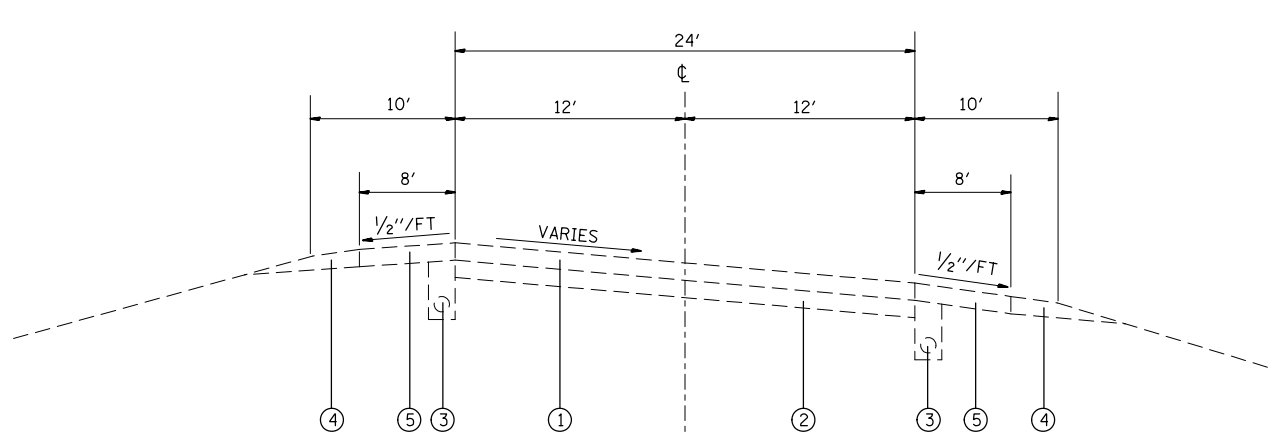
MODEL: C:\pawt...
 FILE NAME: C:\pawt...
 PROJECT: DIST 8 PATCHING 2018-2

USER NAME = challandeske	DESIGNED -	REVISED -
PLOT SCALE = 100.0000' / in.	DRAWN -	REVISED -
PLOT DATE = 3/23/2018	CHECKED -	REVISED -
	DATE -	REVISED -

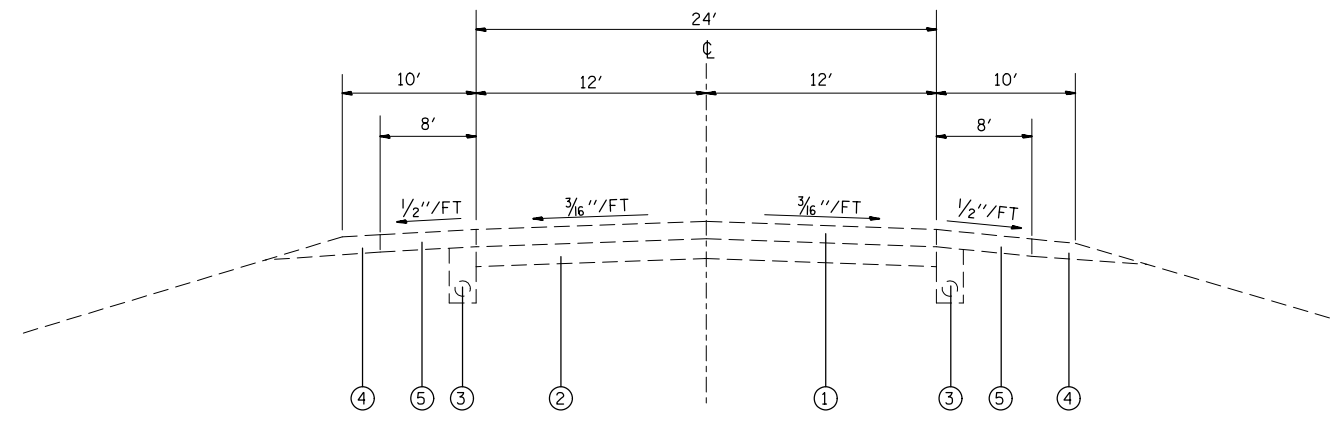
**STATE OF ILLINOIS
DEPARTMENT OF TRANSPORTATION**

SUMMARY OF QUANTITIES				
SCALE:	SHEET	OF	SHEETS	SIA.
				TO SIA.

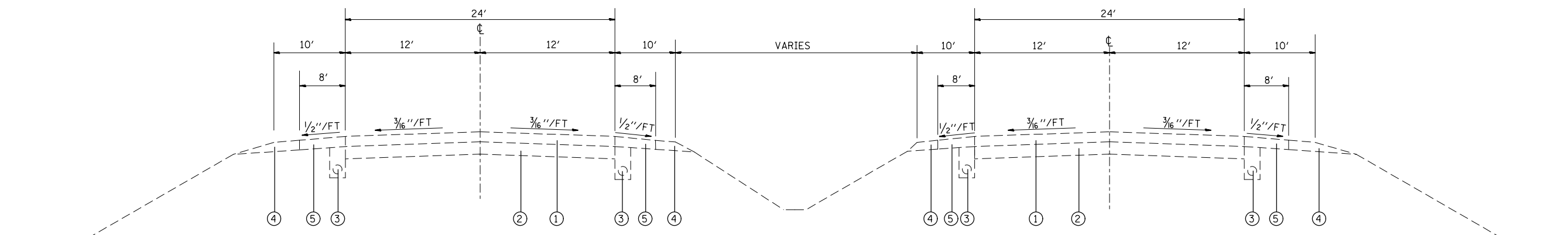
F.A.P. RTE.	SECTION	COUNTY	TOTAL SHEETS	SHEET NO.
327	DIST 8 PATCHING 2018-2	CLINTON	8	3
ILLINOIS FED. AID PROJECT CONTRACT NO. 76L65				



US ROUTE 50
 •STA 2921+12 TO STA 2944+09
 STA 3011+89 TO STA 3034+06
 STA 3169+28 TO STA 3190+25



US ROUTE 50
 •STA 2772+65 TO STA 2921+12
 •STA 2944+09 TO STA 2978+94
 STA 2978+94 TO STA 3011+89
 STA 3034+06 TO STA 3042+14
 STA 3109+15 TO STA 3169+28



US ROUTE 50
 STA 3042+14 TO STA 3109+15

LEGEND

- ① EXISTING CRPCC PAVEMENT 7", 8", OR 9" (SEE SCHEDULE)
- ② EXISTING STABILIZED SUB-BASE CAM II 4"
- ③ EXISTING PIPE UNDERDRAINS 4"
- ④ EXISTING AGGREGATE SHOULDER TYPE B
- ⑤ EXISTING P.C. CONCRETE SHOULDER
- EXISTING HMA SHOULDERS

PAVEMENT DEPTH SCHEDULE			
STATION	TO	STATION	DEPTH
2772+65	TO	2980+26	8"
2980+26	TO	3005+50	9"
3005+50	TO	3037+49	8"
3037+49	TO	3074+35	8"
3074+35	TO	3075+67	BA
3077+20	TO	3078+52	BA
3078+52	TO	3117+70	8"
3117+70	TO	3144+47	8"
3144+47	TO	3190+25	7"
BA - BRIDGE APPROACH PAVEMENT			

MODEL: Default
 FILE: \\mhc-pw\ulb\BEBID\NTEC\Illinois\gov\p\WIDOT\Documents\11DOT_Offices\Director\B\Projects\0876165\CADD\data\CAD\sheet\0876165-shc-typr\cal.dgn

USER NAME = challandeske	DESIGNED -	REVISED -
	DRAWN -	REVISED -
PLOT SCALE = 100.0000' / in.	CHECKED -	REVISED -
PLOT DATE = 3/19/2018	DATE -	REVISED -

**STATE OF ILLINOIS
 DEPARTMENT OF TRANSPORTATION**

TYPICAL SECTIONS				
SCALE:	SHEET	OF	SHEETS	STA. TO STA.

F.A.P. RTE.	SECTION	COUNTY	TOTAL SHEETS	SHEET NO.
327	DIST 8 PATCHING 2018-2	CLINTON	8	4
CONTRACT NO. 76L65				
ILLINOIS FED. AID PROJECT				

PATCHING SCHEDULE table with columns: LOCATION, EB/WB, SIZE, CLASS A PATCH - 8" (TYPE I-IV), SAW CUTS (HMA SHLDR, PCC SHLDR), PATCHING REINFORCEMENT, TIE BARS 3/4". Includes summary row: EB SUB-TOTAL = 114, 522.7, 400.0, 458.7, 7902, 1495.3, 274.

PATCHING SCHEDULE table with columns: LOCATION, EB/WB, SIZE, CLASS A PATCH - 8" (TYPE I-IV), SAW CUTS (HMA SHLDR, PCC SHLDR), PATCHING REINFORCEMENT, TIE BARS 3/4". Contains 45 rows of stationing and measurements.

CONT.

PATCHING SCHEDULE table with columns: LOCATION, EB/WB, SIZE, CLASS A PATCH - 8" (TYPE I-IV), SAW CUTS (HMA SHLDR, PCC SHLDR), PATCHING REINFORCEMENT, TIE BARS 3/4". Contains 45 rows of stationing and measurements.

CONT.

MODEL: Default
FILE: \\nlp01\p01\B&E\ID\ITEC\Illinois\p01\PW\DOT\Documents\DOT - Office\Sheet\DOT - Office\Sheet\DOT\76L65-Patching.dgn

Metadata table with columns: USER NAME, DESIGNED, DRAWN, PLOT SCALE, PLOT DATE, CHECKED, DATE, REVISED, REVISIONS.

STATE OF ILLINOIS
DEPARTMENT OF TRANSPORTATION

SCHEDULES

SCALE: SHEET OF SHEETS STA. TO STA.

Project information table with columns: F.A.P. RTE., SECTION, COUNTY, TOTAL SHEETS, SHEET NO., CONTRACT NO.

PAVEMENT MARKING SCHEDULE							
LOCATION	EB/WB	SIZE			PAINT PAVEMENT MARKING		RAISED REFLECTIVE
		L	x	W	LINE 4" - FOOT		PAVEMENT MARKER
					YELLOW	WHITE	
2776+95	WB	6	x	12	6	6	1
2777+81	WB	8	x	12	8	8	1
2778+31	WB	20	x	12	20	20	1
2778+51	WB	8	x	12	8	8	1
2779+60	WB	6	x	12	6	6	1
2782+17	WB	8	x	12	8	8	1
2782+59	WB	6	x	12	6	6	1
2783+05	WB	40	x	6	40	40	1
2785+55	WB	6	x	12	6	6	1
2791+75	WB	6	x	6	6	6	1
2793+39	WB	15	x	12	15	15	1
2794+91	WB	15	x	12	15	15	1
2796+04	WB	6	x	12	6	6	1
2796+36	WB	12	x	12	12	12	1
2797+17	WB	6	x	12	6	6	1
2800+08	WB	6	x	6	6	6	1
2804+48	WB	30	x	12	30	30	1
2805+44	WB	6	x	12	6	6	1
2806+68	WB	26	x	12	26	26	1
2809+59	WB	6	x	12	6	6	1
2810+45	WB	14	x	12	14	14	1
2811+43	WB	20	x	6	20	20	1
2812+57	WB	100	x	6	100	100	2
2815+18	WB	20	x	6	20	20	1
2816+66	WB	26	x	6	26	26	1
2816+66	WB	10	x	12	10	10	1
2817+75	WB	4.5	x	12	4.5	4.5	1
2817+97	WB	10	x	6	10	10	1
2818+77	WB	15	x	12	15	15	1
2819+68	WB	10	x	12	10	10	1
2820+29	WB	8	x	12	8	8	1
2820+99	WB	40	x	12	40	40	1
2823+19	WB	10	x	6	10	10	1
2823+59	WB	40	x	12	40	40	1
2823+87	WB	25	x	6	25	25	1
2824+00	WB	6	x	6	6	6	1
2824+41	WB	10	x	6	10	10	1
2824+64	WB	6	x	6	6	6	1
2825+26	WB	12	x	12	12	12	1
2825+86	WB	6	x	6	6	6	1
2828+34	WB	6	x	6	6	6	1
2828+71	WB	12	x	12	12	12	1
2829+51	WB	10	x	12	10	10	1
2829+76	WB	6	x	12	6	6	1
2830+25	WB	25	x	12	25	25	1
2830+85	WB	6	x	6	6	6	1
2831+24	WB	6	x	12	6	6	1
2839+74	WB	8	x	12	8	8	1
2842+25	WB	6	x	6	6	6	1
2844+48	WB	6	x	6	6	6	1
2845+76	WB	6	x	6	6	6	1
2847+72	WB	6	x	12	6	6	1
2849+04	WB	12	x	6	12	12	1
2849+72	WB	8	x	12	8	8	1
2852+66	WB	6	x	6	6	6	1
2853+60	WB	6	x	6	6	6	1
2854+18	WB	6	x	6	6	6	1

CONT.

PAVEMENT MARKING SCHEDULE							
LOCATION	EB/WB	SIZE			PAINT PAVEMENT MARKING		RAISED REFLECTIVE
		L	x	W	LINE 4" - FOOT		PAVEMENT MARKER
					YELLOW	WHITE	
2856+90	WB	9	x	12	9	9	1
2859+37	WB	6	x	6	6	6	1
2859+61	WB	4.5	x	12	4.5	4.5	1
2860+85	WB	6	x	6	6	6	1
2861+15	WB	4.5	x	6	4.5	4.5	1
2863+88	WB	6	x	12	6	6	1
2865+84	WB	6	x	12	6	6	1
2867+10	WB	14	x	12	14	14	1
2869+44	WB	6	x	6	6	6	1
2869+95	WB	4.5	x	12	4.5	4.5	1
2872+06	WB	8	x	12	8	8	1
2878+97	WB	30	x	6	30	30	1
2879+84	WB	7	x	12	7	7	1
2879+97	WB	4.5	x	12	4.5	4.5	1
2882+11	WB	10	x	12	10	10	1
2885+53	WB	12	x	12	12	12	1
2886+02	WB	6	x	6	6	6	1
2886+64	WB	6	x	12	6	6	1
2889+21	WB	40	x	12	40	40	1
2890+93	WB	6	x	6	6	6	1
2891+76	WB	8	x	12	8	8	1
2893+58	WB	6	x	12	6	6	1
2895+46	WB	6	x	12	6	6	1
2903+96	WB	4.5	x	12	4.5	4.5	1
2908+36	WB	20	x	12	20	20	1
2908+86	WB	20	x	12	20	20	1
2909+23	WB	4.5	x	12	4.5	4.5	1
2909+81	WB	6	x	12	6	6	1
2917+27	WB	4.5	x	12	4.5	4.5	1
2918+36	WB	12	x	12	12	12	1
2920+62	WB	6	x	6	6	6	1
2923+54	WB	6	x	6	6	6	1
2924+75	WB	6	x	6	6	6	1
2927+19	WB	20	x	12	20	20	1
2930+81	WB	4.5	x	12	4.5	4.5	1
2934+99	WB	50	x	12	50	50	1
2938+20	WB	6	x	6	6	6	1
2940+94	WB	4.5	x	12	4.5	4.5	1
2941+81	WB	16	x	6	16	16	1
2944+47	WB	15	x	12	15	15	1
2946+51	WB	4.5	x	12	4.5	4.5	1
2947+04	WB	6	x	12	6	6	1
2947+45	WB	12	x	12	12	12	1
2949+66	WB	4.5	x	12	4.5	4.5	1
2949+92	WB	6	x	12	6	6	1
2950+32	WB	4.5	x	12	4.5	4.5	1
2951+58	WB	20	x	12	20	20	1
2952+23	WB	12	x	12	12	12	1
2953+03	WB	15	x	12	15	15	1
2953+87	WB	6	x	12	6	6	1
2962+00	WB	6	x	6	6	6	1
2963+40	WB	6	x	12	6	6	1
2965+45	WB	30	x	12	30	30	1
2966+36	WB	6	x	6	6	6	1
2967+22	WB	4	x	12	4	4	1
2984+79	WB	6	x	12	6	6	1
** 3082+89	WB DL	6	x	12	6	6	1

**

CONT.

PAVEMENT MARKING SCHEDULE							
LOCATION	EB/WB	SIZE			PAINT PAVEMENT MARKING		RAISED REFLECTIVE
		L	x	W	LINE 4" - FOOT		PAVEMENT MARKER
					YELLOW	WHITE	
** 3082+89	WB PL	6	x	12	6	6	1
** 3103+47	WB DL	4	x	12	4	4	1
WB SUB-TOTAL =					1361.5	1361.5	117
GRAND TOTAL					5692		244

** URBAN

MODEL: Default
FILE: \\s:\b\8\BEBID\NTEC\Illinois\poc\p\WD\DOT\Documents\DOT - Office\Director - Projects\08765\GIS\CAD\data\CAD\sheet\08765\p\sheet\08765.dgn

USER NAME = challandeske	DESIGNED -	REVISED -
PLOT SCALE = 100,0000' / in.	DRAWN -	REVISED -
PLOT DATE = 3/23/2018	CHECKED -	REVISED -
	DATE -	REVISED -

**STATE OF ILLINOIS
DEPARTMENT OF TRANSPORTATION**

SCHEDULES

SCALE: SHEET OF SHEETS STA. TO STA.

F.A.P. RTE.	SECTION	COUNTY	TOTAL SHEETS	SHEET NO.
327	DIST 8 PATCHING 2018-2	CLINTON	8	8
CONTRACT NO. 76L65				
ILLINOIS FED. AID PROJECT				