

STATE OF ILLINOIS  
DEPARTMENT OF TRANSPORTATION

PROPOSED  
HIGHWAY PLANS

VARIOUS ROUTES  
SECTION D3-J REPLACEMENT FY 2018  
PROJECT HSIP-J711(634)  
GUARDRAIL END SECTION REPLACEMENT  
DEKALB AND KENDALL COUNTIES

C-93-003-18

F.A. RTE.	SECTION	COUNTY	TOTAL SHEETS	SHEET NO.
VAR	D3-J REPLACEMENT FY 2018	VARIOUS	32	1
		ILLINOIS	CONTRACT NO. 66H68	

INDEX OF SHEETS

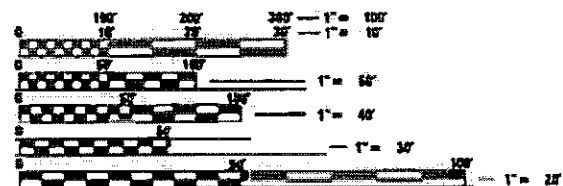
SHEET NO.	DESCRIPTION
1	COVER SHEET
2	GENERAL NOTES
3-4	SUMMARY OF QUANTITIES
5-6	COUNTY LOCATION MAPS
7-8	SCHEDULE OF QUANTITIES
9-10	LOC 1, 019-0026
11	LOC 2, 019-003
12	LOC 4, 019-2549
13	LOC 5, 019-1064
14	LOC 6, 019-1072
15-19	LOC 7, 047-0006
20-21	LOC 10, 047-0053

INDEX OF SHEETS

SHEET NO.	DESCRIPTION
22	LOC 12, 047-11071
23	LOC 14, 047-11071
24	LOC 16, 047-11071
25	LOC 18, 047-11071
26	LOC 19, 047-11071
27-28	LOC 20, 047-11071
29	LOC 21, 047-11071
30	LOC 23, 047-11071
31	LOC 24, 047-11071
32	DISTRICT DETAILS

HIGHWAY STANDARDS

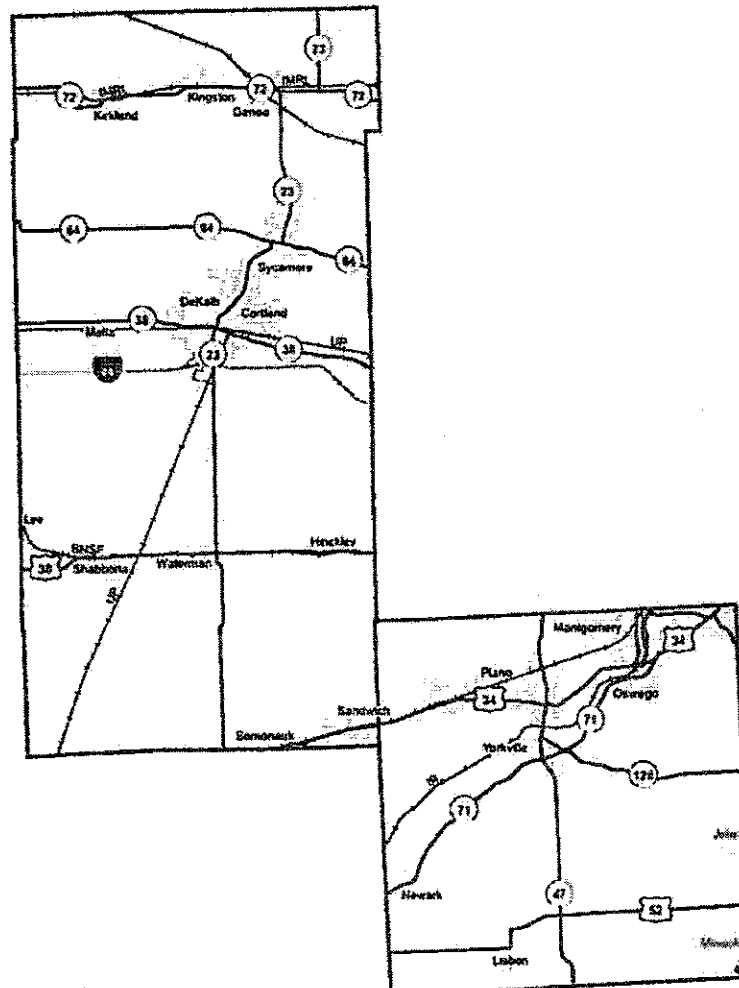
STD. NO.	TITLE
000001-06	STANDARD SYMBOLS, ABBREVIATIONS AND PATTERNS
001001-02	AREAS OF REINFORCEMENT BARS
001006-	DECIMAL OF AN INCH AND OF A FOOT
606001-07	CONCRETE CURB TYPE B AND COMBINATION CURB AND GUTTER
630001-12	STEEL PLATE BEAM GUARDRAIL
631011-10	STRONG POST GUARDRAIL ATTACHED TO CULVERT
631016-02	LONG-SPAN GUARDRAIL OVER CULVERTS
630301-08	SHOULDER WIDENING FOR TYPE 1 (SPECIAL) GUARDRAIL TERMINALS
631011-10	TRAFFIC BARRIER TERMINAL, TYPE 2
631031-15	TRAFFIC BARRIER TERMINAL, TYPE 6
635001-02	DELINEATORS
701001-02	OFF-RD OPERATIONS, 2L, 2W, MORE THAN 15' (4.5m) AWAY
701006-05	OFF-RD OPERATIONS, 2L, 2W, 15' (4.5m) TO 24" (600m) FROM PAVEMENT EDGE
701011-04	OFF-RD OPERATIONS, 2L, 2W, DAY ONLY
701101-05	OFF-RD OPERATIONS, MULTILANE, 15' (4.5m) TO 24" (600m) FROM PAVEMENT EDGE
701106-02	OFF-RD OPERATIONS, MULTILANE, MORE THAN 15' (4.5m) AWAY
701201-04	LANE CLOSURE, 2L, 2W, DAY ONLY, FOR SPEEDS + 45 MPH
701301-04	LANE CLOSURE, 2L, 2W, SHORT TIME OPERATIONS
701326-04	LANE CLOSURE, 2L, 2W, PAVEMENT WIDENING, FOR SPEEDS + 45 MPH
701501-06	URBAN LANE CLOSURE, 2L, 2W, UNDIVIDED
701601-09	URBAN LANE CLOSURE, MULTILANE, 1W OR 2W WITH NONTRAVERSABLE MEDIAN
701901-07	TRAFFIC CONTROL DEVICES
725001-01	OBJECT AND TERMINAL MARKERS
782006	GUARDRAIL AND BARRIER WALL REFLECTOR MOUNTING DETAILS



FULL SIZE PLANS HAVE BEEN PREPARED USING STANDARD ENGINEERING SCALES. REDUCED SIZED PLANS WILL NOT CONFORM TO STANDARD SCALES. IN MAKING MEASUREMENTS ON REDUCED PLANS, THE ABOVE SCALES MAY BE USED.

J.U.L.I.E.  
JOINT UTILITY LOCATION INFORMATION FOR EXCAVATION  
1-800-852-0123  
OR 811

PROJECT ENGINEER JOE KANNEL, P.E.  
UNIT CHIEF MARC BUDZYNSKI, P.E.  
DISTRICT 3 NO. (815) 434-6131  
CONTRACT NO. 66H68



PROFESSIONAL ENGINEER'S SIGN & SEAL  
*Joe Kannel*  
EXPIRES: 11/30/19

STATE OF ILLINOIS  
DEPARTMENT OF TRANSPORTATION  
DIVISION OF HIGHWAYS  
SUBMITTED: 4-3-2018  
*Michael* REGIONAL ENGINEER  
*Mary H* ENGINEER OF DESIGN AND ENVIRONMENT  
*David* DIRECTOR OF HIGHWAYS PROJECT IMPLEMENTATION

PRINTED BY THE AUTHORITY  
OF THE STATE OF ILLINOIS

**GENERAL NOTES**

1. FOR STABILIZATION, ALL TYPE III BARRICADES WILL REQUIRE A MINIMUM OF FOUR SAND BAGS PER BARRICADE.
2. SEEDING WILL NOT BE PERMITTED AT ANY TIME WHEN THE GROUND IS FROZEN, WET, OR IN AN UNTILLABLE CONDITION. LOCATIONS TO BE SEEDED WILL BE DETERMINED BY THE ENGINEER.
3. ABANDONED UNDERGROUND UTILITIES THAT CONFLICT WITH CONSTRUCTION SHALL BE DISPOSED OF OUTSIDE THE LIMITS OF THE RIGHT OF WAY ACCORDING TO ARTICLE 202.03 OF THE STANDARD SPECIFICATIONS AND AS DIRECTED BY THE ENGINEER. THIS WORK WILL NOT BE PAID FOR SEPARATELY, BUT WILL BE INCLUDED IN THE COST OF EARTH EXCAVATION.
4. ANY REFERENCE TO A STANDARD IN THESE PLANS SHALL BE INTERPRETED TO MEAN THE EDITION AS INDICATED BY THE SUBNUMBER SHOWN IN THE LIST OF STANDARDS OR THE COPY INCLUDED IN THESE PLANS.
5. THE CONTRACTOR'S ATTENTION IS DIRECTED TO THE PRESENCE OF DEPARTMENT-OWNED UNDERGROUND ELECTRICAL CABLE WITHIN THE LIMITS OF THE PROPOSED IMPROVEMENT. THE CONTRACTOR SHALL REQUEST THE ILLINOIS DEPARTMENT OF TRANSPORTATION IN OTTAWA (815-434-8417) TO LOCATE THE UNDERGROUND FACILITIES, PROVIDING A MINIMUM OF 72 HOURS NOTICE. THE DEPARTMENT IS NOT A MEMBER OF THE JOINT UTILITY LOCATING INFORMATION FOR EXCAVATORS (JULIE) SYSTEM.
6. ALL DAMAGE TO DEPARTMENT OWNED UNDERGROUND FACILITIES, CAUSED BY THE CONTRACTOR SHALL BE REPAIRED TO THE SATISFACTION OF THE DEPARTMENT AT THE CONTRACTOR'S EXPENSE. THIS SHALL INCLUDE ALL TEMPORARY REPAIRS REQUIRED TO KEEP THE FACILITY OPERATIONAL WHILE MATERIAL IS BEING OBTAINED TO MAKE PERMANENT REPAIRS. SPLICING OF ELECTRIC CABLE WILL NOT BE ALLOWED. ELECTRIC CABLE SHALL BE REPLACED FROM POLE TO POLE OR CONTROLLER.
7. NON-MEMBERS OF JULIE KNOWN TO BE WITHIN THE LIMITS OF THE IMPROVEMENT ARE: ILLINOIS DEPARTMENT OF TRANSPORTATION. SEE LOCATION 10.
8. THE FINISHED EARTHWORK SHALL HAVE A VEGETATION SUSTAINING SOIL COVERING THE TOP FOUR INCHES (100 MILLIMETERS) IN AREAS TO BE SEEDED OR SODDED. THE VEGETATION SUSTAINING SOIL REQUIRED WILL NOT BE PAID FOR SEPARATELY BUT WILL BE INCLUDED IN THE COST OF FURNISHED EXCAVATION.
9. ALL EXCAVATED MATERIAL, WHICH INCLUDES DIGGING OR GRADING OF ANY SOIL OR FILL MATERIAL, WITH THE EXCEPTION OF AGGREGATE FILLS, MUST BE INCORPORATED WITHIN THE RIGHT OF WAY DUE TO ENVIRONMENTAL DOCUMENTATION REQUIREMENTS.
10. THERE ARE SEVERAL AREAS THROUGHOUT THE PROJECT WHERE THERE IS EXISTING HMA SHOULDER WHERE CURB AND GUTTER IS TO BE PLACED. REMOVAL OF THE HMA SHOULDER SHALL NOT BE PAID FOR SEPARATELY, BUT SHALL BE INCLUDED IN THE COST OF THE SPBGR.
11. GUARDRAIL POSTS THAT NEED TO BE DRIVEN THROUGH EXISTING HMA SHOULDER OR CONCRETE SHOULDER SHALL NOT BE PAID FOR SEPARATELY, BUT SHALL BE INCLUDED IN THE COST OF SPBGR.
12. DETAILED LOCATION INFORMATION AVAILABLE FROM DISTRICT UPON REQUEST.

**ABBREVIATIONS**

SPBGR TY A 6' = STEEL PLATE BEAM GUARDRAIL, TYPE A, 6 FOOT POSTS  
 SPBGR TY A 9' = STEEL PLATE BEAM GUARDRAIL, TYPE A, 9 FOOT POSTS  
 SPBGR ATTACH TO STR = STEEL PLATE BEAM GUARDRAIL ATTACHED TO STRUCTURE  
 LSG OV CUL = LONG-SPAN GUARDRAIL OVER CULVERT  
 TBT T2 = TRAFFIC BARRIER TERMINAL, TYPE 2  
 TBT T6 = TRAFFIC BARRIER TERMINAL, TYPE 6  
 TBT T6A = TRAFFIC BARRIER TERMINAL, TYPE 6A  
 TBT T1 (SPL) TAN = TRAFFIC BARRIER TERMINAL, TYPE 1 (SPECIAL) TANGENT  
 TBT T1 (SPL) FL = TRAFFIC BARRIER TERMINAL, TYPE 1 (SPECIAL) FLARED  
 TBT T1 = TRAFFIC BARRIER TERMINAL, TYPE 1  
 N.I.C. = NOT IN CONTRACT  
 L.O.N. = LENGTH OF NEED  
 EOTW = EDGE OF TRAVELED WAY  
 EOS = EDGE OF SHOULDER  
 L<sub>b</sub> = DISTANCE FROM EDGE OF TRAVELED WAY TO BARRIER

STATE OF ILLINOIS  
 DEPARTMENT OF TRANSPORTATION  
 DISTRICT THREE  
 AS BUILT INFORMATION

\_\_\_\_\_  
 SUPERVISING CONSTRUCTION FIELD ENGINEER

\_\_\_\_\_  
 RESIDENT ENGINEER / TECHNICIAN

START & END DATES  
 OF CONSTRUCTION: \_\_\_\_\_

INSPECTORS: \_\_\_\_\_

STATE OF ILLINOIS  
 DEPARTMENT OF TRANSPORTATION  
 DISTRICT THREE

PREPARED BY: *Don Basil*  
 DISTRICT STUDIES & PLANS ENGINEER

DATE: 4-3-18

EXAMINED BY: *Therese Vidgren*  
 DISTRICT CONSTRUCTION ENGINEER

*Michael A. Skut*  
 DISTRICT MATERIALS ENGINEER

*Tommy...*  
 DISTRICT OPERATIONS ENGINEER

X:\DATA\2017\2017006-30\CAD\Transportation\ dgn\CAD\_Shts\036618B-shr-GenerallNotes-01.dgn  
 2/22/2018 10:50:18 AM

<b>GRAF</b> 650 S. Maple Road Suite 200 O'Fallon, IL 62451 (618) 397-0112	USER NAME = 1988	DESIGNED -	REVISED -
	PLOT DRIVER = pdfHDLAYERShp.plt	DRAWN -	REVISED -
	PEN TABLE = 28173865-38.tbl	CHECKED -	REVISED -
	PLOT SCALE = 24.8888 / 1.	DATE - 03/27/18	REVISED -

**STATE OF ILLINOIS  
 DEPARTMENT OF TRANSPORTATION**

**GUARDRAIL END SECTION REPLACEMENT  
 GENERAL NOTES**

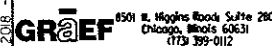
SCALE: 1"=40'    SHEET    OF    SHEETS    STA.    TO    STA.

F.A. RTE.	SECTION	COUNTY	TOTAL SHEETS	SHEET NO.
VAR.	03-J REPLACEMENT 2018	VARIOUS	32	2
			CONTRACT NO. 66H68	
ILLINOIS FED. AID PROJECT				

X:\AD\HY2017\20173006-30\CAD\T on o o Icm\adm\CAD.Sh 03166468-h-s-m0 -01.dgn  
 4/23/2018 1:57:15 PM

CODE NO.	ITEM	UNIT	TOTAL QUANTITY	0021 SAFETY	
				90% FED. 10% STATE	90% FED. 10% STATE
				DEKALB COUNTY	KENDALL COUNTY
20400800	FURNISHED EXCAVATION	CU YD	4.101	721	3,380
25000210	SEEDING CLASS 2A	ACRE	3.9	1.6	2.3
25000400	NITROGEN FERTILIZER NUTRIENT	POUND	359	146	213
25000500	PHOSPHOROUS FERTILIZER NUTRIENT	POUND	359	146	213
25000600	POTASSIUM FERTILIZER NUTRIENT	POUND	359	146	213
25100635	HEAVY DUTY EROSION CONTROL BLANKET	SQ YD	19.051	7,795	11,256
28000400	PERIMETER EROSION BARRIER	FOOT	4,168	1,330	2,838
60600605	CONCRETE CURB, TYPE B	FOOT	135	75	60
* 63000001	STEEL PLATE BEAM GUARDRAIL, TYPE A, 6 FOOT POSTS	FOOT	1,012.5	1,012.5	
* 63000003	STEEL PLATE BEAM GUARDRAIL, TYPE A, 9 FOOT POSTS	FOOT	6,562.0	762.0	5,800.0
* 63000350	LONG-SPAN GUARDRAIL OVER CULVERT, 12 FT 6 IN SPAN	FOOT	637.5	150.0	487.5
* 63000360	LONG-SPAN GUARDRAIL OVER CULVERT, 18 FT 9 IN SPAN	FOOT	175.0	87.5	87.5
* 63100085	TRAFFIC BARRIER TERMINAL, TYPE 6	EACH	13	5	8
* 63100167	TRAFFIC BARRIER TERMINAL, TYPE 1 (SPECIAL) TANGENT	EACH	53	14	39

\* SPECIALTY ITEMS



USER NAME = 1908	DESIGNED -	REVISED -
PILOT DRIVER = pdfnLAYERSbw.pltcf	DRAWN -	REVISED -
PEN TABLE = 20173006-30.tbl	CHECKED -	REVISED -
PLOT SCALE = 100.0000 / in	DATE - 03/27/18	REVISED -

**STATE OF ILLINOIS**  
**DEPARTMENT OF TRANSPORTATION**

**GUARDRAIL END SECTION REPLACEMENT**  
**SUMMARY OF QUANTITIES**

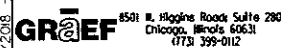
SCALE: 1"=40' SHEET 1 OF 2 SHEETS STA. TO STA.

F.A. RTE.	SECTION	COUNTY	TOTAL SHEETS	SHEET NO.
VAR.	D3-J REPLACEMENT 2018	VARIOUS	32	3
CONTRACT NO. 66H68			ILLINOIS FED. AID PROJECT	

CODE NO.	ITEM	UNIT	TOTAL QUANTITY	0021 SAFETY	
				90% FED. 10% STATE	90% FED. 10% STATE
				DEKALB COUNTY	KENDALL COUNTY
* 63100169	TRAFFIC BARRIER TERMINAL, TYPE 1 (SPECIAL) FLARED	EACH	6	3	3
63200310	GUARDRAIL REMOVAL	FOOT	9,112	2,705	6,407
67100100	MOBILIZATION	LSUM	1	0.3	0.7
70100450	TRAFFIC CONTROL AND PROTECTION, STANDARD 701201	LSUM	1	0.3	0.7
70100500	TRAFFIC CONTROL AND PROTECTION, STANDARD 701326	LSUM	1	0.3	0.7
70102620	TRAFFIC CONTROL AND PROTECTION, STANDARD 701501	LSUM	1	0.3	0.7
70102631	TRAFFIC CONTROL AND PROTECTION, STANDARD 701601	EACH	1		1
* 72501000	TERMINAL MARKER - DIRECT APPLIED	EACH	59	17	42
* 78200005	GUARDRAIL REFLECTORS TYPE A	EACH	169	50	119
X0325667	WEED CONTROL MOWING STRIP (SPECIAL)	50 YD	3,801	963	2,838

\*SPECIALTY ITEMS

X:\OH\2017\20173006-30\CAD\T an o a lon\adgn\CAD.Sh \D366H68-n-s.m0 -0.dgn  
4/2/2018 1:57:51 PM



USER NAME = 1908	DESIGNED -	REVISED -
PLOT DRIVER = pdfNDLAYERSbw.pltcfq	DRAWN -	REVISED -
PEN TABLE = 20173006-30.tbl	CHECKED -	REVISED -
PLOT SCALE = 100.0000 / 1 in.	DATE = 03/27/18	REVISED -

STATE OF ILLINOIS  
DEPARTMENT OF TRANSPORTATION

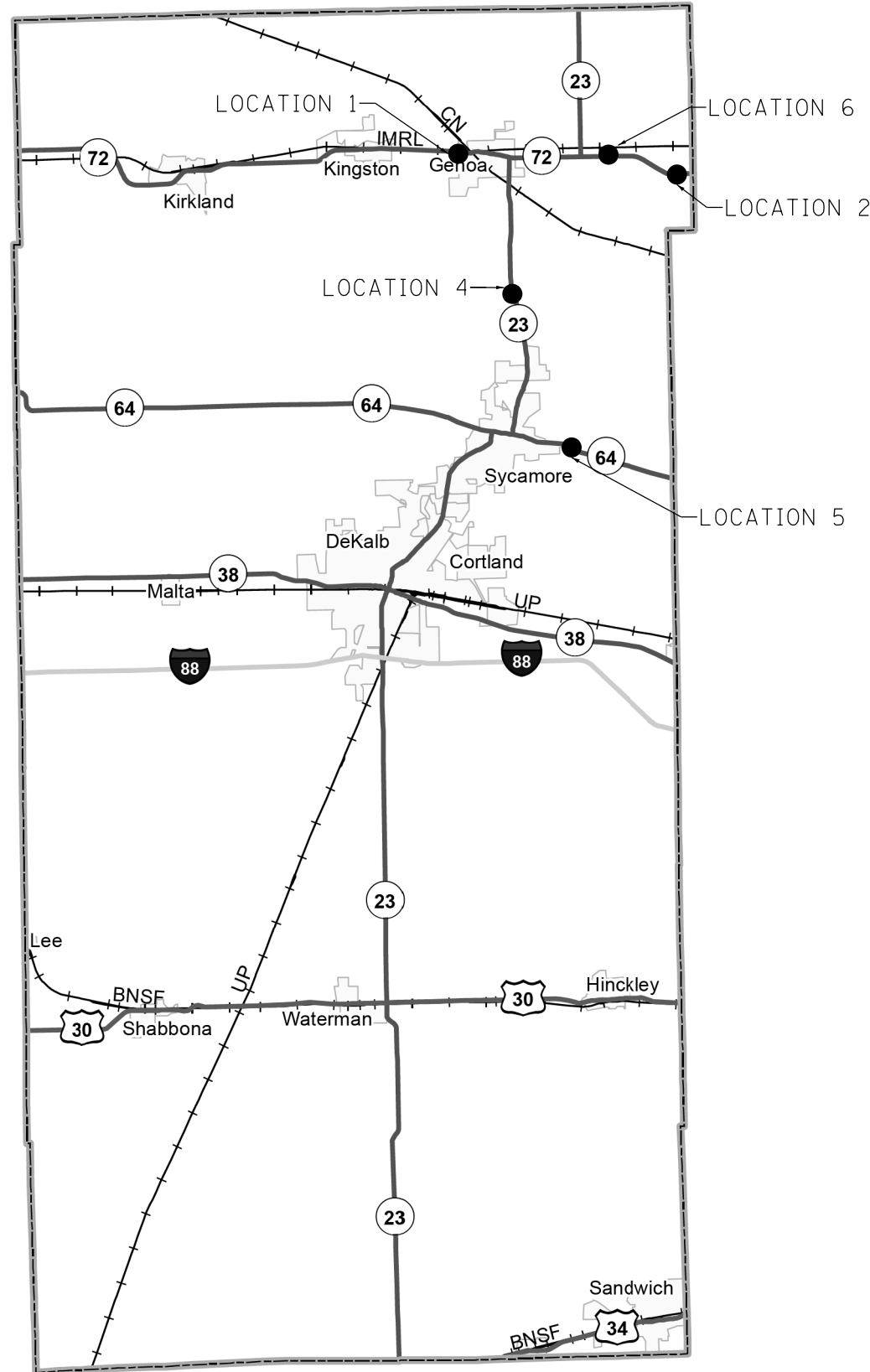
GUARDRAIL END SECTION REPLACEMENT  
SUMMARY OF QUANTITIES

SCALE: 1"=40' SHEET 2 OF 2 SHEETS STA. TO STA.

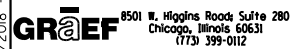
F.A. RTE.	SECTION	COUNTY	TOTAL SHEETS	SHEET NO.
VAR.	D3-J REPLACEMENT 2018	VARIOUS	32	4
CONTRACT NO. 66H68			ILLINOIS FED. AID PROJECT	

REV 5-1-18

X:\WORK\2017\06-30\CAD\Transportation\dgm\CAD\_Shts\D366H68-sht-LocMap-01.dgn  
4/2/2018 3:33:23 PM



Location	Structure No
1	019-0026-003
	019-0026-004
	019-0026-005
	019-0026-006
	019-0026-007
2	019-0026-008
	019-0033-033
	019-0033-034
4	019-0033-035
	019-0033-036
	019-2549-001
	019-2549-002
5	019-2549-003
	019-2549-004
	019-il064-18
	019-il064-21
6	019-il064-19
	019-il064-20
	019-il072-049
	019-il072-050
	019-il072-051
	019-il072-052



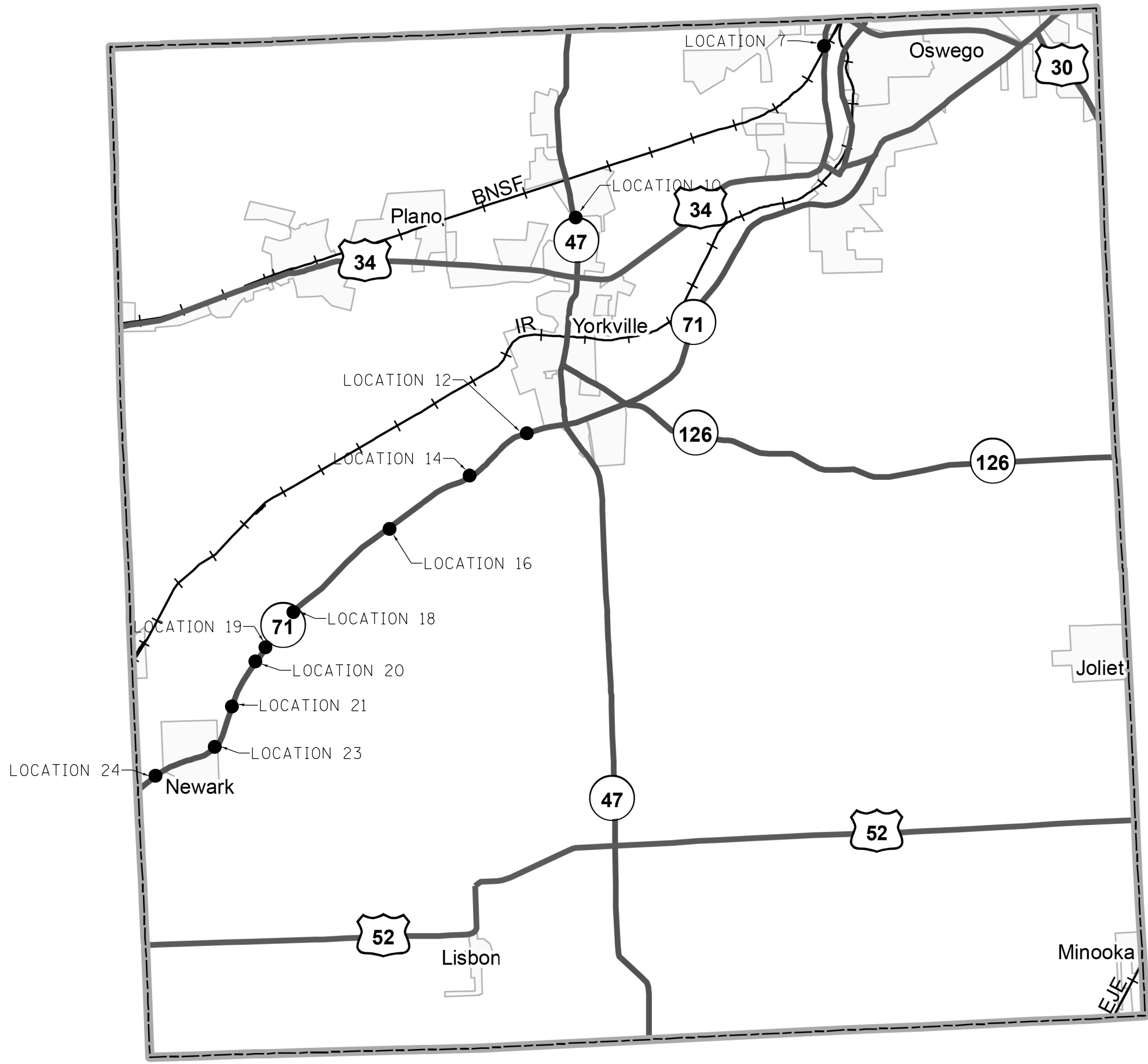
USER NAME = 1908	DESIGNED -	REVISED -
PLOT DRIVER = pdfNOLAYERSbw.pltcf	DRAWN -	REVISED -
PEN TABLE = 20173006-30.tbl	CHECKED -	REVISED -
PLOT SCALE = 24.0000' / ft.	DATE - 03/27/18	REVISED -

**STATE OF ILLINOIS  
DEPARTMENT OF TRANSPORTATION**

**LOCATION MAP - DEKALB COUNTY**

SHEET 1 OF 2 SHEETS STA. TO STA.

F.A. - RTE.	SECTION	COUNTY	TOTAL SHEETS	SHEET NO.
VAR.	D3-J REPLACEMENT 2018	VARIOUS	32	5
CONTRACT NO. 66H68				
ILLINOIS FED. AID PROJECT				



Location	Structure No	
7	047-0006-001	
	047-0006-002	
	047-0006-003	
	047-0006-004	
	047-0006-005	
	047-0006-006	
	047-0006-007	
	047-0006-008	
10	047-0053-001	
	047-0053-002	
	047-0053-003	
	047-0053-004	
	047-0053-005	
	047-0053-006	
	047-0053-007	
	047-0053-008	
12	047-il071-011	
	047-il071-012	
	047-il071-013	
	047-il071-014	
14	047-il071-019	
	047-il071-020	
	047-il071-021	
16	047-il071-022	
	047-il071-027	
	047-il071-028	
	047-il071-029	
	047-il071-030	
	047-il071-039	
	18	047-il071-040
		047-il071-041
		047-il071-042
	19	047-il071-043
047-il071-044		
20	047-il071-045	
	047-il071-046	
	047-il071-047	
	047-il071-048	
21	047-il071-051	
	047-il071-049	
	047-il071-053	
	047-il071-052	
	047-il071-057	
23	047-il071-058	
	047-il071-059	
	047-il071-060	
24	047-il071-061	
	047-il071-062	
	047-il071-063	
	047-il071-064	
	047-il071-064	
	047-il071-064	

X:\OH\2017\20173006-30\CAD\Transportation\dgm\CAD\_Shts\0366H68-sht-LocMap-02.dgn  
 4/2/2018 3:33:33 PM



USER NAME = 1908	DESIGNED -	REVISED -
PLOT DRIVER = pdfNOLAYERSbw.pltcf	DRAWN -	REVISED -
PEN TABLE = 20173006-30.tbl	CHECKED -	REVISED -
PLOT SCALE = 24.0000' / ft.	DATE - 03/27/18	REVISED -

**STATE OF ILLINOIS**  
**DEPARTMENT OF TRANSPORTATION**

**LOCATION MAP - KENDALL COUNTY**

#SCALE8 SHEET 2 OF 2 SHEETS STA. TO STA.

F.A.-RTE.	SECTION	COUNTY	TOTAL SHEETS	SHEET NO.
VAR.	D3-J REPLACEMENT 2018	VARIOUS	32	6
			<b>CONTRACT NO. 66H68</b>	
ILLINOIS FED. AID PROJECT				

KENDALL COUNTY GUARDRAIL WORK																										
LOCATION NUMBER	ID NUMBER	ROUTE	STR. NUMBER	DIRECTION	LONGITUDE	LATITUDE	GUARDRAIL REMOVAL (FOOT)	SPBGR TA 9' POSTS (FOOT)	LSG 12' 6" SPAN (FOOT)	LSG 18' 9" SPAN (FOOT)	TERM MARK DIRECT APPL (EACH)	GUARDRAIL MKR TY A (EACH)	TBT, TY 1 SPL TAN (EACH)	TBT, TY 1 SPL FLARED (EACH)	TBT, TYPE 6 (EACH)	FURN EX (CU YD)	CURB TY B (FOOT)	SEEDING CL 2A (ACRE)	NITROGEN FERT. NUT. (POUND)	PHOSPHORUS FERT. NUT. (POUND)	POTASSIUM FERT. NUT. (POUND)	HD EROS CONT BLKT (SQ YD)	PERIMETER EROSION BARRIER (FOOT)	WEED CONT. STRIP MOWING (SQ YD)		
7	047-0006-001	IL 31	047-0006	SB	-88.355562	41.717821	436	550			1	6	1				15								200	
	047-0006-004	IL 31	047-0006	SB	-88.355539	41.716605					1		1		1										29	
	047-0006-002	IL 31	047-0006	NB	-88.355240	41.717766	302	37.5				5														
	047-0006-003	IL 31	047-0006	NB	-88.355287	41.716957									1											
	047-0006-005	IL 31	047-0006	SB	-88.355540	41.715618						8						15							208	
	047-0006-007	IL 31	047-0006	SB	-88.355563	41.713856	654	575					1													
	047-0006-006	IL 31	047-0006	NB	-88.355286	41.715934						9						15	0.2	21	21	21	1114	300	313	
	047-0006-008	IL 31	047-0006	NB	-88.355304	41.713819	775	887.5				1			1											
10	047-0053-001	IL 47	047-0053	NB	-88.442167	41.670891	228	62.5			1	4	1											80	50	
	047-0053-002	IL 47	047-0053	NB	-88.442494	41.671462									1										50	
	047-0053-003	IL 47	047-0053	NB	-88.442717	41.67181						4												80	50	
	047-0053-004	IL 47	047-0053	NB	-88.44288	41.672108	120				1		1											80	50	
	047-0053-005	IL 47	047-0053	SB	-88.443222	41.672367		62.5			1	4	1						0.1	12	12	12	600		50	
	047-0053-006	IL 47	047-0053	SB	-88.442889	41.671796	222																		50	
	047-0053-007	IL 47	047-0053	SB	-88.442689	41.671469						4													50	
	047-0053-008	IL 47	047-0053	SB	-88.442578	41.671278	78				1		1													
12	047-0071-011	IL 71	N/A	WB	-88.470514	41.613881	130	125	37.5		4	1											80	88		
	047-0071-012	IL 71	N/A	WB	-88.470185	41.614118					1		1													
	047-0071-013	IL 71	N/A	EB	-88.470149	41.613973		125	37.5		4		1						0.2	21	21	21	1114	80	88	
	047-0071-014	IL 71	N/A	EB	-88.470484	41.613731	130							1												
14	047-0071-019	IL 71	N/A	WB	-88.478571	41.608141	128	187.5	37.5		4	1											80	108		
	047-0071-022	IL 71	N/A	WB	-88.478929	41.607932					1		1													
	047-0071-020	IL 71	N/A	EB	-88.478475	41.608045	142	162.5	37.5		4	1							0.2	21	21	21	1114	80	100	
	047-0071-021	IL 71	N/A	EB	-88.478874	41.607901					1		1													
16	047-0071-027	IL 71	N/A	WB	-88.509909	41.59393	128	125	37.5		4	1											80	88		
	047-0071-028	IL 71	N/A	WB	-88.509525	41.594133					1		1													
	047-0071-029	IL 71	N/A	EB	-88.509526	41.59398		125	37.5		4	1							0.2	21	21	21	1114	80	88	
	047-0071-030	IL 71	N/A	EB	-88.509905	41.59378	128				1		1													
18	047-0071-039	IL 71	N/A	WB	-88.552299	41.564253	228	212.5	37.5		4	1											80	117		
	047-0071-040	IL 71	N/A	WB	-88.552803	41.563754					1		1													
	047-0071-041	IL 71	N/A	EB	-88.552641	41.563703					1		1						0.2	21	21	21	1114	80	108	
	047-0071-042	IL 71	N/A	EB	-88.55197	41.564372	303	187.5	37.5		5	1		1												
19	047-0071-043	IL 71	N/A	WB	-88.554019	41.562539			37.5		4			1						0.1	12	12	12	630	80	113
	047-0071-044	IL 71	N/A	WB	-88.554569	41.561982	251	200			1	4	1													
20	047-0071-045	IL 71	N/A	WB	-88.556763	41.559817					1		1											160	225	
	047-0071-047	IL 71	N/A	WB	-88.558053	41.558525	596	575			1	7	1													
	047-0071-046	IL 71	N/A	EB	-88.558647	41.559815					1		1						0.2	21	21	21	1114		258	
	047-0071-048	IL 71	N/A	EB	-88.557902	41.558469	624	675			1	7	1													
21	047-0071-053	IL 71	N/A	WB	-88.565220	41.549240		125	37.5		1		1										80		96	
	047-0071-054	IL 71	N/A	WB	-88.565400	41.548890	260				1	8	1							0.2	21	21	21	1114		
	047-0071-051	IL 71	N/A	EB	-88.565114	41.549107					1		1													
	047-0071-052	IL 71	N/A	EB	-88.565291	41.548776		125	37.5		1		1											80		
23	047-0071-057	IL 71	N/A	EB	-88.570305	41.538597	140	256.25		43.75	1	4	1										80		133	
	047-0071-058	IL 71	N/A	EB	-88.570005	41.538597					1		1													
	047-0071-059	IL 71	N/A	WB	-88.57016	41.538993					1		1							0.2	21	21	21	1114		88
	047-0071-060	IL 71	N/A	WB	-88.570462	41.538652	140	118.75		43.75	1	4	1													
24	047-0071-061	IL 71	N/A	WB	-88.586539	41.532967			37.5		1		1											80	88	
	047-0071-062	IL 71	N/A	WB	-88.58611	41.533111	132	125			1	4	1							0.2	21	21	21	1114		
	047-0071-063	IL 71	N/A	EB	-88.58615	41.532954			37.5		1		1											80	104	
	047-0071-064	IL 71	N/A	EB	-88.586571	41.532823	130	175			1	4	1													
COUNTY TOTALS							6407	5800.0	487.5	87.5	42	119	39	3	8	3380	60	2.3	213	213	213	11256	2140	2838		

X:\DATA\2017\201706-30\CAD\Transportation\CAD\_Shts\D366H68-sht-Sched01.sht-01.dgn  
4/22/2018 - 3:33:54 PM



USER NAME = 1908	DESIGNED -	REVISED -
PLOT DRIVER = pdfNLDLAYERSbw.pltcfg	DRAWN -	REVISED -
PEN TABLE = 20173006-30.tbl	CHECKED -	REVISED -
PLOT SCALE = 480.0000' / 1 ft.	DATE - 03/27/18	REVISED -

**STATE OF ILLINOIS  
DEPARTMENT OF TRANSPORTATION**

**GUARDRAIL END SECTION REPLACEMENT  
SCHEDULE OF QUANTITIES**

SCALE: 1"=40' SHEET 1 OF 2 SHEETS STA. TO STA.

F.A.-RTE.	SECTION	COUNTY	TOTAL SHEETS	SHEET NO.
VAR.	D3-J REPLACEMENT 2018	VARIOUS	32	7
		CONTRACT NO. 66H68		
ILLINOIS FED. AID PROJECT				

X:\WORK\2017\2006-30\CAD\Transportation\CAD\_Shts\D366H68-sht-Sched01.txd  
 4/22/2018 5:35:50 PM

DEKALB COUNTY GUARDRAIL WORK																									
LOCATION NUMBER	ID NUMBER	ROUTE	STR. NUMBER	DIRECTION	LONGITUDE	LATITUDE	GUARDRAIL REMOVAL (FOOT)	SPBGR TA 6' POSTS (FOOT)	SPBGR TA 9' POSTS (FOOT)	LSG 12' 6" SPAN (FOOT)	LSG 18' 9" SPAN (FOOT)	TERM MARK DIRECT APPL (EACH)	GUARDRAIL MKR TY A (EACH)	TBT, TY 1 SPL TAN (EACH)	TBT, TY 1 SPL FLARED (EACH)	TBT, TYPE 6 (EACH)	FURN EX (CU YD)	CURB TY B (FOOT)	SEEDING CL 2A (ACRE)	NITROGEN FERT. NUT. (POUND)	PHOSPHORUS FERT. NUT. (POUND)	POTASSIUM FERT. NUT. (POUND)	HD EROS CONT BLKT (SQ YD)	PERIMETER EROSION BARRIER (FOOT)	WEED CONT. STRIP MOWING (SQ YD)
1	019-0026-003	IL 72	019-0026	EB	-88.704791	42.097798	117	12.5				1	4			1		15						80	21
	019-0026-004	IL 72	019-0026	EB	-88.70437	42.097794						1		1										80	21
	019-0026-005	IL 72	019-0026	WB	-88.70432	42.097929	130	12.5				1	4											80	21
	019-0026-006	IL 72	019-0026	WB	-88.704788	42.097901																		160	179
	019-0026-001	IL 72	019-0026	EB	-88.707760	42.097994	560	487.5				1	7				121	15	0.9	78	78	78	4163	160	179
	019-0026-002	IL 72	019-0026	EB	-88.705670	42.097819																		15	
	019-0026-007	IL 72	019-0026	WB	-88.705699	42.097906																		15	
	019-0026-008	IL 72	019-0026	WB	-88.707678	42.098084	545	500				1	7											160	183
2	019-0033-033	IL 72	019-0033	EB	-88.598577	42.088193	80						4				112	15	0.1	5	5	5	290	50	33
	019-0033-034	IL 72	019-0033	EB	-88.597919	42.088182						1		1											
4	019-2549-001	IL 23	019-2549	NB	-88.684099	42.046037	230		118.75		43.75		4											160	88
	019-2549-002	IL 23	019-2549	NB	-88.684172	42.046658						1												160	88
	019-2549-003	IL 23	019-2549	SB	-88.684374	42.046763	231		143.25		43.75		4				89		0.2	21	21	21	1114	160	88
	019-2549-004	IL 23	019-2549	SB	-88.684299	42.046137						1													
5	019-0064-019	IL 64	N/A	WB	-88.630450	41.977180			125				1												
	019-0064-018	IL 64	N/A	WB	-88.629830	41.977036	308			75			8				306		0.2	21	21	21	1114	160	175
	019-0064-021	IL 64	N/A	EB	-88.630573	41.977117						1													
	019-0064-020	IL 64	N/A	EB	-88.63004	41.97699						1													
6	019-0072-049	IL 72	N/A	EB	-88.642573	42.095474	254		125		37.5		4											160	88
	019-0072-051	IL 72	N/A	EB	-88.641651	42.095469						1												160	88
	019-0072-050	IL 72	N/A	WB	-88.642397	42.095588	250		125		37.5		4				93		0.2	21	21	21	1114	160	88
	019-0072-052	IL 72	N/A	WB	-88.641486	42.095587						1													
COUNTY TOTALS							2705	1012.5	762.0	150.0	87.5	17	50	14	3	5	721	75	1.6	146	146	146	7795	1330	963



USER NAME = 1908	DESIGNED -	REVISED -
PLOT DRIVER = pdfNOLAYERSbw.pltcf	DRAWN -	REVISED -
PEN TABLE = 20173006-30.tbl	CHECKED -	REVISED -
PLOT SCALE = 480.0000' / ft.	DATE - 03/27/18	REVISED -

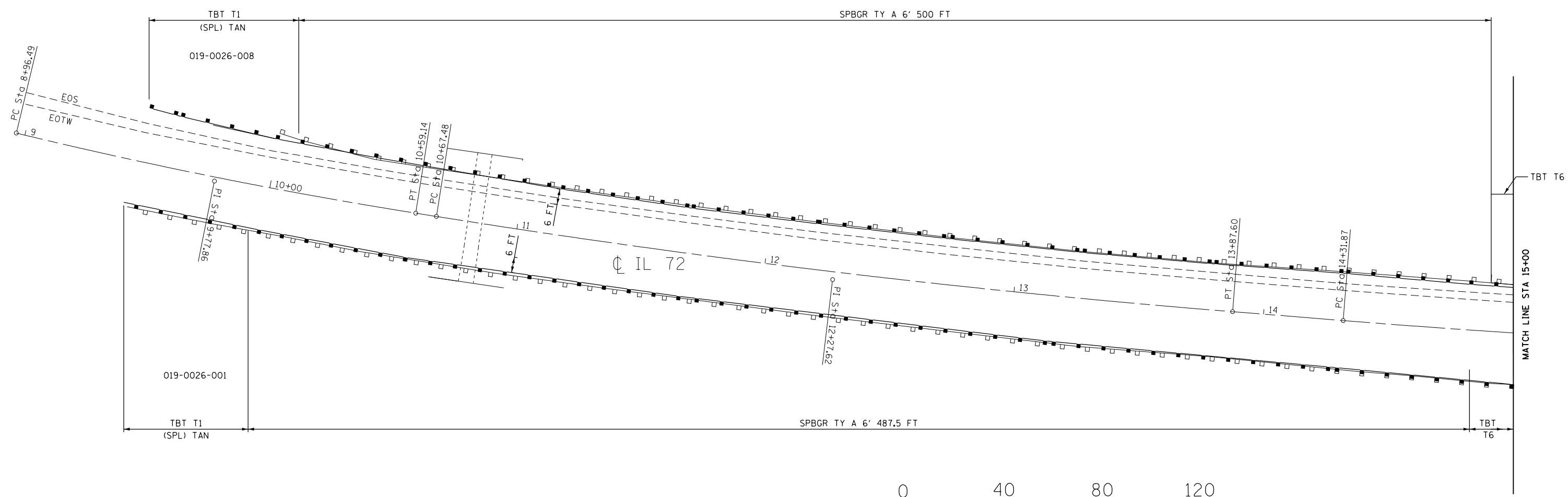
**STATE OF ILLINOIS  
DEPARTMENT OF TRANSPORTATION**

**GUARDRAIL END SECTION REPLACEMENT  
SCHEDULE OF QUANTITIES**

SCALE: 1"=40'      SHEET 2 OF 2 SHEETS      STA.      TO STA.

F.A. - RTE.	SECTION	COUNTY	TOTAL SHEETS	SHEET NO.
VAR.	D3-J REPLACEMENT 2018	VARIOUS	32	8
CONTRACT NO. 66H68				
ILLINOIS FED. AID PROJECT				





X:\WORK\2017\06-30\CAD\Transportation\CAD\_Shts\0366H68-sht-Location#01.dgn  
 4/22/2018 10:35:51 PM

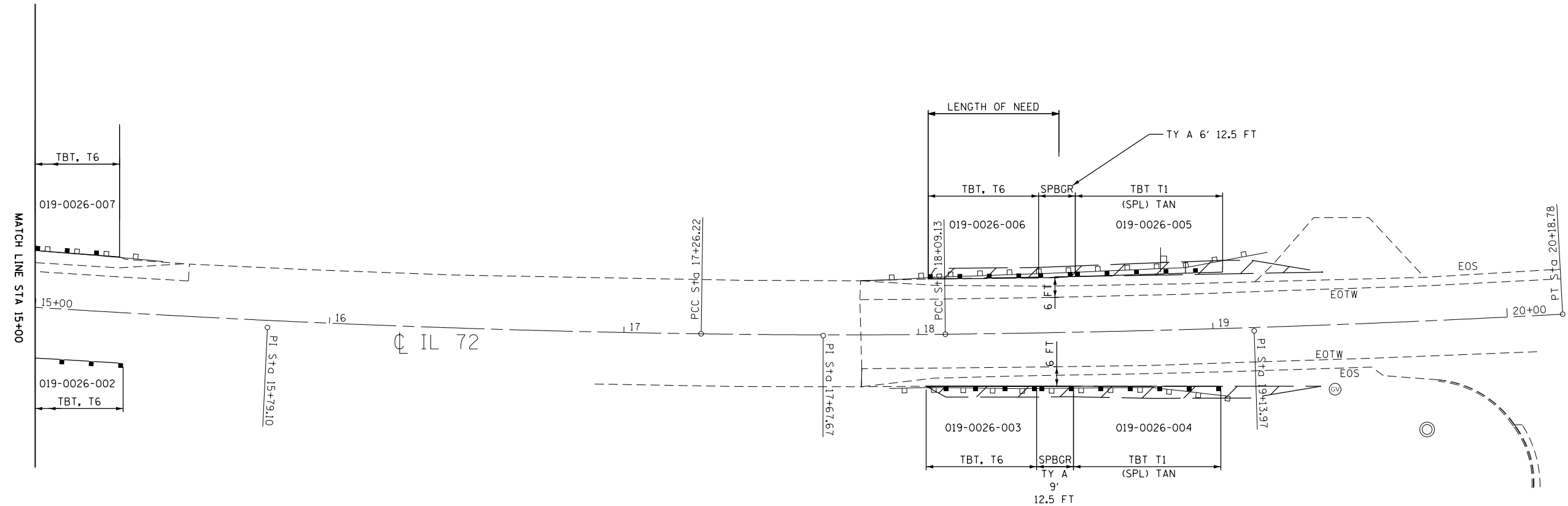


USER NAME = 1908	DESIGNED -	REVISED -
PLOT DRIVER = pdfNOLAYERSbw.pltcfq	DRAWN -	REVISED -
PEN TABLE = 20173006-30.tbl	CHECKED -	REVISED -
PLOT SCALE = 480.0000' / ft.	DATE - 03/27/18	REVISED -

**STATE OF ILLINOIS  
 DEPARTMENT OF TRANSPORTATION**

<b>GUARDRAIL END SECTION REPLACEMENT          019-0026 (LOCATION 1)</b>			
SCALE: 1"=40'	SHEET 1	OF 2 SHEETS	STA. TO STA.

F.A.-RTE.	SECTION	COUNTY	TOTAL SHEETS	SHEET NO.
VAR.	D3-J REPLACEMENT 2018	VARIOUS	32	9
<b>CONTRACT NO. 66H68</b>				
ILLINOIS FED. AID PROJECT				



X:\01\2017\06-30\CAD\Transportation\dm\CAD\_Shts\0366468-sht-Location#01-2 REVISED.dgn  
 4/22/2018 - 3:33:52 PM

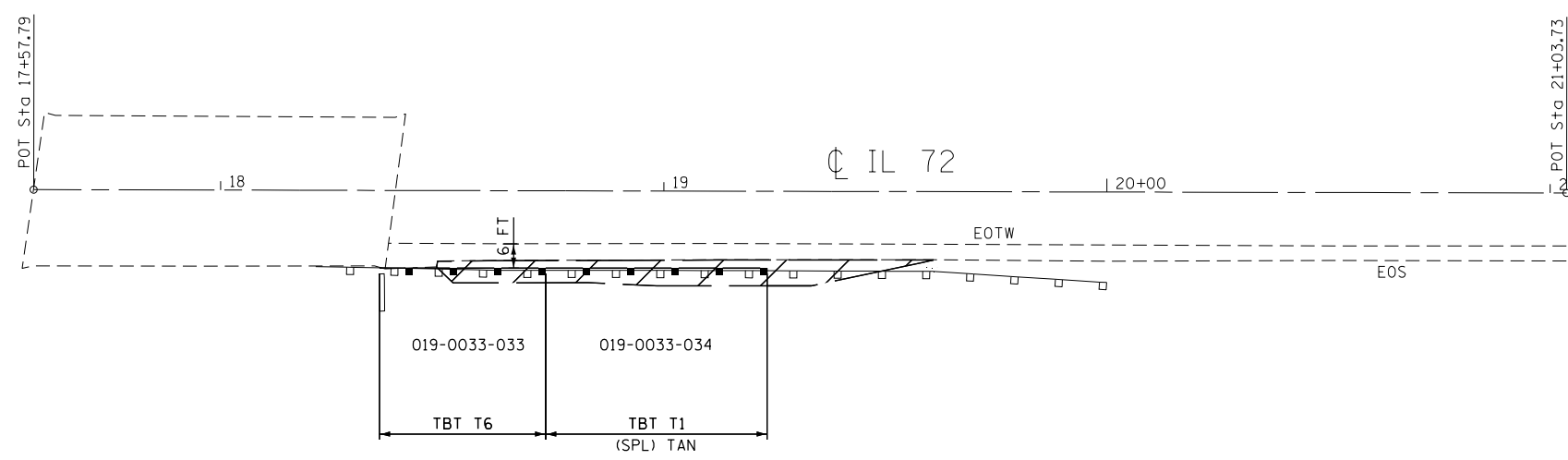


USER NAME = 1908	DESIGNED -	REVISED -
PLOT DRIVER = pdfNOLAYERSbw.pltcf	DRAWN -	REVISED -
PEN TABLE = 20173006-30.tbl	CHECKED -	REVISED -
PLOT SCALE = 480.0000' / ft.	DATE - 03/27/18	REVISED -

**STATE OF ILLINOIS**  
**DEPARTMENT OF TRANSPORTATION**

<b>GUARDRAIL END SECTION REPLACEMENT</b> <b>019-0026 (LOCATION 1)</b>			
SCALE: 1"=40'	SHEET 2	OF 2 SHEETS	STA. TO STA.

F.A.-RTE.	SECTION	COUNTY	TOTAL SHEETS	SHEET NO.
VAR.	D3-J REPLACEMENT 2018	VARIOUS	32	10
<b>CONTRACT NO. 66H68</b>				
ILLINOIS FED. AID PROJECT				



X:\04\2017\201706-30\CAD\Transportation\dgm\CAD\_Shts\0366H68-sht-Location#02.dgn  
 4/22/2018 3:33:53 PM



USER NAME = 1908	DESIGNED -	REVISED -
PLOT DRIVER = pdfNQLAYERSbw.pltcfq	DRAWN -	REVISED -
PEN TABLE = 20173006-30.tbl	CHECKED -	REVISED -
PLOT SCALE = 480.0000' / ft.	DATE - 03/27/18	REVISED -

**STATE OF ILLINOIS**  
**DEPARTMENT OF TRANSPORTATION**

**GUARDRAIL END SECTION REPLACEMENT**  
**019-003 (LOCATION 2)**

SCALE: 1"=40'	SHEET	OF	SHEETS	STA.	TO	STA.
---------------	-------	----	--------	------	----	------

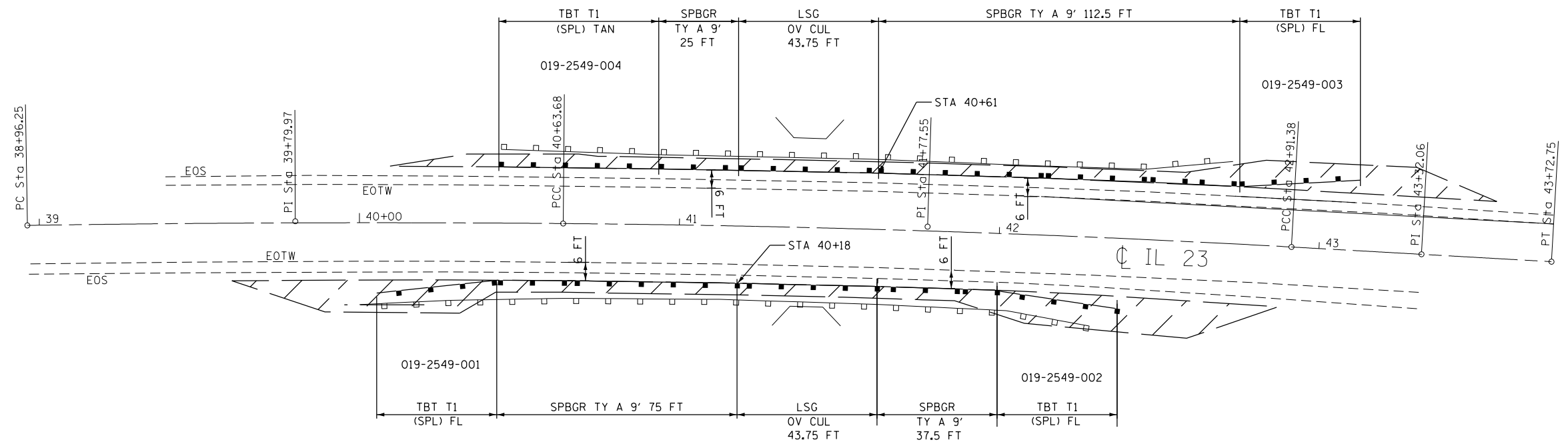
F.A. -- RTE.	SECTION	COUNTY	TOTAL SHEETS	SHEET NO.
VAR.	D3-J REPLACEMENT 2018	VARIOUS	32	11
ILLINOIS FED. AID PROJECT			CONTRACT NO. 66H68	



EXIST. CURVE LOC#04-1  
 PI STA. = 39+79.97  
 $\Delta = 1^\circ 22' 15''$  (RT)  
 $D = 0^\circ 49' 07''$   
 $R = 6,998.41'$   
 $T = 83.72'$   
 $L = 167.43'$   
 $E = 0.50'$   
 $e = \text{-----}$   
 $T.R. = \text{-----}$   
 $S.E. RUN = \text{-----}$   
 P.C. STA. = 38+96.25  
 P.T. STA. = 40+63.68

EXIST. CURVE LOC#04-2  
 PI STA. = 41+77.55  
 $\Delta = 2^\circ 43' 04''$  (RT)  
 $D = 1^\circ 11' 37''$   
 $R = 4,800.00'$   
 $T = 113.87'$   
 $L = 227.69'$   
 $E = 1.35'$   
 $e = \text{-----}$   
 $T.R. = \text{-----}$   
 $S.E. RUN = \text{-----}$   
 P.C. STA. = 40+63.68  
 P.T. STA. = 42+91.38

EXIST. CURVE LOC#04-3  
 PI STA. = 43+32.06  
 $\Delta = 0^\circ 03' 12''$  (RT)  
 $D = 0^\circ 03' 56''$   
 $R = 87,474.86'$   
 $T = 40.68'$   
 $L = 81.37'$   
 $E = 0.01'$   
 $e = \text{-----}$   
 $T.R. = \text{-----}$   
 $S.E. RUN = \text{-----}$   
 P.C. STA. = 42+91.38  
 P.T. STA. = 43+72.75



X:\WORK\2017\06-30\CAD\Transportation\dgn\CAD\_Shts\0366468-sht-Location#04.dgn 4/22/2018 3:35:54 PM

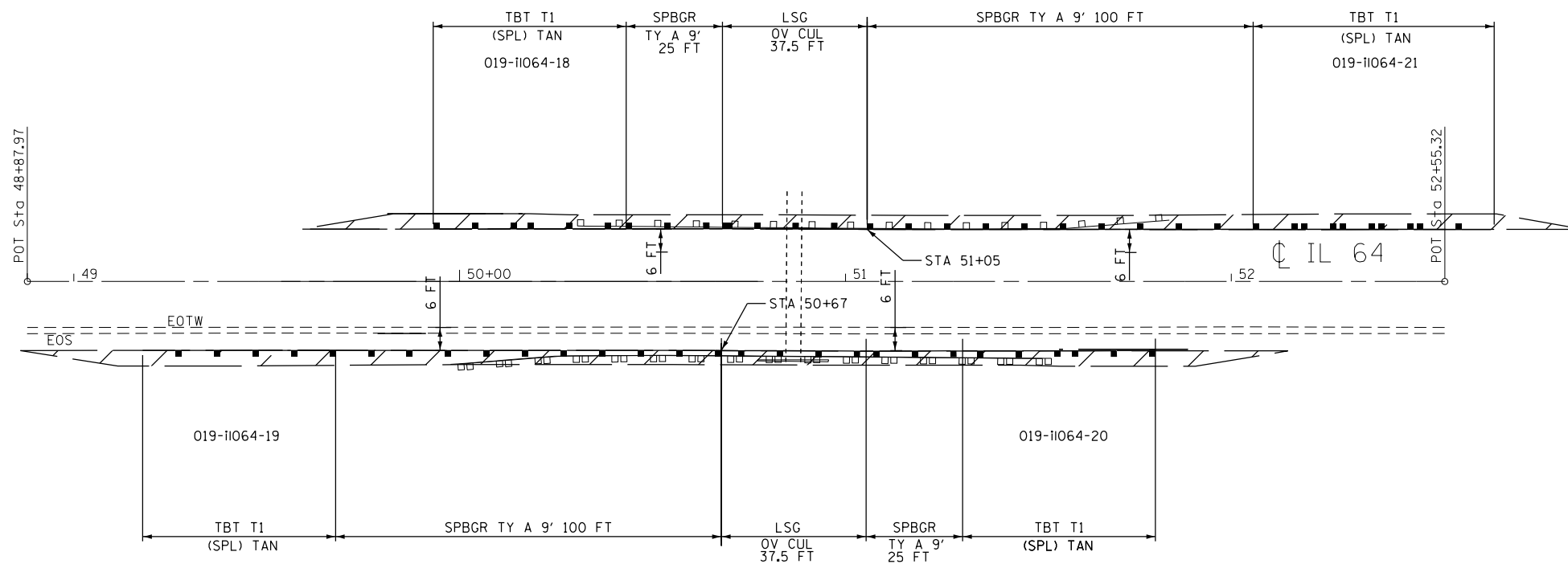


USER NAME = 1908	DESIGNED -	REVISED -
PLOT DRIVER = pdfNOLAYERSbw.pltcf	DRAWN -	REVISED -
PEN TABLE = 20173006-30.tbl	CHECKED -	REVISED -
PLOT SCALE = 480.0000' / ft.	DATE = 03/27/18	REVISED -

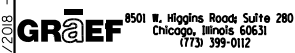
**STATE OF ILLINOIS  
 DEPARTMENT OF TRANSPORTATION**

<b>GUARDRAIL END SECTION REPLACEMENT 019-2549 (LOCATION 4)</b>			
SCALE: 1"=40'	SHEET	OF	SHEETS
	STA.	TO	STA.

F.A. - RTE.	SECTION	COUNTY	TOTAL SHEETS	SHEET NO.
VAR. D3-J REPLACEMENT 2018	VARIOUS		32	12
CONTRACT NO. 66H68				
ILLINOIS FED. AID PROJECT				



X:\0\N\2017\06-30\CAD\Transportation\dgn\CAD\_Shts\0366H68-sht-Location\05REVISED.dgn  
 4/22/2018 3:35:55 PM

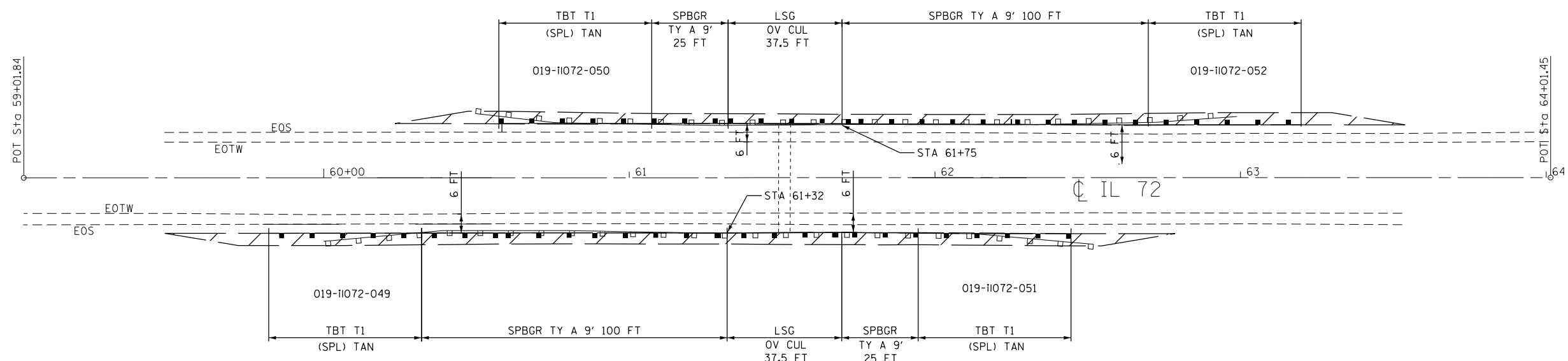


USER NAME = 1908	DESIGNED -	REVISED -
PLOT DRIVER = pdfNOLAYERSbw.pltcfp	DRAWN -	REVISED -
PEN TABLE = 20173006-30.tbl	CHECKED -	REVISED -
PLOT SCALE = 480.0000' / ft.	DATE - 03/27/18	REVISED -

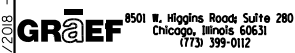
**STATE OF ILLINOIS**  
**DEPARTMENT OF TRANSPORTATION**

<b>GUARDRAIL END SECTION REPLACEMENT</b> <b>019-11064 (LOCATION 5)</b>			
SCALE: 1"=40'	SHEET	OF	SHEETS
	STA.	TO	STA.

F.A.-RTE.	SECTION	COUNTY	TOTAL SHEETS	SHEET NO.
VAR.	D3-J REPLACEMENT 2018	VARIOUS	32	13
<b>CONTRACT NO. 66H68</b>				
<small>ILLINOIS FED. AID PROJECT</small>				



X:\01\2017\06-30\CAD\Transportation\CAD\_Shts\0366H68-sht-Location\06REVISED.dgn  
 4/22/2018 3:33:57 PM



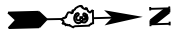
USER NAME = 1908	DESIGNED -	REVISED -
PLOT DRIVER = pdfNOLAYERSbw.pltcfp	DRAWN -	REVISED -
PEN TABLE = 20173006-30.tbl	CHECKED -	REVISED -
PLOT SCALE = 480.0000' / ft.	DATE - 03/27/18	REVISED -

**STATE OF ILLINOIS**  
**DEPARTMENT OF TRANSPORTATION**

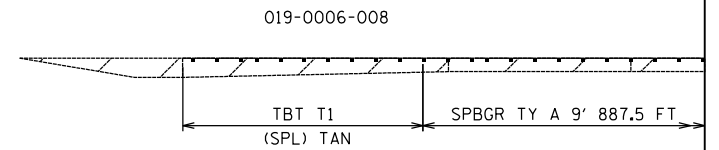
**GUARDRAIL END SECTION REPLACEMENT**  
**019-11072 (LOCATION 6)**

SCALE: 1"=40'    SHEET    OF    SHEETS    STA.    TO STA.

F.A. - RTE.	SECTION	COUNTY	TOTAL SHEETS	SHEET NO.
VAR.	D3-J REPLACEMENT 2018	VARIOUS	32	14
ILLINOIS FED. AID PROJECT			CONTRACT NO. 66H68	



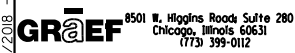
IL 31



MATCH LINE STA 69+00



X:\04\2017\201706-30\CAD\Transportation\dgn\CAD\_Shts\0366H68-sht-Location#07-0.dgn  
4/22/2018 - 3:33:58 PM



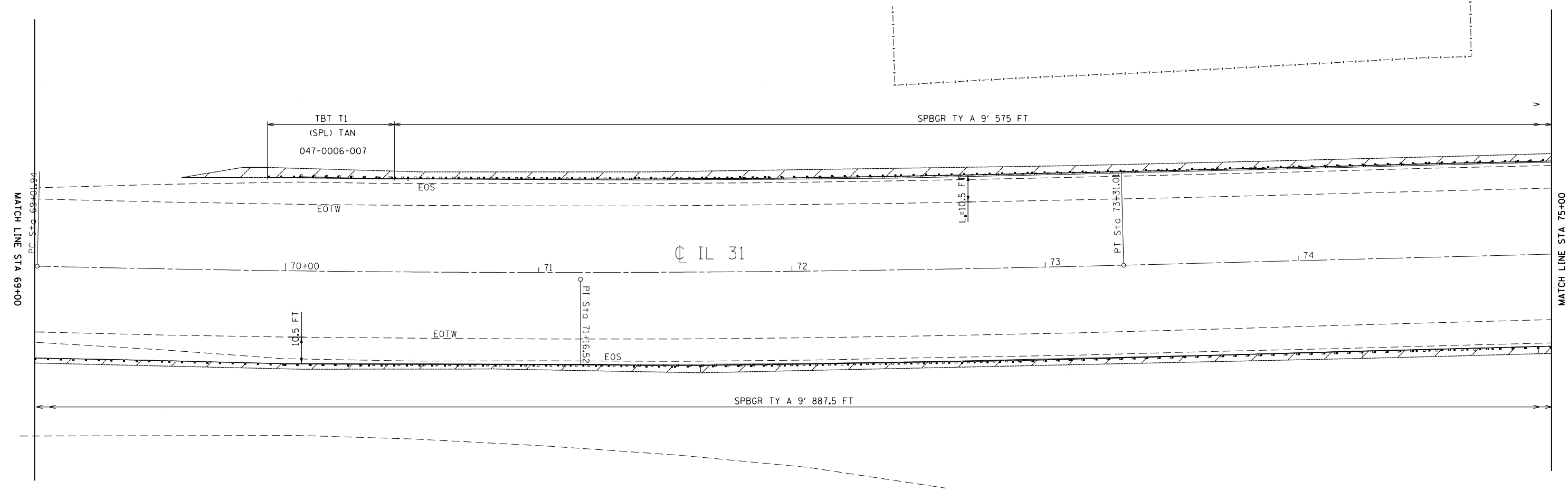
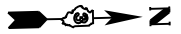
USER NAME = 1908	DESIGNED -	REVISED -
PLOT DRIVER = pdfNQLAYERSbw.pltcfq	DRAWN -	REVISED -
PEN TABLE = 20173006-30.tbl	CHECKED -	REVISED -
PLOT SCALE = 480.0271' / ft.	DATE - 03/27/18	REVISED -

**STATE OF ILLINOIS  
DEPARTMENT OF TRANSPORTATION**

**GUARDRAIL END SECTION REPLACEMENT  
047-0006 (LOCATION 7)**

SCALE: 1"=40' SHEET 1 OF 5 SHEETS STA. TO STA.

F.A. RTÉ.	SECTION	COUNTY	TOTAL SHEETS	SHEET NO.
VAR.	D3-J REPLACEMENT 2018	VARIOUS	32	15
ILLINOIS FED. AID PROJECT			CONTRACT NO. 66H68	



X:\04\2017\201706-30\CAD\Transportation\CAD\_Shts\0366468-sht-Location#07-.dgn  
 4/22/2018 - 3:33:53 PM



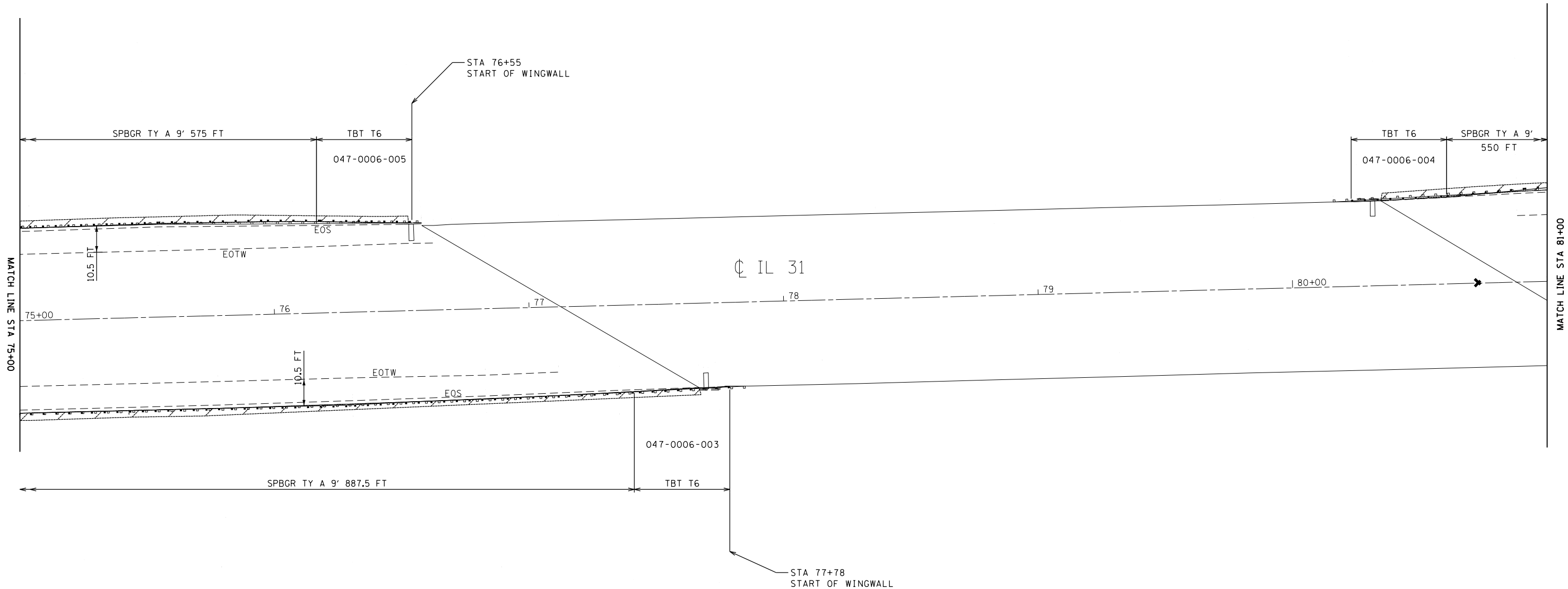
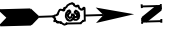
USER NAME = 1908	DESIGNED -	REVISED -
PLOT DRIVER = pdfNQLAYERSbw.pltcfq	DRAWN -	REVISED -
PEN TABLE = 20173006-30.tbl	CHECKED -	REVISED -
PLOT SCALE = 480.0271' / ft.	DATE - 03/27/18	REVISED -

**STATE OF ILLINOIS**  
**DEPARTMENT OF TRANSPORTATION**

<b>GUARDRAIL END SECTION REPLACEMENT</b> <b>047-0006 (LOCATION 7)</b>			
SCALE: 1"=40'	SHEET 2	OF 5 SHEETS	STA. TO STA.

F.A. - RTE.	SECTION	COUNTY	TOTAL SHEETS	SHEET NO.
VAR.	D3-J REPLACEMENT 2018	VARIOUS	32	16
CONTRACT NO. 66H68			ILLINOIS FED. AID PROJECT	





X:\04\2017\07\06-30\CAD\Transportation\dm\CAD\_Shts\0366468-sht-Location#07-2.dgn  
4/22/08 - 3:54:00 PM

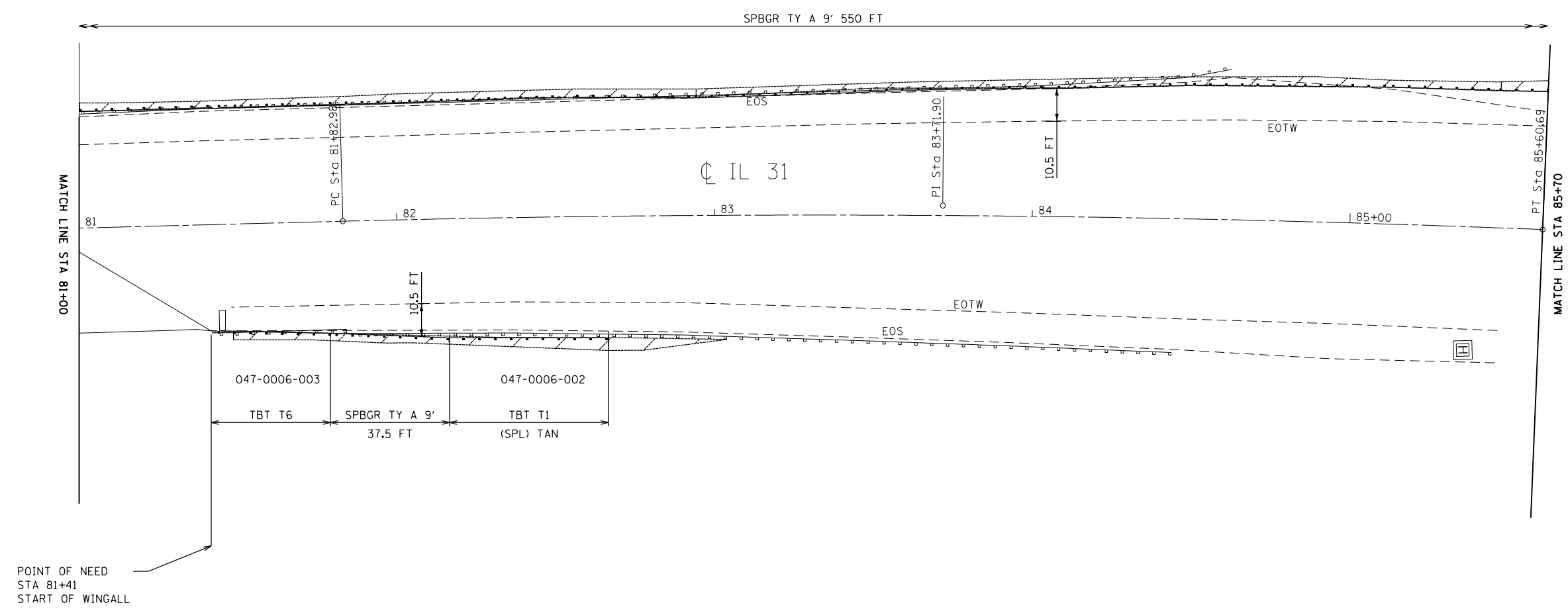


USER NAME = 1908	DESIGNED -	REVISED -
PLOT DRIVER = pdfNCLAYERSbw.pltcfp	DRAWN -	REVISED -
PEN TABLE = 20173006-30.tbl	CHECKED -	REVISED -
PLOT SCALE = 480.0000' / ft.	DATE - 03/27/18	REVISED -

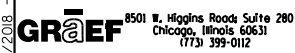
**STATE OF ILLINOIS  
DEPARTMENT OF TRANSPORTATION**

<b>GUARDRAIL END SECTION REPLACEMENT</b>			
<b>047-0006 (LOCATION 7)</b>			
SCALE: 1"=40'	SHEET 3	OF 5 SHEETS	STA. TO STA.

F.A. - RTE.	SECTION	COUNTY	TOTAL SHEETS	SHEET NO.
VAR. D3-J REPLACEMENT 2018	VARIOUS		32	17
CONTRACT NO. 66H68				
ILLINOIS FED. AID PROJECT				



X:\04\2017\2017006-30\CAD\Transportation\dgm\CAD\_Shts\0366H68-sht-Location#07-3.dgn  
 4/22/2018 3:34:50 PM

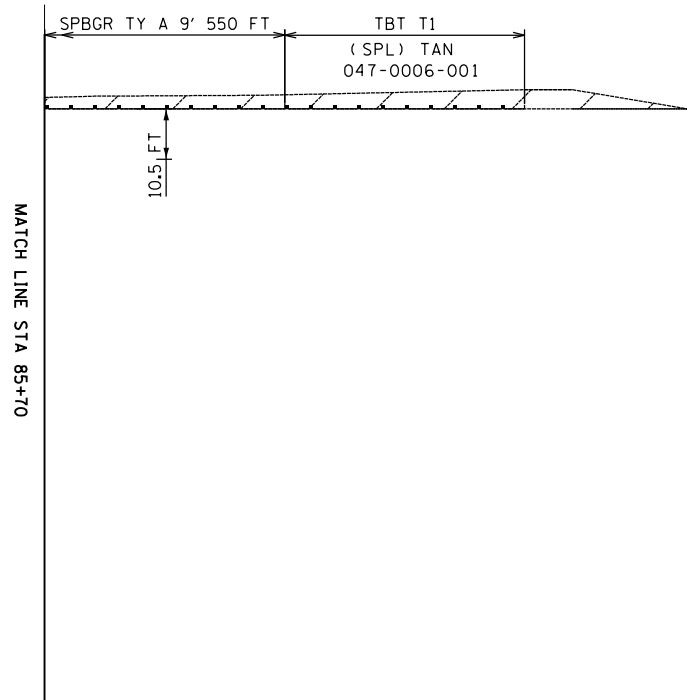


USER NAME = 1908	DESIGNED -	REVISED -
PLOT DRIVER = pdfNOLAYERSbw.pltcfq	DRAWN -	REVISED -
PEN TABLE = 20173006-30.tbl	CHECKED -	REVISED -
PLOT SCALE = 480.0271' / ft.	DATE - 03/27/18	REVISED -

**STATE OF ILLINOIS**  
**DEPARTMENT OF TRANSPORTATION**

<b>GUARDRAIL END SECTION REPLACEMENT</b> <b>047-0006 (LOCATION 7)</b>			
SCALE: 1"=40'	SHEET 4	OF 5 SHEETS	STA. TO STA.

F.A. - RTE.	SECTION	COUNTY	TOTAL SHEETS	SHEET NO.
VAR.	D3-J REPLACEMENT 2018	VARIOUS	32	18
<b>CONTRACT NO. 66H68</b>				
ILLINOIS FED. AID PROJECT				



CL IL 31



X:\04\2017\2017006-30\CAD\Transportation\dgn\CAD\_Shts\D366H68-sht-Location#07-4.dgn  
4/22/2018 3:34:03 PM



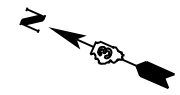
USER NAME = 1908	DESIGNED -	REVISED -
PLOT DRIVER = pdfNQLAYERSbw.pltcfp	DRAWN -	REVISED -
PEN TABLE = 20173006-30.tbl	CHECKED -	REVISED -
PLOT SCALE = 480.0271' / ft.	DATE - 03/27/18	REVISED -

**STATE OF ILLINOIS  
DEPARTMENT OF TRANSPORTATION**

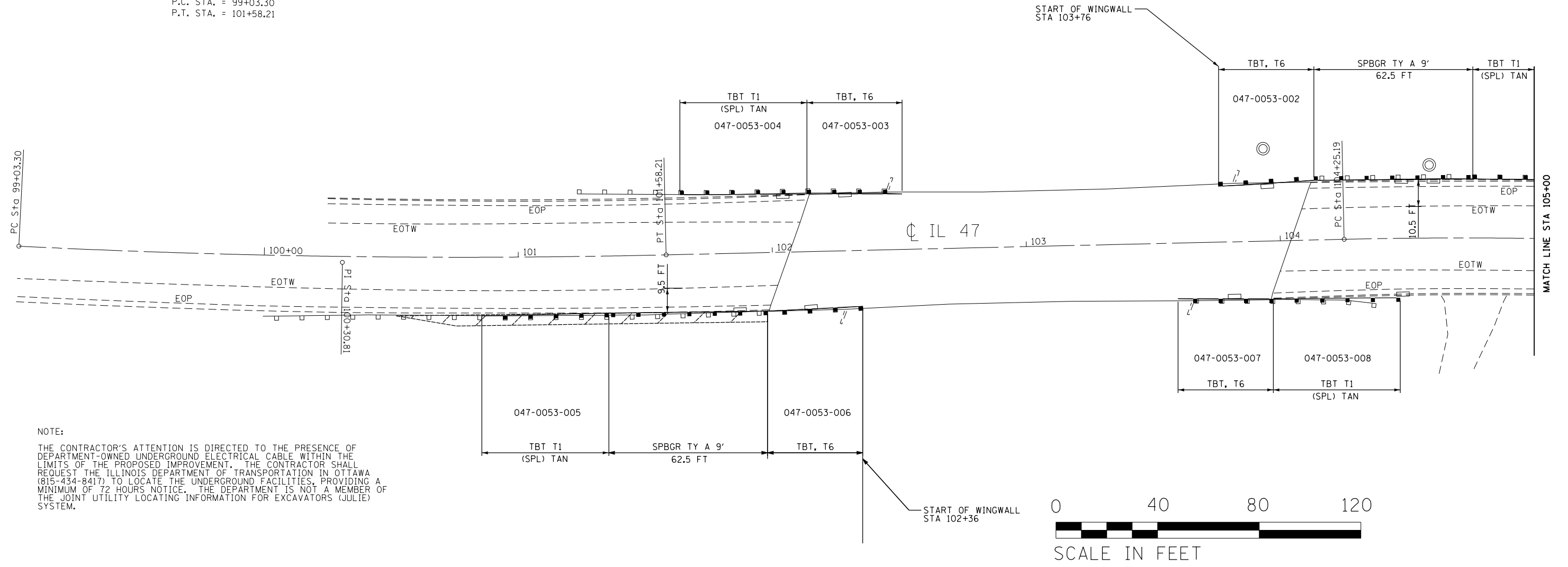
**GUARDRAIL END SECTION REPLACEMENT  
047-0006 (LOCATION 7)**

SCALE: 1"=40' SHEET 5 OF 5 SHEETS STA. TO STA.

F.A.- RTE.	SECTION	COUNTY	TOTAL SHEETS	SHEET NO.
VAR.	D3-J REPLACEMENT 2018	VARIOUS	32	19
CONTRACT NO. 66H68			ILLINOIS FED. AID PROJECT	



EXIST. CURVE LOC#10-1  
 PI STA. = 100+30.81  
 $\Delta = 4^{\circ} 10' 41''$  (LT)  
 $D = 1^{\circ} 38' 20''$   
 $R = 3,495.76'$   
 $T = 127.51'$   
 $L = 254.91'$   
 $E = 2.32'$   
 $e = \text{-----}$   
 $T.R. = \text{-----}$   
 $S.E. RUN = \text{-----}$   
 P.C. STA. = 99+03.30  
 P.T. STA. = 101+58.21



**NOTE:**

THE CONTRACTOR'S ATTENTION IS DIRECTED TO THE PRESENCE OF DEPARTMENT-OWNED UNDERGROUND ELECTRICAL CABLE WITHIN THE LIMITS OF THE PROPOSED IMPROVEMENT. THE CONTRACTOR SHALL REQUEST THE ILLINOIS DEPARTMENT OF TRANSPORTATION IN OTTAWA (815-434-8417) TO LOCATE THE UNDERGROUND FACILITIES, PROVIDING A MINIMUM OF 72 HOURS NOTICE. THE DEPARTMENT IS NOT A MEMBER OF THE JOINT UTILITY LOCATING INFORMATION FOR EXCAVATORS (JULIE) SYSTEM.

X:\WORK\2017\201706-30\CAD\Transportation\dgm\CAD\_Shts\0366H68-sht-Location#10-1.dgn 4/22/2018 3:54:04 PM



USER NAME = 1908	DESIGNED -	REVISED -
PLOT DRIVER = pdfNOLAYERSbw.pltcf	DRAWN -	REVISED -
PEN TABLE = 20173006-30.tbl	CHECKED -	REVISED -
PLOT SCALE = 480.0000' / ft.	DATE - 03/27/18	REVISED -

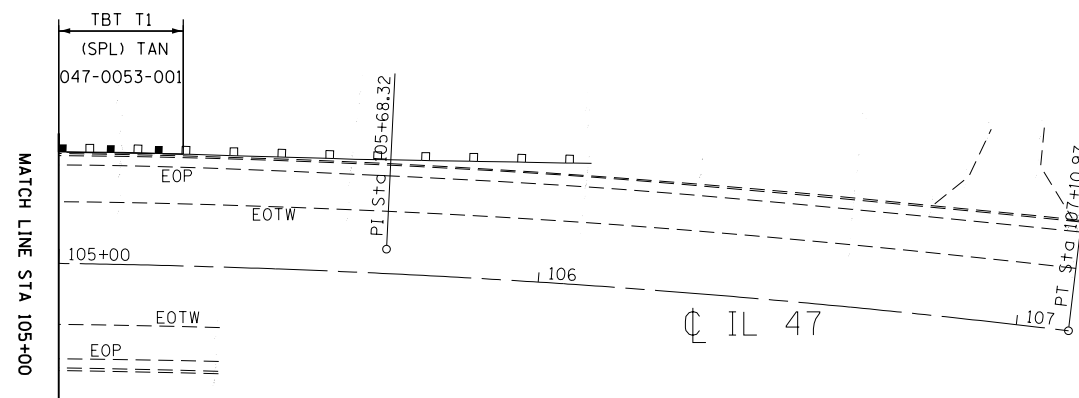
**STATE OF ILLINOIS  
 DEPARTMENT OF TRANSPORTATION**

<b>GUARDRAIL END SECTION REPLACEMENT</b>			
<b>047-0053 (LOCATION 10)</b>			
SCALE: 1"=40'	SHEET 1	OF 2 SHEETS	STA. TO STA.

F.A.-RTE.	SECTION	COUNTY	TOTAL SHEETS	SHEET NO.
VAR. D3-J REPLACEMENT 2018	VARIOUS	ILLINOIS	32	20
CONTRACT NO. 66H68				
ILLINOIS FED. AID PROJECT				



EXIST. CURVE LOC#10-2  
 PI STA. = 105+68.32  
 $\Delta = 8^{\circ} 08' 21''$  (RT)  
 $D = 2^{\circ} 50' 53''$   
 $R = 2,011.70'$   
 $T = 143.13'$   
 $L = 285.77'$   
 $E = 5.09'$   
 $e = \text{-----}$   
 $T.R. = \text{-----}$   
 $S.E. \text{ RUN} = \text{-----}$   
 $P.C. \text{ STA.} = 104+25.19$   
 $P.T. \text{ STA.} = 107+10.97$

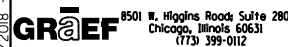


NOTE:

THE CONTRACTOR'S ATTENTION IS DIRECTED TO THE PRESENCE OF DEPARTMENT-OWNED UNDERGROUND ELECTRICAL CABLE WITHIN THE LIMITS OF THE PROPOSED IMPROVEMENT. THE CONTRACTOR SHALL REQUEST THE ILLINOIS DEPARTMENT OF TRANSPORTATION IN OTTAWA (815-434-8417) TO LOCATE THE UNDERGROUND FACILITIES, PROVIDING A MINIMUM OF 72 HOURS NOTICE. THE DEPARTMENT IS NOT A MEMBER OF THE JOINT UTILITY LOCATING INFORMATION FOR EXCAVATORS (JULIE) SYSTEM.



X:\04\2017\201706-30\CAD\Transportation\dgm\shrs\0366h68-shr-Location#10-2.dgn  
 4/22/2018 3:34:53 PM



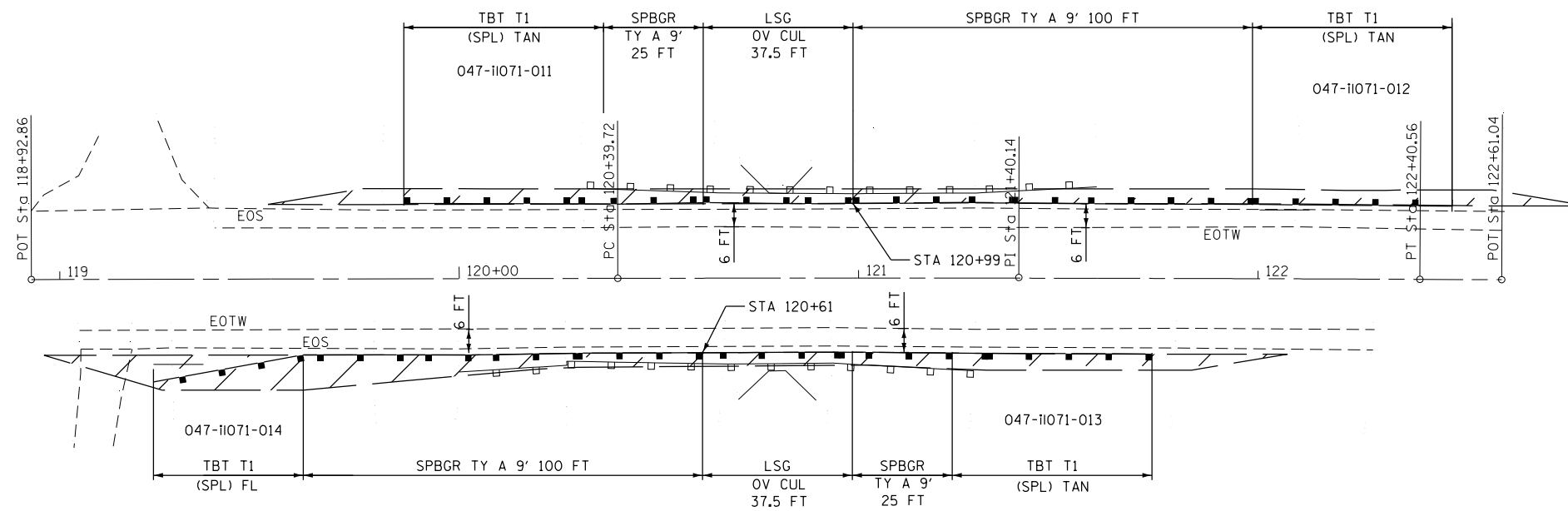
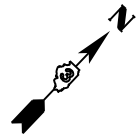
USER NAME = 1908	DESIGNED -	REVISED -
PLOT DRIVER = pdfNQLAYERSbw.pltcf	DRAWN -	REVISED -
PEN TABLE = 20173006-30.tbl	CHECKED -	REVISED -
PLOT SCALE = 480.0000' / ft.	DATE - 03/27/18	REVISED -

STATE OF ILLINOIS  
 DEPARTMENT OF TRANSPORTATION

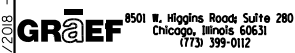
GUARDRAIL END SECTION REPLACEMENT  
 047-0053 (LOCATION 10)

SCALE: 1"=40' SHEET 2 OF 2 SHEETS STA. TO STA.

F.A. - RTE.	SECTION	COUNTY	TOTAL SHEETS	SHEET NO.
VAR.	D3-J REPLACEMENT 2018	VARIOUS	32	21
CONTRACT NO. 66H68			ILLINOIS FED. AID PROJECT	



X:\04\2017\201706-30\CAD\Transportation\CAD\_Shts\0366468-sht-Location#12.dgn 4/22/2018 - 3:54:06 PM



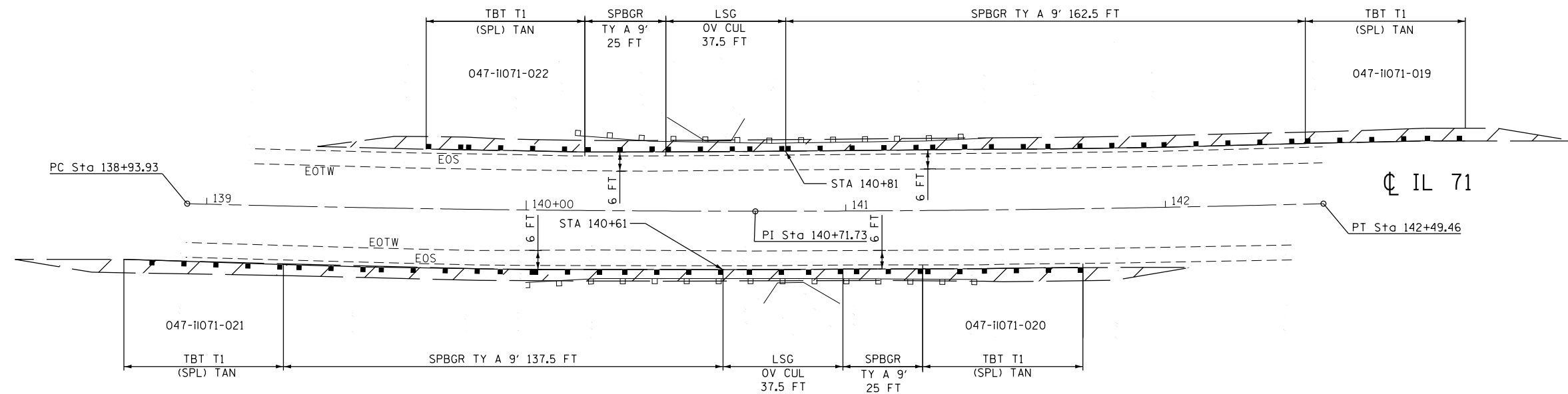
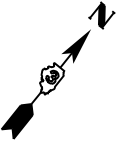
USER NAME = 1908	DESIGNED -	REVISED -
PLOT DRIVER = pdfNOLAYERSbw.pltcfp	DRAWN -	REVISED -
PEN TABLE = 20173006-30.tbl	CHECKED -	REVISED -
PLOT SCALE = 480.0000' / ft.	DATE - 03/27/18	REVISED -

**STATE OF ILLINOIS  
DEPARTMENT OF TRANSPORTATION**

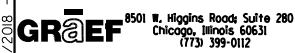
<b>GUARDRAIL END SECTION REPLACEMENT</b>			
<b>047-11071 (LOCATION 12)</b>			
SCALE: 1"=40'	SHEET	OF	SHEETS
	STA.	TO	STA.

F.A. - RTE.	SECTION	COUNTY	TOTAL SHEETS	SHEET NO.
VAR.	D3-J REPLACEMENT 2018	VARIOUS	32	22
CONTRACT NO. 66H68				
ILLINOIS FED. AID PROJECT				

PI STA. = 140+71.73  
 $\Delta$  = 3° 02' 17" (LT)  
 D = 0° 51' 16"  
 R = 6,705.33'  
 T = 177.81'  
 L = 355.53'  
 E = 2.36'  
 P.C. STA. = 138+93.93  
 P.T. STA. = 142+49.46



X:\04\2017\07\06-30\CAD\Transportation\dgm\CAD\_Shts\03666468-sht-Location#14.dgn  
 4/22/2018 - 3:54:07 PM

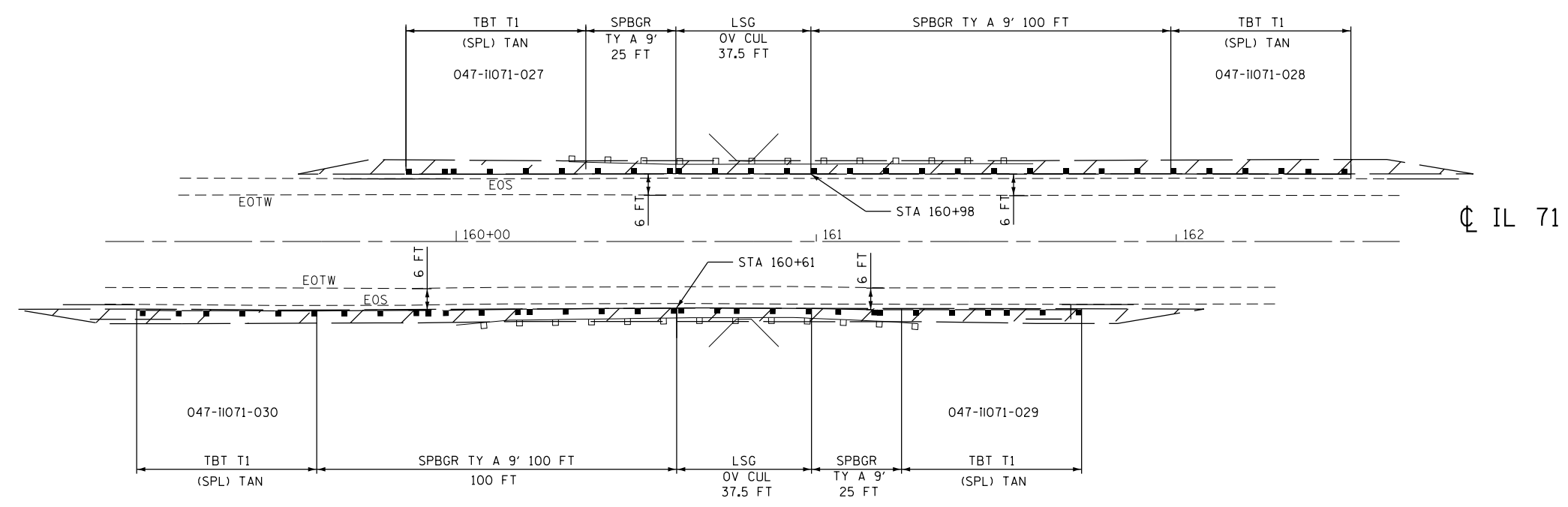
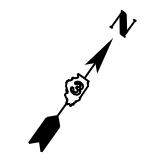


USER NAME = 1908	DESIGNED -	REVISED -
PLOT DRIVER = pdfNOLAYERSbw.pltcf	DRAWN -	REVISED -
PEN TABLE = 20173006-30.tbl	CHECKED -	REVISED -
PLOT SCALE = 480.0000' / ft.	DATE - 03/27/18	REVISED -

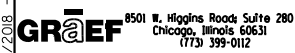
**STATE OF ILLINOIS  
 DEPARTMENT OF TRANSPORTATION**

<b>GUARDRAIL END SECTION REPLACEMENT          047-11071 (LOCATION 14)</b>			
SCALE: 1"=40'	SHEET	OF	SHEETS
	STA.	TO	STA.

F.A. - RTE.	SECTION	COUNTY	TOTAL SHEETS	SHEET NO.
VAR.	D3-J REPLACEMENT 2018	VARIOUS	32	23
CONTRACT NO. 66H68			ILLINOIS FED. AID PROJECT	



X:\04\2017\201706-30\CAD\Transportation\dgm\CAD\_Shts\D366H68-sht-Location#16.dgn  
4/22/2018 3:34:08 PM



USER NAME = 1908	DESIGNED -	REVISED -
PLOT DRIVER = pdfNOLAYERSbw.pltcf	DRAWN -	REVISED -
PEN TABLE = 20173006-30.tbl	CHECKED -	REVISED -
PLOT SCALE = 480.0000' / ft.	DATE - 03/27/18	REVISED -

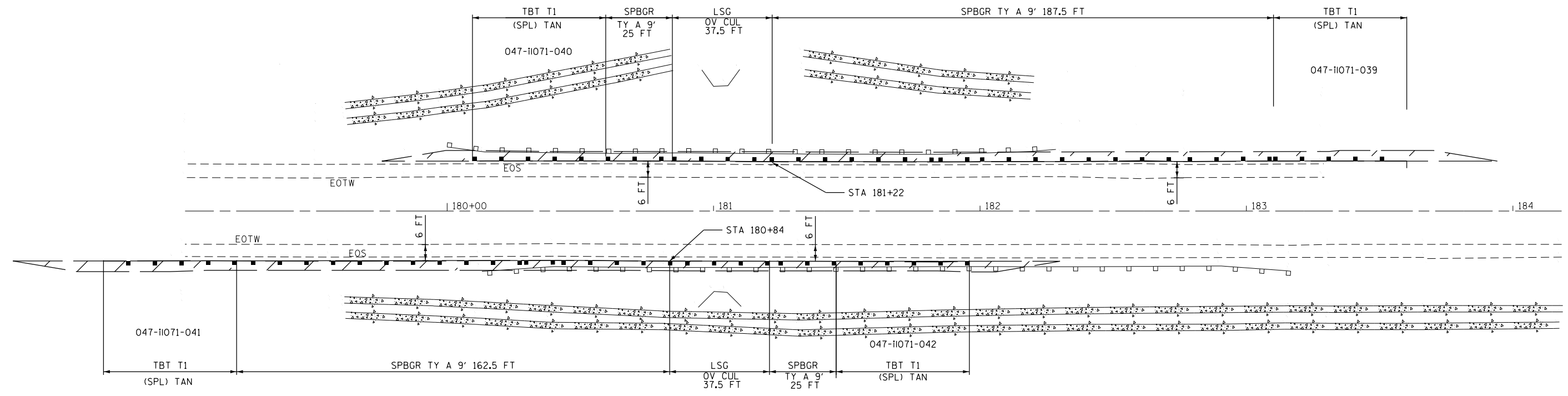
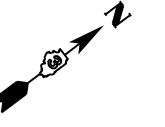
**STATE OF ILLINOIS  
DEPARTMENT OF TRANSPORTATION**

**GUARDRAIL END SECTION REPLACEMENT  
047-11071 (LOCATION 16)**

SCALE: 1"=40'    SHEET    OF    SHEETS    STA.    TO    STA.

F.A.-RTE.	SECTION	COUNTY	TOTAL SHEETS	SHEET NO.
VAR.	D3-J REPLACEMENT 2018	VARIOUS	32	24
CONTRACT NO. 66H68			ILLINOIS FED. AID PROJECT	





IL 71



X:\04\2017\07\006-30\CAD\Transportation\dgm\CAD\_Shts\0366H68-sht-Location#18.dgn 4/22/2018 3:35:40 PM

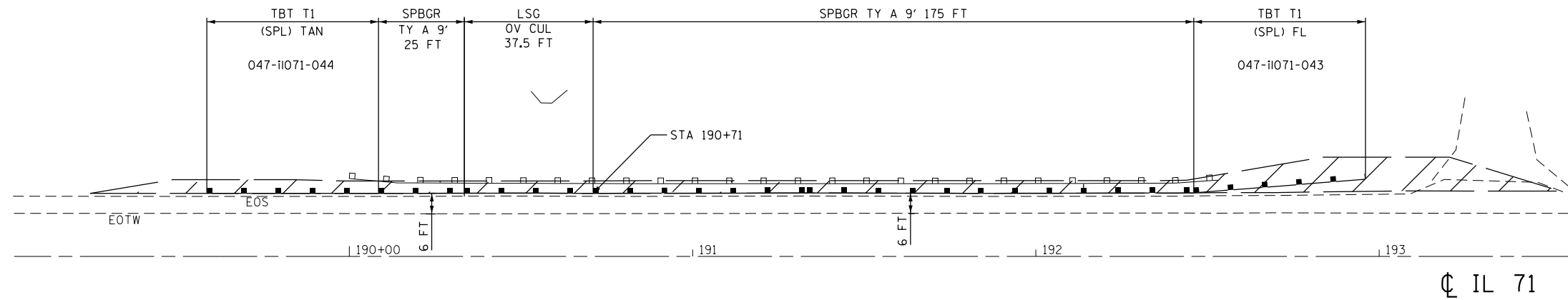


USER NAME = 1908	DESIGNED -	REVISED -
PLOT DRIVER = pdfNOLAYERSbw.pltcf	DRAWN -	REVISED -
PEN TABLE = 20173006-30.tbl	CHECKED -	REVISED -
PLOT SCALE = 480.0000' / ft.	DATE - 03/27/18	REVISED -

**STATE OF ILLINOIS  
DEPARTMENT OF TRANSPORTATION**

<b>GUARDRAIL END SECTION REPLACEMENT 047-11071 (LOCATION 18)</b>			
SCALE: 1"=40'	SHEET	OF SHEETS	STA. TO STA.

F.A.-RTE.	SECTION	COUNTY	TOTAL SHEETS	SHEET NO.
VAR.	D3-J REPLACEMENT 2018	VARIOUS	32	25
ILLINOIS FED. AID PROJECT			CONTRACT NO. 66H68	



X:\04\2017\006-30\CAD\Transportation\dgm\CAD\_Shts\D366H68-sht-Location#19.dgn  
4/22/2018 - 3:54:12 PM

**GR&EF** 8501 W. Higgins Road, Suite 280  
Chicago, Illinois 60631  
(773) 399-0112

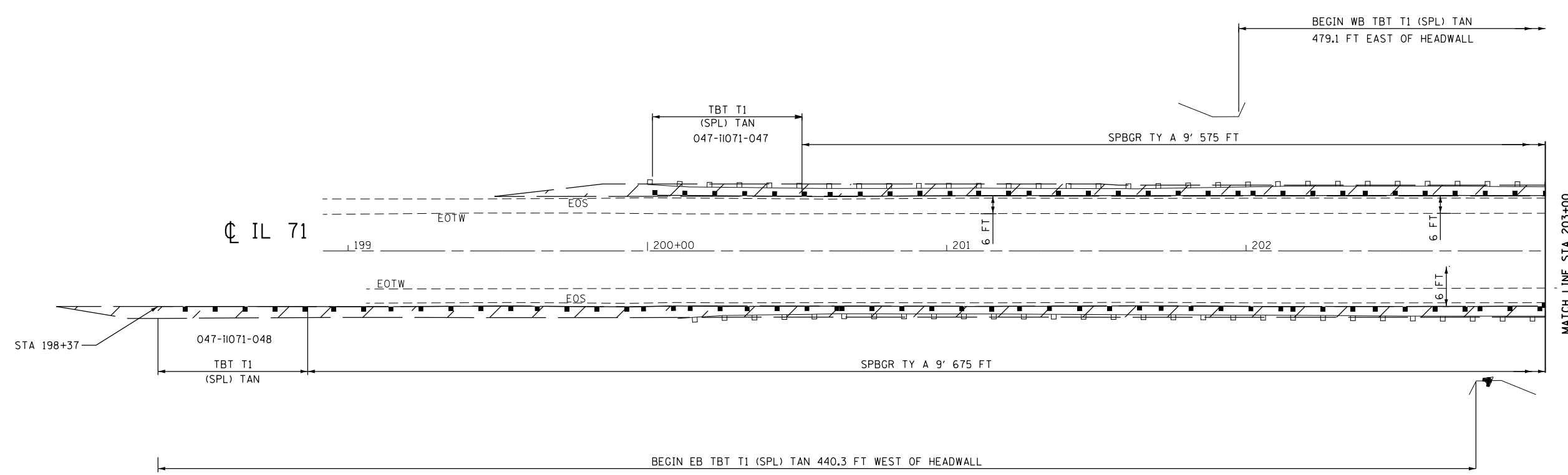
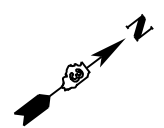
USER NAME = 1908	DESIGNED -	REVISED -
PLOT DRIVER = pdfNQLAYERSbw.pltcfp	DRAWN -	REVISED -
PEN TABLE = 20173006-30.tbl	CHECKED -	REVISED -
PLOT SCALE = 480.0000' / ft.	DATE - 03/27/18	REVISED -

**STATE OF ILLINOIS  
DEPARTMENT OF TRANSPORTATION**

**GUARDRAIL END SECTION REPLACEMENT  
047-11071 (LOCATION 19)**

SCALE: 1"=40'    SHEET    OF    SHEETS    STA.    TO STA.

F.A. - RTE.	SECTION	COUNTY	TOTAL SHEETS	SHEET NO.
VAR.	D3-J REPLACEMENT 2018	VARIOUS	32	26
CONTRACT NO. 66H68			ILLINOIS FED. AID PROJECT	



X:\OH\2017\2017006-30\CAD\Transportation\dgm\CAD\_Shts\03666468-sht-Location#20-.dgn 4/22/2018 3:34:42 PM



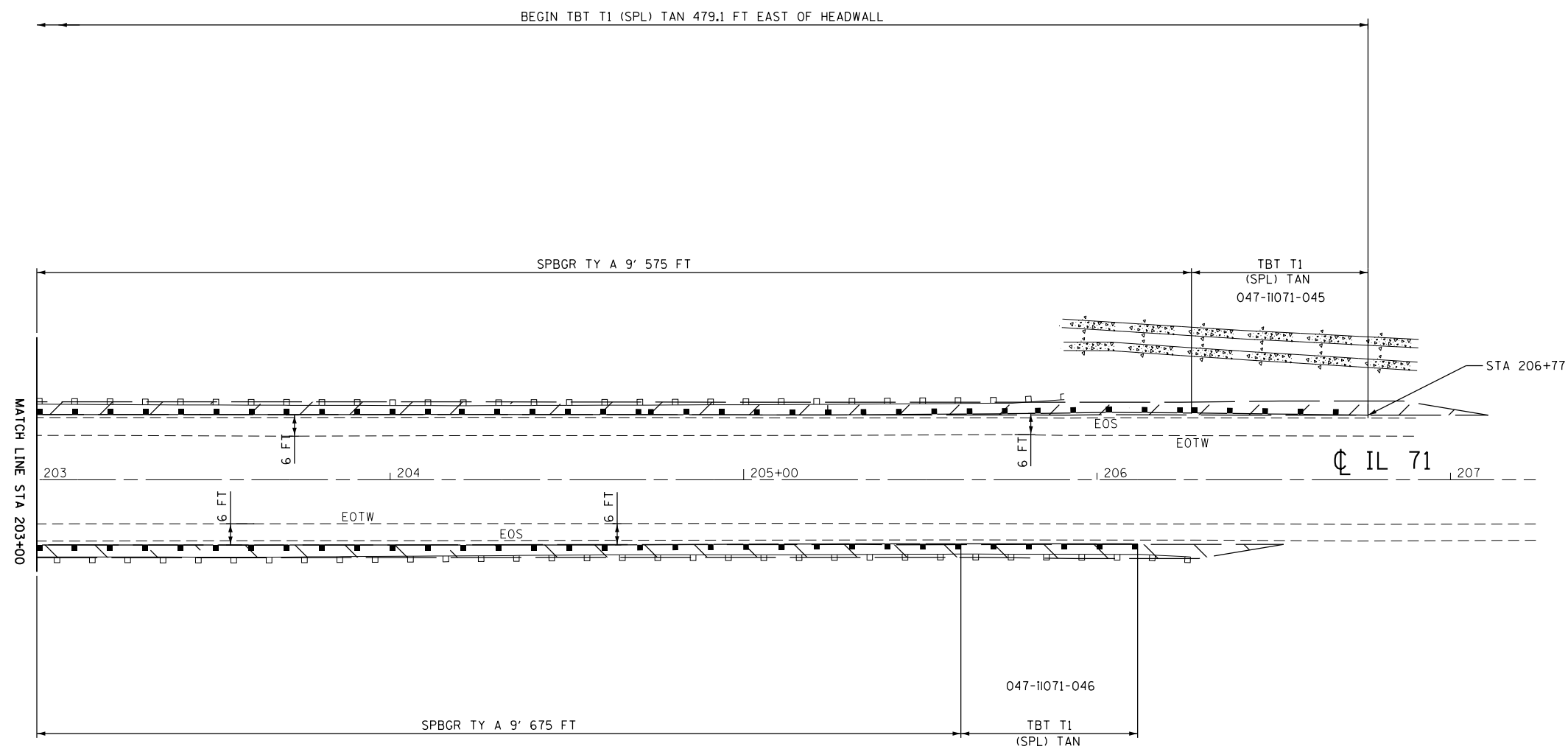
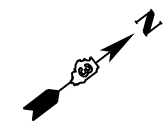
USER NAME = 1908	DESIGNED -	REVISED -
PLOT DRIVER = pdfNQLAYERSbw.pltcf	DRAWN -	REVISED -
PEN TABLE = 20173006-30.tbl	CHECKED -	REVISED -
PLOT SCALE = 480.0000' / ft.	DATE - 03/27/18	REVISED -

**STATE OF ILLINOIS  
DEPARTMENT OF TRANSPORTATION**

**GUARDRAIL END SECTION REPLACEMENT  
047-11071 (LOCATION 20)**

SCALE: 1"=40'    SHEET 1 OF 2 SHEETS    STA.    TO STA.

F.A. - RTE.	SECTION	COUNTY	TOTAL SHEETS	SHEET NO.
VAR.	D3-J REPLACEMENT 2018	VARIOUS	32	27
CONTRACT NO. 66H68			ILLINOIS FED. AID PROJECT	



X:\04\2017\07\06-30\CAD\Transportation\dgn\CAD\_Shts\0366H68-sht-Location#20-2.dgn  
4/22/2018 3:34:13 PM



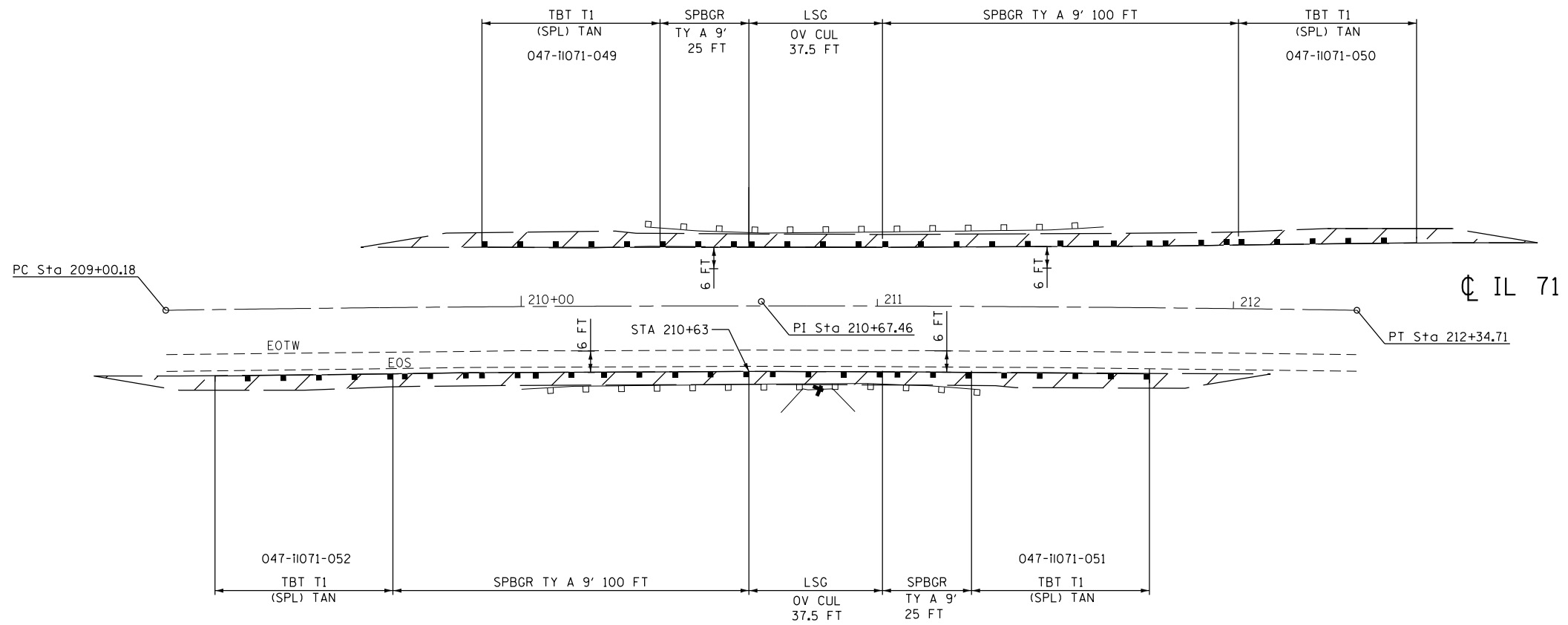
USER NAME = 1908	DESIGNED -	REVISED -
PLOT DRIVER = pdfNOLAYERSbw.pltcfp	DRAWN -	REVISED -
PEN TABLE = 20173006-30.tbl	CHECKED -	REVISED -
PLOT SCALE = 480.0000' / ft.	DATE - 03/27/18	REVISED -

**STATE OF ILLINOIS  
DEPARTMENT OF TRANSPORTATION**

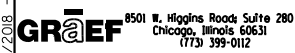
<b>GUARDRAIL END SECTION REPLACEMENT 047-11071 (LOCATION 20)</b>			
SCALE: 1"=40'	SHEET 2	OF 2 SHEETS	STA. TO STA.

F.A. - RTE.	SECTION	COUNTY	TOTAL SHEETS	SHEET NO.
VAR.	D3-J REPLACEMENT 2018	VARIOUS	32	28
CONTRACT NO. 66H68				
ILLINOIS FED. AID PROJECT				

PI STA. = 210+67.46  
 $\Delta$  = 1° 41' 50" (RT)  
 D = 0° 30' 26"  
 R = 11,293.94'  
 T = 167.27'  
 L = 334.52'  
 E = 1.24'  
 P.C. STA. = 209+00.18  
 P.T. STA. = 212+34.71



X:\04\2017\2017006-30\CAD\Transportation\CAD\_Shts\0366H68-sht-Location#2.dgn  
 4/22/2018 3:35:44 PM



USER NAME = 1908	DESIGNED -	REVISED -
PLOT DRIVER = pdfNOLAYERSbw.pltcf	DRAWN -	REVISED -
PEN TABLE = 20173006-30.tbl	CHECKED -	REVISED -
PLOT SCALE = 480.0000' / ft.	DATE - 03/27/18	REVISED -

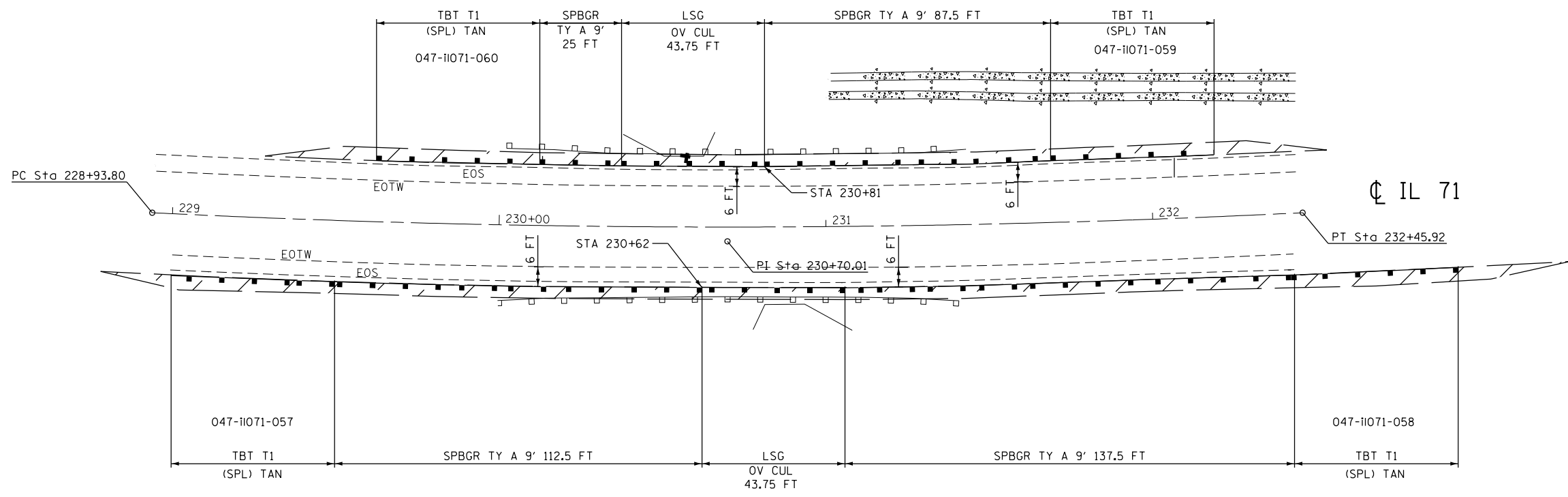
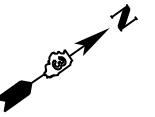
**STATE OF ILLINOIS  
 DEPARTMENT OF TRANSPORTATION**

**GUARDRAIL END SECTION REPLACEMENT  
 047-11071 (LOCATION 21)**

SCALE: 1"=40'    SHEET    OF    SHEETS    STA.    TO    STA.

F.A. - RTE.	SECTION	COUNTY	TOTAL SHEETS	SHEET NO.
VAR.	D3-J REPLACEMENT 2018	VARIOUS	32	29
CONTRACT NO. 66H68				
ILLINOIS FED. AID PROJECT				

PI STA. = 230+70.01  
 $\Delta$  = 5° 41' 39" (LT)  
 D = 1° 37' 02"  
 R = 3,543.00'  
 T = 176.20'  
 L = 352.11'  
 E = 4.38'  
 P.C. STA. = 228+93.80  
 P.T. STA. = 232+45.92



X:\04\2017\2017006-30\CAD\Transportation\CAD\_Shts\0366468-sht-Location#23.dgn  
 4/22/2018 5:34:45 PM



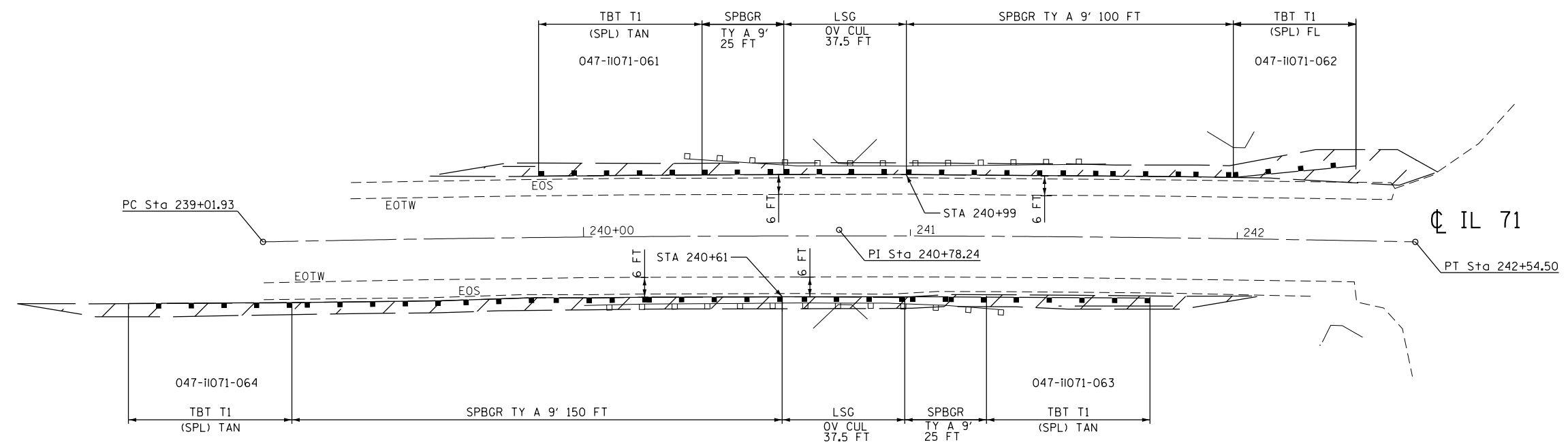
USER NAME = 1908	DESIGNED -	REVISED -
PLOT DRIVER = pdfNQLAYERSbw.pltcf	DRAWN -	REVISED -
PEN TABLE = 20173006-30.tbl	CHECKED -	REVISED -
PLOT SCALE = 480.0000' / ft.	DATE - 03/27/18	REVISED -

**STATE OF ILLINOIS**  
**DEPARTMENT OF TRANSPORTATION**

<b>GUARDRAIL END SECTION REPLACEMENT</b>			
<b>047-11071 (LOCATION 23)</b>			
SCALE: 1"=40'	SHEET	OF	SHEETS
	STA.		TO STA.

F.A. - RTE.	SECTION	COUNTY	TOTAL SHEETS	SHEET NO.
VAR. D3-J REPLACEMENT 2018			32	30
CONTRACT NO. 66H68				
ILLINOIS FED. AID PROJECT				

PI STA. = 240+78.24  
 $\Delta = 2^\circ 23' 54''$  (RT)  
 $D = 0^\circ 40' 49''$   
 $R = 8,423.05'$   
 $T = 176.31'$   
 $L = 352.57'$   
 $E = 1.85'$   
 P.C. STA. = 239+01.93  
 P.T. STA. = 242+54.50



X:\04\2017\07\06-30\CAD\Transportation\CAD\_Shts\0366H68-sht-Location#24.dgn  
 4/22/2018 3:34:46 PM

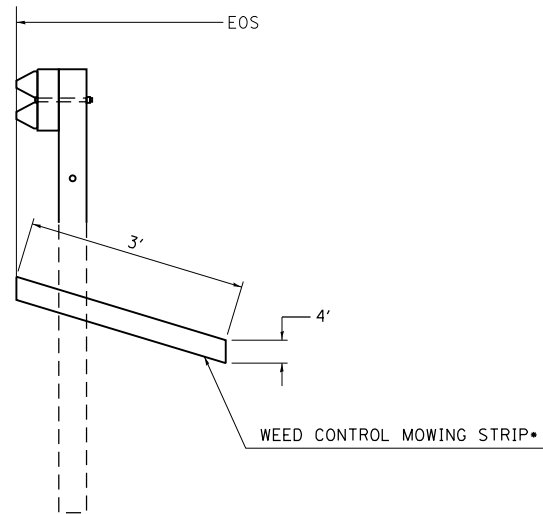


USER NAME = 1908	DESIGNED -	REVISED -
PLOT DRIVER = pdfNQLAYERSbw.pltcf	DRAWN -	REVISED -
PEN TABLE = 20173006-30.tbl	CHECKED -	REVISED -
PLOT SCALE = 480.0000' / ft.	DATE - 03/27/18	REVISED -

**STATE OF ILLINOIS**  
**DEPARTMENT OF TRANSPORTATION**

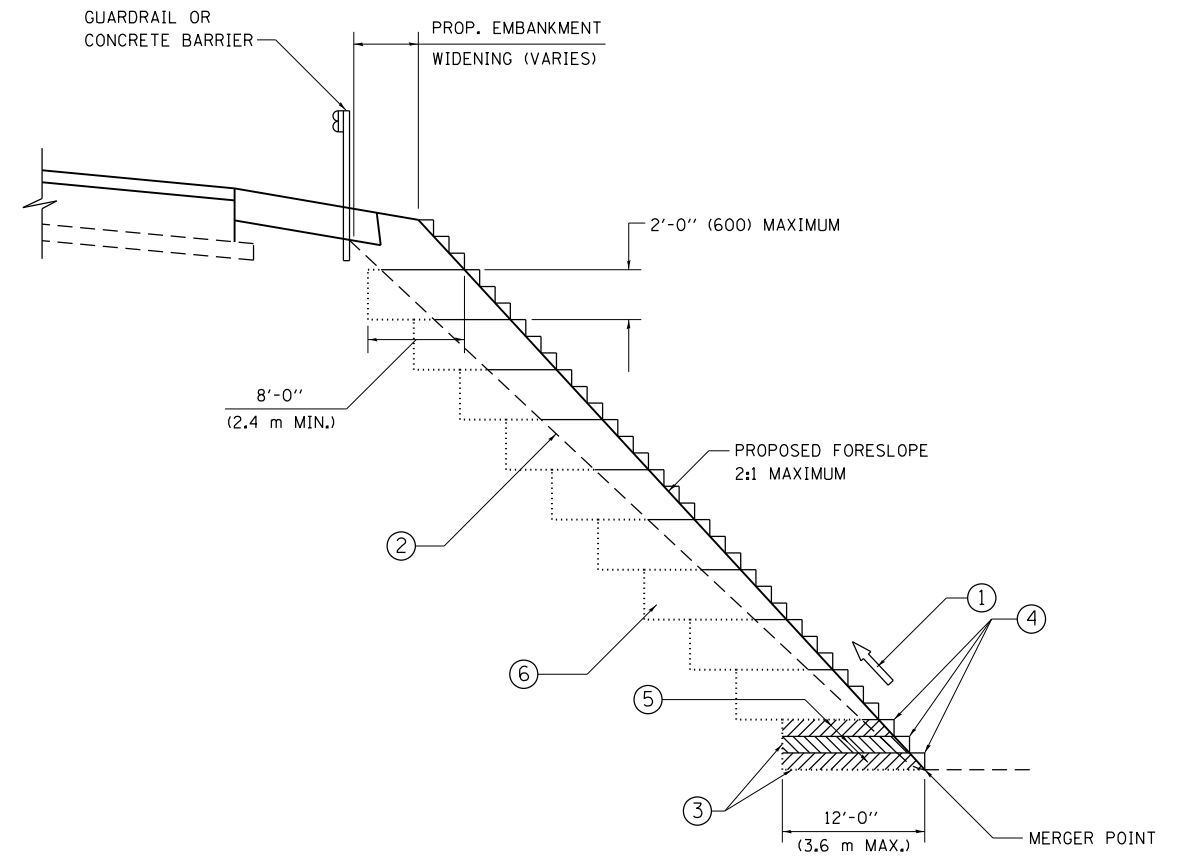
<b>GUARDRAIL END SECTION REPLACEMENT</b> <b>047-ii071 (LOCATION 24)</b>			
SCALE: 1"=40'	SHEET	OF SHEETS	STA. TO STA.

F.A.-RTE.	SECTION	COUNTY	TOTAL SHEETS	SHEET NO.
VAR.	D3-J REPLACEMENT 2018	VARIOUS	32	31
ILLINOIS FED. AID PROJECT <b>CONTRACT NO. 66H68</b>				



• PLACE WEED CONTROL MOWING STRIP UNDER ALL PROPOSED GUARDRAIL AND SECTIONS. TAPER WEED CONTROL MOWING STRIP AT THE SAME RATE AS THE TBT, TYPE I (SP) SO THAT WEED CONTROL MOWING STRIP IS BEHIND GUARDRAIL AT ALL TIMES.

**WEED CONTROL MOWING STRIP (SPECIAL)**



**TYPICAL BENCHING DETAIL FOR EMBANKMENT**

**NOTES:**

- ① CONSTRUCT SUCCEEDING BENCH CUTS AND EMBANKMENT PLACEMENT AND COMPACTION FROM BOTTOM TO TOP IN STAIRSTEP FASHION.
- ② EXISTING FORESLOPE PREPARED IN ACCORDANCE WITH ARTICLE 205.03 OF THE STANDARD SPECIFICATIONS.
- ③ BENCH CUT EXISTING SLOPE TYPICAL FOR EACH STEP.
- ④ TRIM TO FINAL SLOPE.
- ⑤ EQUAL 8-INCH (200) LIFTS OF EMBANKMENT COMPACTED IN ACCORDANCE WITH ARTICLE 205.05 OF THE STANDARD SPECIFICATIONS.
- ⑥ EXCAVATION OF BENCH CUTS WITHIN EXISTING EMBANKMENT WILL BE INCLUDED IN THE COST OF FURNISHED EXCAVATION. THIS WORK WILL INCLUDE ALL LABOR AND MATERIAL, NO ADDITIONAL COMPENSATION WILL BE ALLOWED.
- ⑦ SLOPES SHALL BE BENCHED ACCORDING TO THIS DETAIL WHEN THE SLOPE IS STEEPER THAN 1:4 AND THE HEIGHT IS GREATER THAN 5' (1.5 m).

ALL DIMENSIONS ARE IN INCHES (MILLIMETERS) UNLESS OTHERWISE SHOWN.

X:\04\2017\2017006-30\CAD\Transportation\dgn\CAD\_Shts\0366468-sht-Derrollis.dgn 4/22/2018 - 3:54:17 PM

**GR&EF** 8501 W. Higgins Road, Suite 280  
Chicago, Illinois 60631  
(773) 399-0112

USER NAME = 1908	DESIGNED -	REVISED -
PLOT DRIVER = pdfNOLAYERSbw.pltcfp	DRAWN -	REVISED -
PEN TABLE = 20173006-30.tbl	CHECKED -	REVISED -
PLOT SCALE = 24.0000 / ft.	DATE - 03/27/18	REVISED -

**STATE OF ILLINOIS  
DEPARTMENT OF TRANSPORTATION**

**GUARDRAIL END SECTION REPLACEMENT  
BENCHING DETAIL FOR EMBANKMENT WIDENING**

SCALE: #5/8"=1'-0" SHEET #D35 OF #D035 SHEETS STA. TO STA.

F.A.-RTE.	SECTION	COUNTY	TOTAL SHEETS	SHEET NO.
VAR.	D3-J REPLACEMENT 2018	VARIOUS	32	32
BD-51			CONTRACT NO. 66H68	
ILLINOIS FED. AID PROJECT				