

STATE OF ILLINOIS
DEPARTMENT OF TRANSPORTATION

F.A.I. RTE.	SECTION	COUNTY	TOTAL SHEETS	SHEET NO.
57	(46-3,4) SFT, CBL	KANKAKEE	8	1
		ILLINOIS	CONTRACT NO. 66J06	

INDEX OF SHEETS

- 1 COVER SHEET
- 2 GENERAL NOTES
- 3 SUMMARY OF QUANTITIES
- 4 TYPICAL SECTIONS
- 5 SCHEDULE
- 6-8 DETAILS

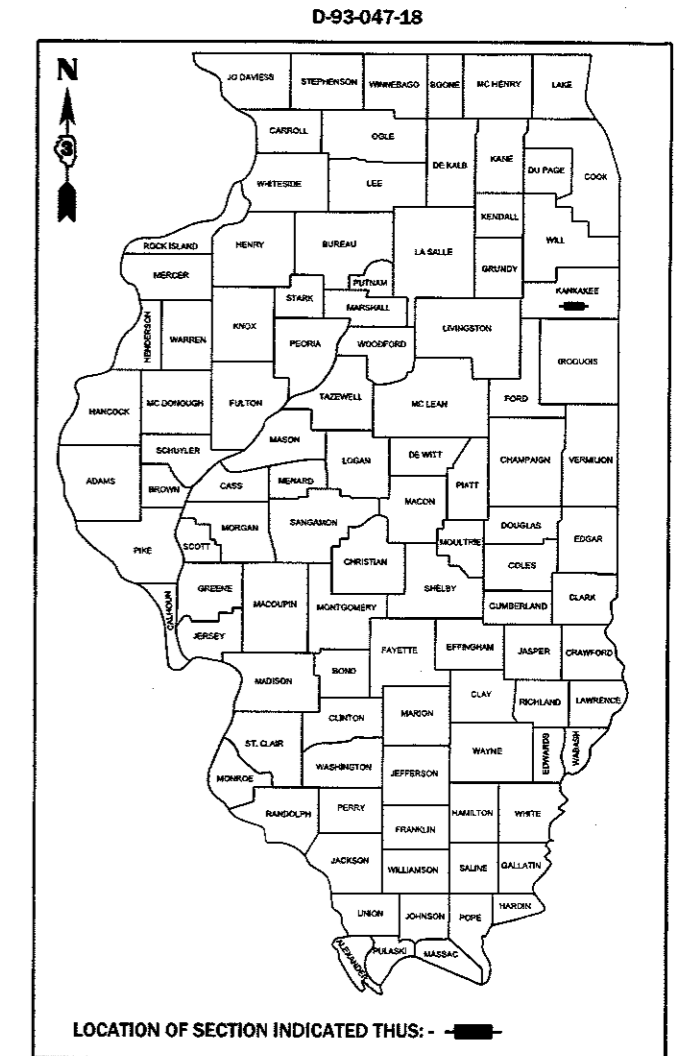
PROPOSED HIGHWAY PLANS

**FAI ROUTE 57 (I-57)
SECTION (46-3,4) SFY, CBL
PROJECT: HSIP - 00J5 (453)
HIGH TENSION CABLE MEDIAN BARRIER
KANKAKEE COUNTY**

C-93-051-018

LIST OF ILLINOIS DOT HIGHWAY STANDARDS

- 000001-06 STANDARD SYMBOLS, ABBREVIATIONS AND PATTERNS
- 001006 DECIMAL OF AN INCH AND OF A FOOT
- 701101-05 OFF-ROAD OPERATIONS, MULTILANE, 15' (4.5 m) TO 24" (600 mm) FROM PAVEMENT EDGE
- 701106-02 OFF-ROAD OPERATIONS, MULTILANE, MORE THAN 15' (4.5 m) AWAY
- 701406-11 LANE CLOSURE, FREEWAY/EXPRESSWAY, DAY OPERATIONS ONLY
- 701456-05 PARTIAL EXIT RAMP CLOSURE FREEWAY/EXPRESSWAY
- 701901-07 TRAFFIC CONTROL DEVICES



URBAN INTERSTATE
2015 ADT=23,000
P.V.=72.1% S.U.=4.4% M.U.=23.5%

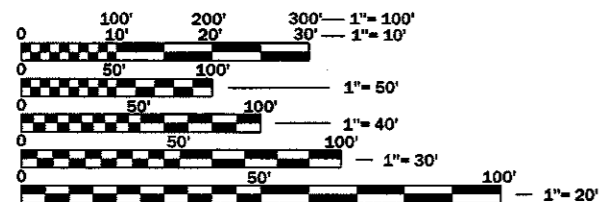
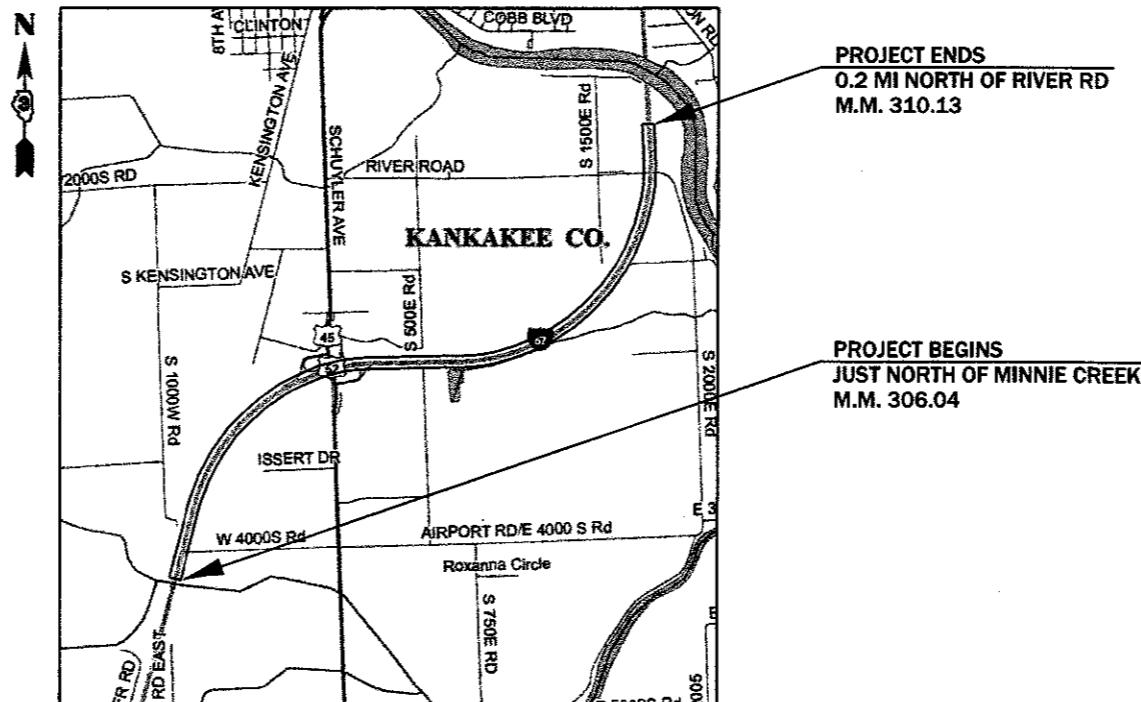
STATE OF ILLINOIS
DEPARTMENT OF TRANSPORTATION

SUBMITTED 3-22 2018
K. Marshall
REGIONAL ENGINEER

May 11 2018
ENGINEER OF DESIGN AND ENVIRONMENT

Paul P. Chy
DIRECTOR OF HIGHWAYS PROJECT IMPLEMENTATION

**PRINTED BY THE AUTHORITY
OF THE STATE OF ILLINOIS**



FULL SIZE PLANS HAVE BEEN PREPARED USING STANDARD ENGINEERING SCALES. REDUCED SIZED PLANS WILL NOT CONFORM TO STANDARD SCALES. IN MAKING MEASUREMENTS ON REDUCED PLANS, THE ABOVE SCALES MAY BE USED.

J.U.L.I.E.
JOINT UTILITY LOCATION INFORMATION FOR EXCAVATION
1-800-892-0123
OR 811

PROJECT ENGINEER: JOE KANNEL, P.E.
UNIT CHIEF: MARC BUDZYNSKI, P.E.
DISTRICT 3 NO. (815) 434-6131
CONTRACT NO. 66J06

GROSS LENGTH = 21,595 FT. = 4.09 MILES
NET LENGTH = 21,384 FT. = 4.05 MILES

GENERAL NOTES

FOR STABILIZATION, ALL TYPE III BARRICADES WILL REQUIRE A MINIMUM OF FOUR SAND BAGS PER BARRICADE.

SEEDING WILL NOT BE PERMITTED AT ANY TIME WHEN THE GROUND IS FROZEN, WET, OR IN AN UNTILLABLE CONDITION. LOCATIONS TO BE SEEDED WILL BE DETERMINED BY THE ENGINEER.

ALL EXCAVATED MATERIAL, WHICH INCLUDES DIGGING OR GRADING OF ANY SOIL OR FILL MATERIAL, WITH THE EXCEPTION OF AGGREGATE FILLS, MUST BE INCORPORATED WITHIN THE IDOT RIGHT OF WAY DUE TO ENVIRONMENTAL DOCUMENTATION REQUIREMENTS.

ABANDONED UNDERGROUND UTILITIES THAT CONFLICT WITH CONSTRUCTION SHALL BE DISPOSED OF OUTSIDE THE LIMITS OF THE RIGHT OF WAY ACCORDING TO ARTICLE 202.03 OF THE STANDARD SPECIFICATIONS AND AS DIRECTED BY THE ENGINEER. THIS WORK WILL NOT BE PAID FOR SEPARATELY, BUT WILL BE INCLUDED IN THE COST OF WEED CONTROL MOWING STRIP (SPECIAL).

ANY REFERENCE TO A STANDARD IN THESE PLANS SHALL BE INTERPRETED TO MEAN THE EDITION AS INDICATED BY THE SUBNUMBER SHOWN IN THE LIST OF STANDARDS OR THE COPY INCLUDED IN THESE PLANS.

ALL DAMAGE TO DEPARTMENT OWNED UNDERGROUND FACILITIES, CAUSED BY THE CONTRACTOR SHALL BE REPAIRED TO THE SATISFACTION OF THE DEPARTMENT AT THE CONTRACTOR'S EXPENSE. THIS SHALL INCLUDE ALL TEMPORARY REPAIRS REQUIRED TO KEEP THE FACILITY OPERATIONAL WHILE MATERIAL IS BEING OBTAINED TO MAKE PERMANENT REPAIRS. SPLICING OF ELECTRIC CABLE WILL NOT BE ALLOWED. ELECTRIC CABLE SHALL BE REPLACED FROM POLE TO POLE OR CONTROLLER.

THE CONTRACTOR SHALL CONTACT JULIE AT LEAST 48 HOURS PRIOR TO EXCAVATION TO DETERMINE WHICH UTILITIES ARE IN THE AREA.

COMMITMENTS:

STATE OF ILLINOIS
DEPARTMENT OF TRANSPORTATION
DISTRICT THREE
AS BUILT INFORMATION

SUPERVISING CONSTRUCTION FIELD ENGINEER

RESIDENT ENGINEER / TECHNICIAN

START & END DATES
OF CONSTRUCTION: _____

INSPECTORS: _____

STATE OF ILLINOIS
DEPARTMENT OF TRANSPORTATION
DISTRICT THREE

PREPARED BY: *Tom Benik*
DISTRICT STUDIES & PLANS ENGINEER

DATE: 3-22-18

EXAMINED BY: *[Signature]*
DISTRICT CONSTRUCTION ENGINEER

Michael Ashes
DISTRICT MATERIALS ENGINEER

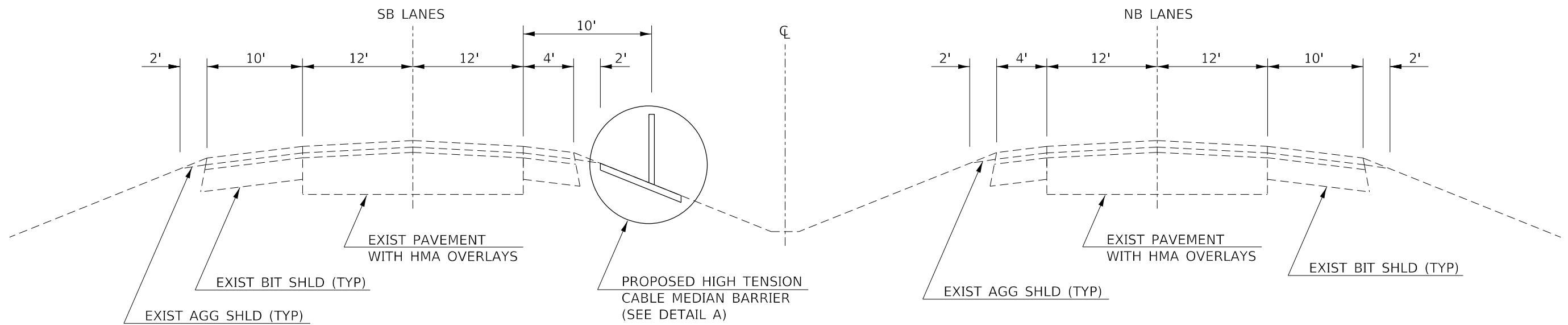
Tom Hagan
DISTRICT OPERATIONS ENGINEER

FILE NAME =	USER NAME = budzynskm	DESIGNED -	REVISED -	STATE OF ILLINOIS DEPARTMENT OF TRANSPORTATION	GENERAL NOTES	F.A.I. RTE.	SECTION	COUNTY	TOTAL SHEETS	SHEET NO.	
pc:\11\084EBID\INTEG\Illinois.gov\PWIDOT\Documents\BUD	DT Offices\District 3\Projects\0366-06\CAD\Drawings\0366-06-01	DRAWN -	REVISED -			57	(46-3,4) SFT, CBL	KANKAKEE	8	2	
Default	PLOT SCALE = 100.0000' / in.	CHECKED -	REVISED -			CONTRACT NO. 66J06					
	PLOT DATE = 3/22/2018	DATE -	REVISED -			ILLINOIS FED. AID PROJECT					

CONSTR. CODE
 90% FED
 10% STATE
 ROADWAY
 0021
 URBAN

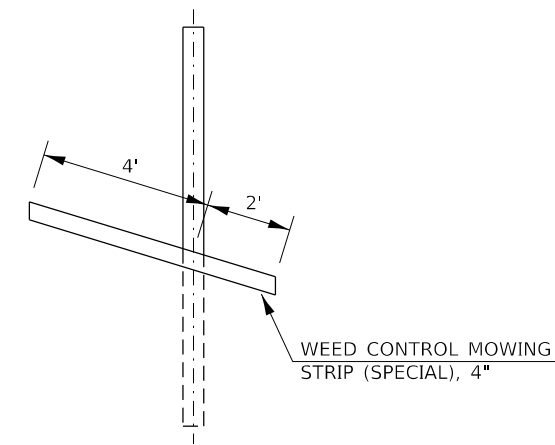
CODE NO.	ITEM	UNIT	TOTAL QUANTITY	
64401100	HIGH TENSION CABLE MEDIAN BARRIER	FOOT	21384	21384
64401300	HIGH TENSION CABLE MEDIAN BARRIER TERMINALS	EACH	6	6
67100100	MOBILIZATION	L SUM	1.0	1.0
70100825	TRAFFIC CONTROL AND PROTECTION, STANDARD 701456	L SUM	1.0	1.0
* 72501100	TERMINAL MARKER - POST MOUNTED	EACH	6	6
X0325231	CABLE GUARD MARKER	EACH	536	536
X0325667	WEED CONTROL MOWING STRIP (SPECIAL)	SQ YD	14256	14256
X0326880	MESSAGE BOARD VEHICLE DRIVER	HOUR	200	200
X0326907	PORTABLE, VEHICLE MOUNTED, CHANGEABLE MESSAGE SIGN	CAL MO	2	2
X7010600	TRAFFIC CONTROL AND PROTECTION, STANDARD 701406, SPECIAL	L SUM	1.0	1.0
X7015005	CHANGEABLE MESSAGE SIGN	CAL DAY	70	70
X9700018	TEMPORARY PORTABLE RUMBLE STRIPS	EACH	2	2

* SPECIALTY ITEM



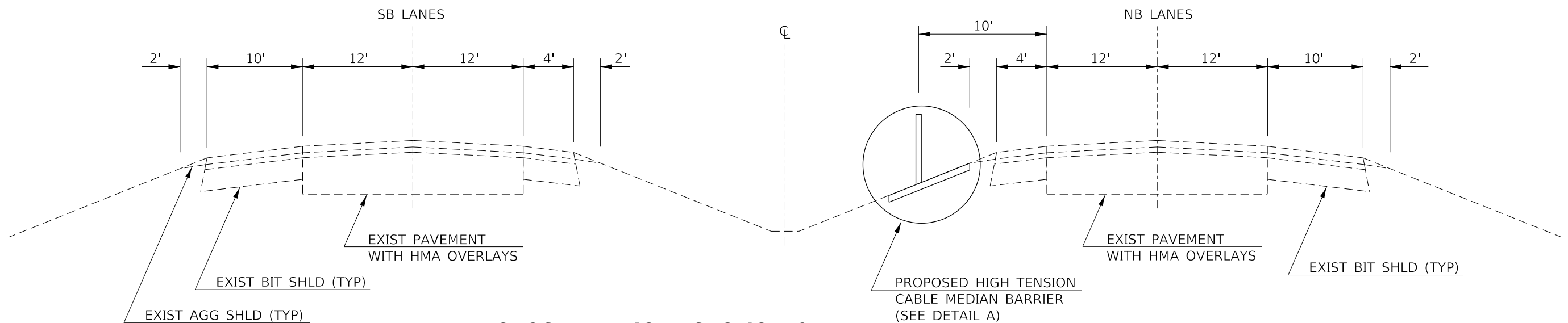
PROPOSED TYPICAL SECTION 1

M.M. 306.88 TO M.M. 308.33
M.M. 308.35 TO M.M. 310.13



DETAIL A

NOTE: CABLE GUARDRAIL ADJACENT TO THE NB LANES WILL BE A MIRROR IMAGE OF THIS DETAIL



PROPOSED TYPICAL SECTION 2

M.M. 306.04 TO M.M. 306.86

FILE NAME =	USER NAME = budzynsklm	DESIGNED -	REVISED -	STATE OF ILLINOIS DEPARTMENT OF TRANSPORTATION	TYPICAL SECTIONS			F.A.I. RTE.	SECTION	COUNTY	TOTAL SHEETS	SHEET NO.
pw:\il084EBID\INTEG\Illnotes.gov\PWIDOT\Documents\DOT\Office\District 3\Projects\D366J06\CADDData\D366J06-shd-cover.dwg	DRAWN -	REVISED -	REVISED -					57	(46-3.4) SFT, CBL	KANKAKEE	8	4
Default	PLOT SCALE = 100.0000' / in.	CHECKED -	REVISED -		CONTRACT NO. 66J06			ILLINOIS FED. AID PROJECT				
	PLOT DATE = 3/22/2018	DATE -	REVISED -		SCALE: _____	SHEET _____	OF _____	SHEETS	STA. _____	TO STA. _____		

HIGH TENSION CABLE MEDIAN BARRIER SCHEDULE									
LOCATION			SIDE	LENGTH	HT CBL MEDIAN BARRIER	CABLE GUARD MARKER	HT CBL MED BAR TERM	TERMINAL MARKER - POST MOUNTED	WEED CONTROL MOWING STRIP (SPECIAL)
M.M.	TO	M.M.	LT/RT	MILES	FOOT	EACH	EACH	EACH	SQ YD
306.04	TO	306.86	RT	0.82	4330	109	2	2	2886
CROSSOVER OMISSION									
306.88	TO	308.33	LT	1.45	7656	192	2	2	5104
CROSSOVER OMISSION									
308.35	TO	310.13	LT	1.78	9398	235	2	2	6266
TOTAL				4.05	21384	536	6	6	14256



PLACE THE EXCAVATED MATERIAL FROM THE MOW STRIP IN APPROXIMATELY A 300' x 100' AREA. THE AREA SHALL BE SEEDED AND MULCHED AS DESCRIBED IN THE PLANS AND SPECIAL PROVISIONS.

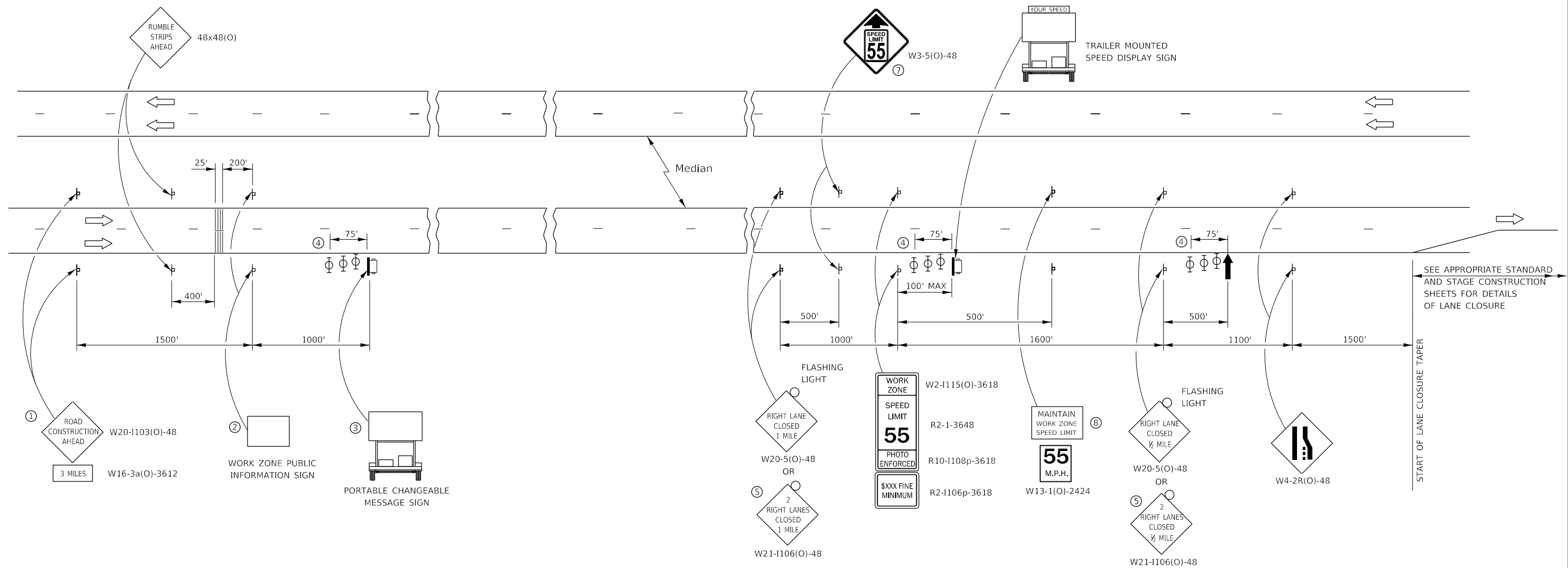
FILE NAME =	USER NAME = budzynsklm	DESIGNED - ____	REVISED - ____
pw:\il084EBID\INTEG\Illnotes.gov\PWIDOT\Documents\DOT\Office\District 3\Projects\0366J06\CADDData\0366J06-sht-cov	DRAWN - ____	CHECKED - ____	REVISED - ____
Default	PLOT SCALE = 100.0000' / in.	DATE - ____	REVISED - ____
	PLOT DATE = 3/22/2018		

**STATE OF ILLINOIS
DEPARTMENT OF TRANSPORTATION**

MOW STRIP EXCAVATION PLACEMENT DETAIL

SCALE: ____ SHEET ____ OF ____ SHEETS STA. ____ TO STA. ____

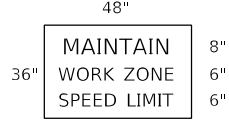
F.A.I. RTE.	SECTION	COUNTY	TOTAL SHEETS	SHEET NO.
57	(46-3.4) SFT, CBL	KANKAKEE	8	6
CONTRACT NO. 66J06				
ILLINOIS FED. AID PROJECT				



SEE APPROPRIATE STANDARD AND STAGE CONSTRUCTION SHEETS FOR DETAILS OF LANE CLOSURE

- ① THE ROAD CONSTRUCTION AHEAD SIGN SHALL BE LOCATED 3 MILES IN ADVANCE OF THE PROJECT LIMITS.
- ② THE MESSAGE AND SIZE OF THE WORK ZONE PUBLIC INFORMATION SIGN SHALL BE AS SPECIFIED BY THE DEPARTMENT.
- ③ TO BE PLACED IN THE MEDIAN WHEN FEASIBLE. THE MESSAGE BOARD SHALL BE USED TO DISPLAY STATUS OF LANES WITHIN THE PROJECT. THE PRIMARY MESSAGES SHALL BE:
 "RIGHT LANE CLOSED" / " x MILES AHEAD"
 "LEFT LANE CLOSED" / " x MILES AHEAD"
 "ALL LANES OPEN"
- ④ THREE, TYPE II BARRICADES, DRUMS, OR VERTICAL BARRICADES AT 25' CENTERS.
- ⑤ THIS SIGN SHALL BE USED WHEN 2 LANES ARE CLOSED.
- ⑥ WHEN THE LEFT LANE IS CLOSED, SWITCH THESE TWO SIGNS AND THE DIRECTION OF THE MERGE ARROW.
- ⑦ THIS SIGN SHALL ONLY BE USED IF THE EXISTING SPEED LIMIT IS GREATER THAN 65 MPH.

⑧ 48"x36" FLUORESCENT ORANGE SIGN WITH BLACK LETTERS.



- ↑ ARROW BOARD
- ☐ PORTABLE CHANGEABLE MESSAGE SIGN
- ⊥ SIGN
- ⊕ TYPE II BARRICADE, DRUM, OR VERTICAL BARRICADE WITH MONODIRECTIONAL FLASHING LIGHT

GENERAL NOTE:

THIS STANDARD IS USED WHERE AT ANY TIME A LANE IS CLOSED ON A FREEWAY/EXPRESSWAY.

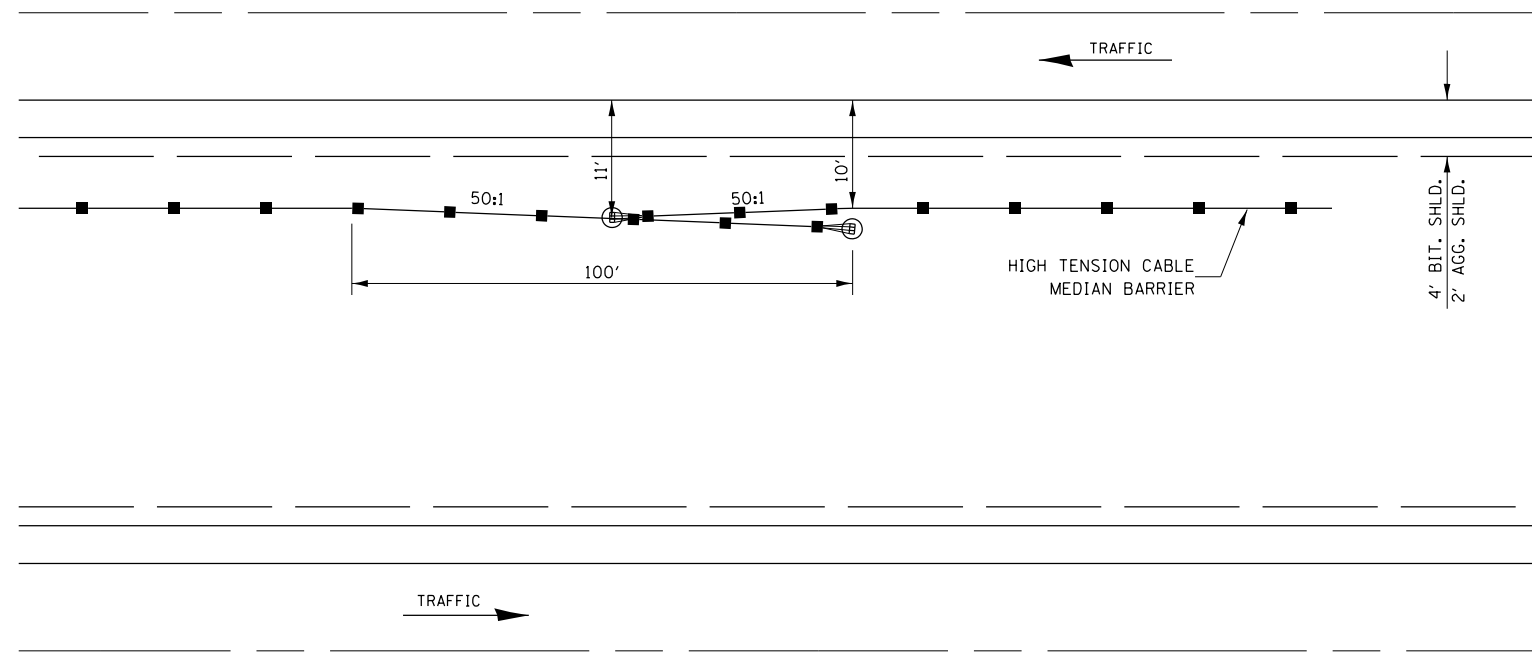
WHEN THE LEFT LANE IS CLOSED, LEFT LANE CLOSED SIGNS SHALL BE SUBSTITUTED FOR THE RIGHT LANE CLOSED SIGNS.

THE FIRST TWO SIGNS AND THE MESSAGE BOARD ARE STATIONARY. THE OTHER SIGNS AND ARROWBOARDS SHALL BE MOVED AS NECESSARY TO MAINTAIN THE REQUIRED DISTANCE FROM THE START OF THE LANE CLOSURE TAPER(S).

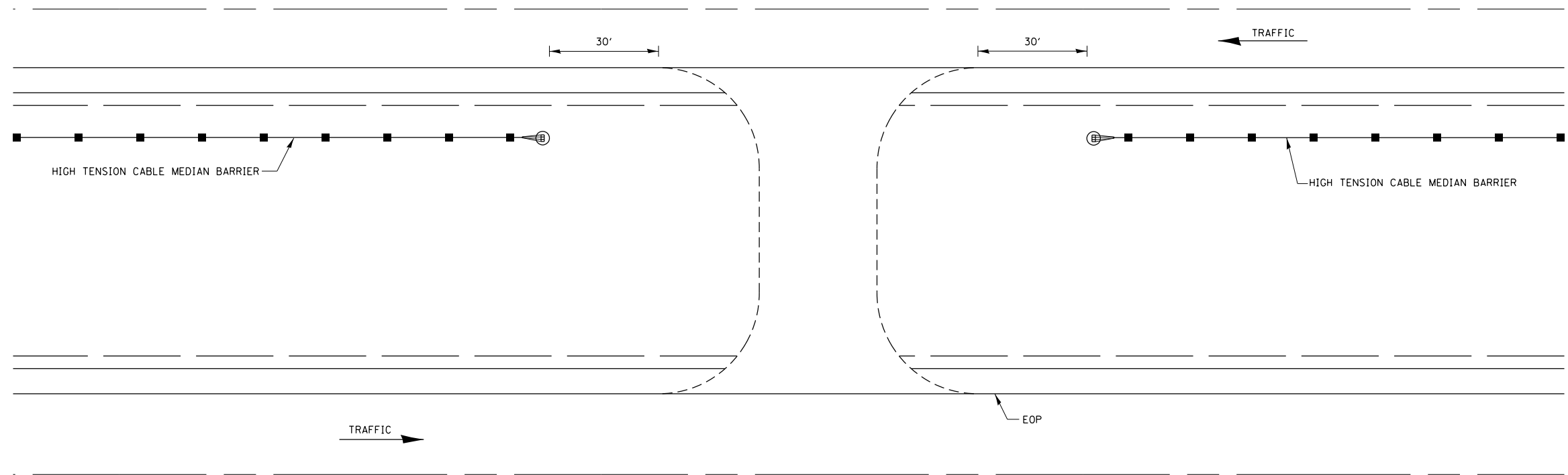
SEE SPECIAL PROVISIONS.

ALL DIMENSIONS ARE IN INCHES UNLESS OTHERWISE SHOWN.

FILE NAME =	USER NAME = budzynsklm	DESIGNED -	REVISED -	STATE OF ILLINOIS DEPARTMENT OF TRANSPORTATION	STANDARD 701400 (SPECIAL)			F.A.I. RTE.	SECTION	COUNTY	TOTAL SHEETS	SHEET NO.
pw:\il084EBIDINTEG\Illnotes.gov\PWIDOT\Documents\DOT\Office\District 3\Projects\0366J06\CADDData\0366J06-sht-covers	DRAWN -	REVISED -	57					(46-3.4) SFT, CBL	KANKAKEE	8	7	
Default	PLOT SCALE = 100.0000' / in.	CHECKED -	REVISED -		SCALE: _____ SHEET _ OF _ SHEETS STA. _____ TO STA. _____			CONTRACT NO. 66J06				
	PLOT DATE = 3/22/2018	DATE -	REVISED -					ILLINOIS FED. AID PROJECT				



HIGH TENSION CABLE BARRIER OVERLAP DETAIL



MAINTENANCE CROSSOVER DETAIL

FILE NAME = pw:\IL084EBID\INTEG\Illnotes.gov\PWIDOT\Documents\DOT	USER NAME = budzynsklm	DESIGNED - ____	REVISED - ____	STATE OF ILLINOIS DEPARTMENT OF TRANSPORTATION	DETAILS		F.A.I. RTE.	SECTION	COUNTY	TOTAL SHEETS	SHEET NO.
	DRAWN - ____	CHECKED - ____	REVISED - ____				57	(46-3.4) SFT, CBL	KANKAKEE	8	8
Default	PLOT SCALE = 100.0000' / in.	DATE - ____	REVISED - ____	SCALE: ____ SHEET ____ OF ____ SHEETS STA. ____ TO STA. ____		CONTRACT NO. 66J06					
	PLOT DATE = 3/22/2018					ILLINOIS FED. AID PROJECT					