

CODE NO.	ITEM	UNIT	TOTAL QUANTITY	FEDERAL FUNDS	FEDERAL FUNDS
				0004	0021
				ROADWAY	TRAFFIC SIGNALS
				SAFETY FUNDS 90% FEDERAL 10% STATE	90% FEDERAL 7.5% STATE 2.5% PEORIA CO
31100910	SUB-BASE GRANULAR MATERIAL, TYPE A 12"	SQ YD	479	479	
40701951	HOT - MIX ASPHALT PAVEMENT (FULL DEPTH), 13.5"	SQ YD	437	437	
44004250	PAVED SHOULDER REMOVAL	SQ YD	459	459	
44213200	SAW CUTS	FOOT	555	555	
60260100	INLETS TO BE ADJUSTED	EACH	1	1	
60618750	CONCRETE MEDIAN, TYPE M-4.06	SQ FT	2182	2182	
67000500	ENGINEER'S FIELD OFFICE, TYPE B	CAL MO	3	3	
67100100	MOBILIZATION	L SUM	1	1	
70100205	TRAFFIC CONTROL AND PROTECTION, STANDARD 701401	EACH	1	1	
70100350	TRAFFIC CONTROL AND PROTECTION, STANDARD 701101	EACH	1	1	
70100700	TRAFFIC CONTROL AND PROTECTION, STANDARD 701406	L SUM	1	1	
* 72000100	SIGN PANEL - TYPE 1	SQ FT	36		36
* 78009000	MODIFIED URETHANE PAVEMENT MARKING - LETTERS AND SYMBOLS	SQ FT	18	18	
* 78009004	MODIFIED URETHANE PAVEMENT MARKING - LINE 4"	FOOT	216	216	
* 78009008	MODIFIED URETHANE PAVEMENT MARKING - LINE 8"	FOOT	178	178	
* 78009012	MODIFIED URETHANE PAVEMENT MARKING - LINE 12"	FOOT	91	91	
80500200	SERVICE INSTALLATION, TYPE B	EACH	1		1
81028350	UNDERGROUND CONDUIT, PVC, 2" DIA.	FOOT	2134		2134
81028370	UNDERGROUND CONDUIT, PVC, 3" DIA.	FOOT	462		462
81300835	JUNCTION BOX, STAINLESS STEEL, ATTACHED TO STRUCTURE, 18" X 18" X 10"	EACH	2		2
81400700	HANDHOLE, PORTLAND CEMENT CONCRETE	EACH	8		8
81400720	DOUBLE HANDHOLE, PORTLAND CEMENT CONCRETE	EACH	1		1
81702130	ELECTRIC CABLE IN CONDUIT, 600V (XLP-TYPE USE) 1/C NO. 6	FOOT	1165.5		1165.5
87301245	ELECTRIC CABLE IN CONDUIT, SIGNAL NO. 14 5C	FOOT	1537.5		1537.5
87301255	ELECTRIC CABLE IN CONDUIT, SIGNAL NO. 14 7C	FOOT	1444		1444
87301515	ELECTRIC CABLE IN CONDUIT, LEAD-IN, NO. 18 3 PAIR	FOOT	659		659
87301900	ELECTRIC CABLE IN CONDUIT, EQUIPMENT GROUNDING CONDUCTOR, NO. 6 1C	FOOT	653		653
20200100	EARTH EXCAVATION	CU YD	283	283	

* SPECIALTY ITEM

MODEL: Default
FILE NAME: S:\NEW DRAFT STAGING\50\ADT\New Projects\US 24 & Cameron Ln\Summary of Quantities.dgn

USER NAME = stowinski
PLOT SCALE = 100,000' / 1" =
PLOT DATE = 3/29/2018

DESIGNED -	REVISED -
DRAWN -	REVISED -
CHECKED -	REVISED -
DATE -	REVISED -

STATE OF ILLINOIS
DEPARTMENT OF TRANSPORTATION

SUMMARY OF QUANTITIES

F.A.P. RTE	SECTION	COUNTY	TOTAL SHEETS	SHEET NO.
317	45TS-1	PEORIA	37	3
CONTRACT NO. 68E03				
ILLINOIS FED. AID PROJECT				

SUB-BASE GRANULAR MATERIAL, TYPE A 12"

LOCATION	Foot	Width	SQ FT	31100910 SQ YD
US 24 (Main-line)				
332+38.93 TO 335+39.92	300.99	12.5'-14.5'	4063.4	451.5
330+16.81 TO 332+38.93	222.12	1'	222.1	24.7
335+05.36 TO 335+15.59	10.23	2.5'	25.6	2.8
TOTAL				479

HOT-MIX ASPHALT PAVEMENT (FULL DEPTH) 13 1/2"

LOCATION	Foot	Width	SQ FT	40701951 SQ YD
US 24 (Main-line)				
332+38.93 TO 335+39.92	300.99	12'-14'	3912.9	434.8
335+05.36 TO 335+15.59	10.23	2'	20.5	2.3
TOTAL				437

PAVED SHOULDER REMOVAL

LOCATION STATION TO STATION	Width	AREA SQFT	44004250 SQYD
US 24 (Main-line)			
332+38.93 TO 335+39.92	12'-14'	3912.9	434.8
330+16.81 TO 332+38.93	1'	222.1	24.7
TOTAL			459

SAW CUTS

LOCATION STATION TO STATION	44213200 FOOT
US 24 (Main-line)	
330+16.81 TO 332+38.93	228.12
332+38.93 TO 335+39.92	326.99
TOTAL	
555	

EARTH EXCAVATION

LOCATION STATION TO STATION	20200100 CU YD
US 24 (Main-line)	
330+16.81 TO 332+38.93	69.93
332+38.93 TO 335+39.92	213.20
TOTAL	
283.13	

INLETS TO BE ADJUSTED

LOCATION	LT/RT	OFFSET FOOT	60260100 EACH
US 24 (Main-line)			
STA 333+08	CL	0.00	1
TOTAL			1

CONCRETE MEDIAN, TYPE M-4.06

LOCATION STATION TO STATION	Width (Ft)	60618750 SQ FT
US 24 (Main-line)		
330+16.81 TO 332+38.93	5	1110.6
332+38.93 TO 335+06.77	4	1071.4
TOTAL		2182

*FROM STA. 330+16.81 - 332+38.93 1 FT. WIDE PAVEMENT INCLUDED IN THE PAY ITEM CONCRETE MEDIAN TYPE M-4.06

ENGINEER'S FIELD OFFICE, TYPE B

LOCATION	67000500 CAL MO
ENTIRE PROJECT	3.0
TOTAL	3.0

MOBILIZATION

LOCATION	67100100 L SUM
ENTIRE PROJECT	1
TOTAL	1

TRAFFIC CONTROL SCHEDULE

LOCATION	70100205 TRAFFIC CONTROL AND PROTECTION, STANDARD 701401 EACH	70100350 TRAFFIC CONTROL AND PROTECTION, STANDARD 701101 EACH	70100700 TRAFFIC CONTROL AND PROTECTION, STANDARD 701406 L SUM
ENTIRE PROJECT	1	1	1
TOTALS	1	1	1

MODEL: Default
FILE NAME: S:\CADD\PROJECTS\US24\US24.dwg
PROJECT: US 24 & Cameron Lane Schedule of Quantities.dgn
DATE: 6/4/2018

USER NAME = slowinski	DESIGNED - _____	REVISED - _____
PLOT SCALE = 100.000' / in.	CHECKED - _____	REVISED - _____
PLOT DATE = 6/4/2018	DATE - _____	REVISED - _____

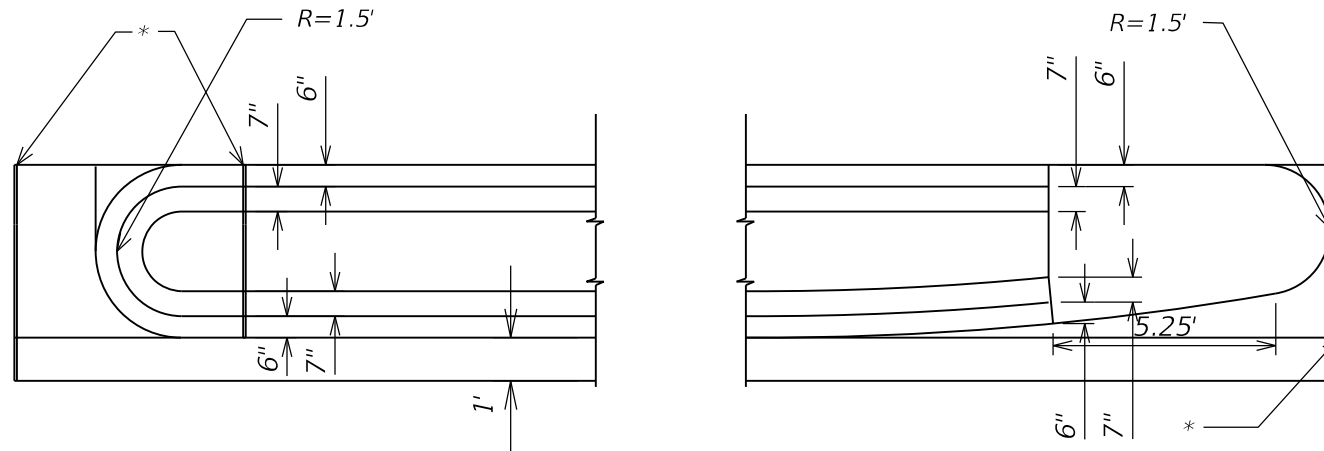
**STATE OF ILLINOIS
DEPARTMENT OF TRANSPORTATION**

**SCHEDULE OF QUANTITIES
US 24 AND CAMERON LANE**

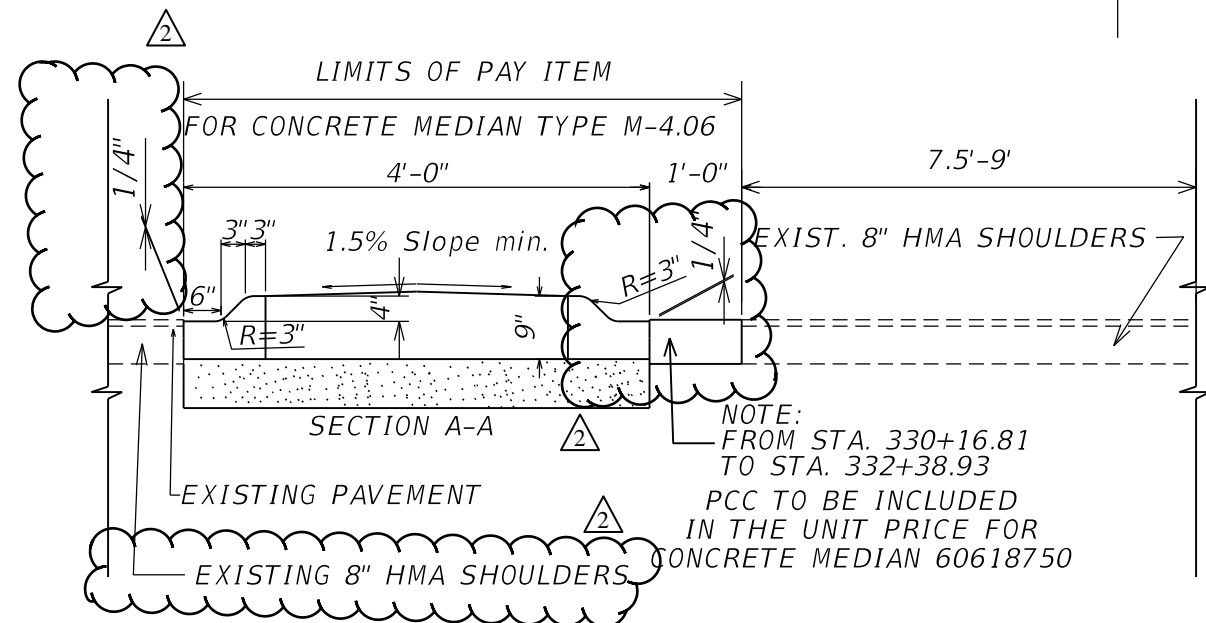
SCALE: N.T.S. SHEET 1 OF 1 SHEETS STA. _____ TO STA. _____

F.A.P. RTE.	SECTION	COUNTY	TOTAL SHEETS	SHEET NO.
317	45TS-1	PEORIA	37	5
CONTRACT NO. 68E03				

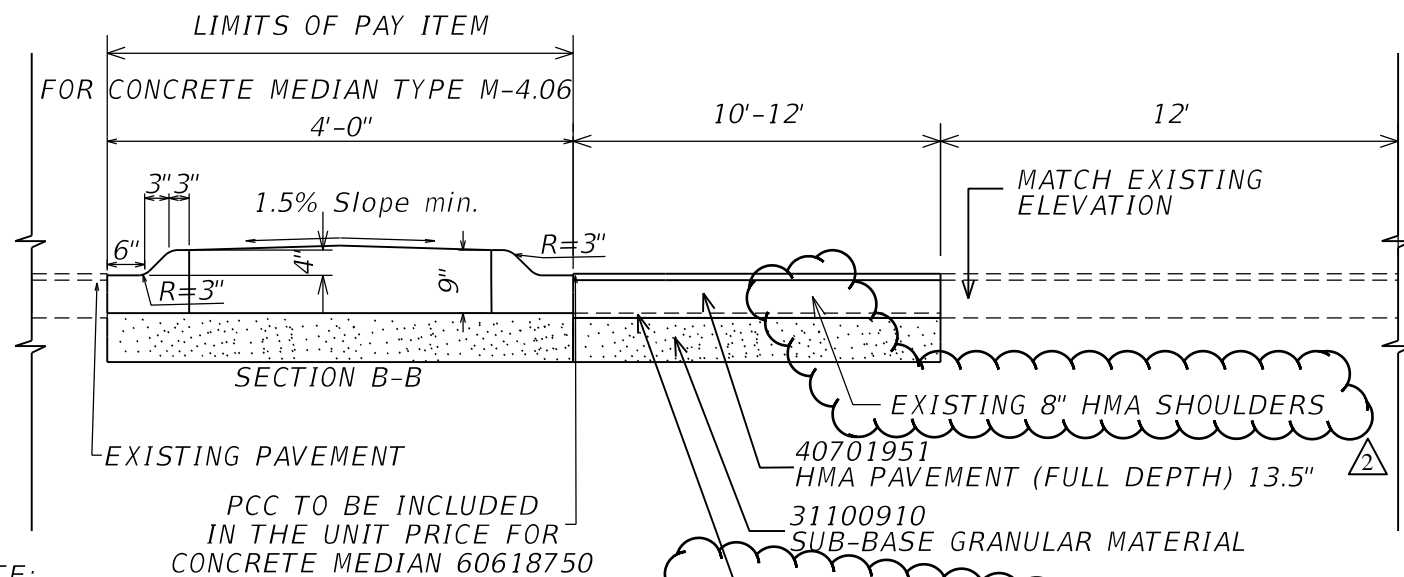
CONCRETE MEDIAN TYPE M-4.06



* 3/4" PEJF between rigid pavement and median end.
Align with joint in adjacent pavement

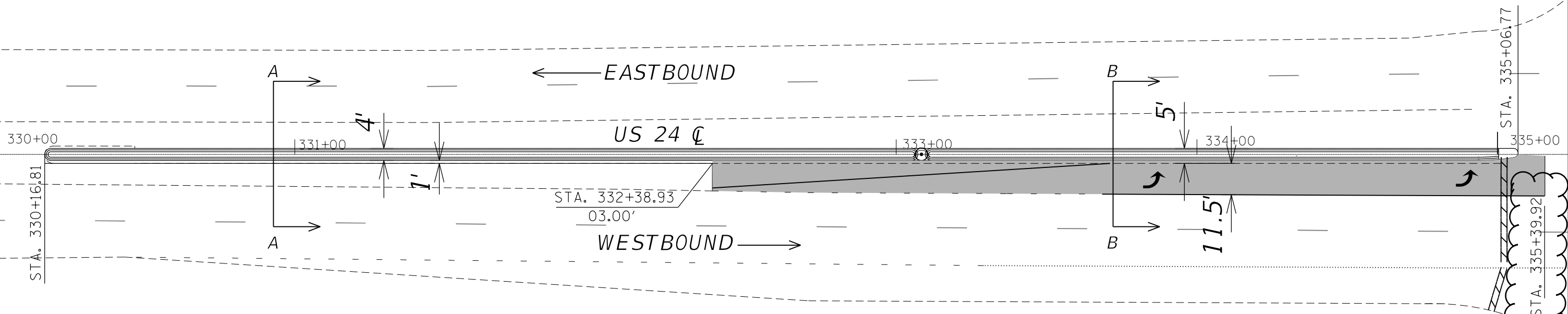
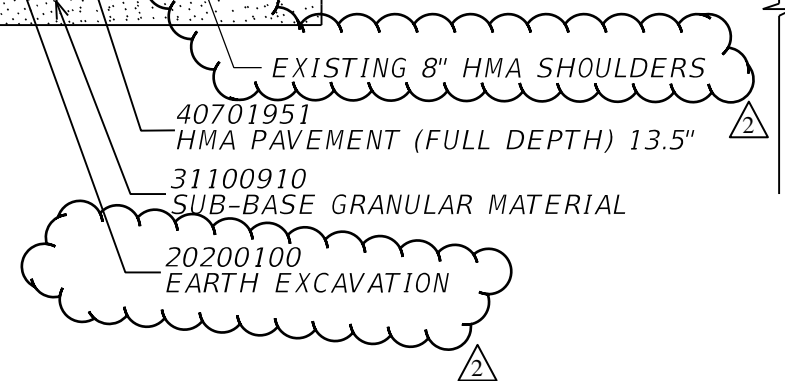


NOTE:
FROM STA. 330+16.81
TO STA. 332+38.93
PCC TO BE INCLUDED
IN THE UNIT PRICE FOR
CONCRETE MEDIAN 60618750



NOTE:
PROPOSED DEPTH BASED
ON OLD TYPICAL SECTION
DEPTH MAY VARY

CONTRACTOR SHALL MATCH
EXISTING PAVEMENT DEPTH



MODEL: Default
FILE NAME: S:\CADD\PROJECTS\68E03\68E03.dgn
PROJECT: US 24 & Cameron Ln Median Detail.dgn

USER NAME = Crespole	DESIGNED -	REVISED -
DRAWN -	REVISIONS -	
PLOT SCALE = 4.000" / in.	CHECKED -	REVISED -
PLOT DATE = 6/4/2018	DATE -	REVISED -

STATE OF ILLINOIS
DEPARTMENT OF TRANSPORTATION

MEDIAN DETAIL PLANS

SCALE: N.T.S. SHEET 1 OF 1 SHEETS STA. TO STA.

F.A.P. RTE. 317	SECTION 45T5-1	COUNTY PEORIA	SHEET 37	OF 25
CONTRACT NO. 68E03				