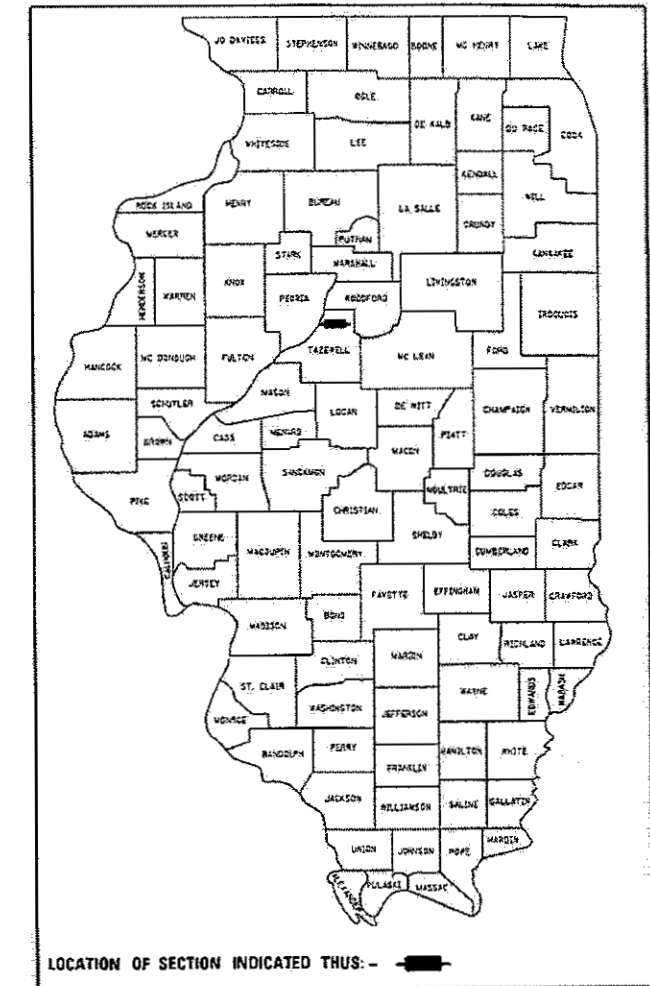


S.D.I. RTE.	SECTION	COUNTY	TOTAL SHEETS	SHEET NO.
24	IL-15D-LBR	TAZEWELL	12	1
		ILLINOIS	CONTRACT NO. 68088	

D-94-074-00



STATE OF ILLINOIS  
DEPARTMENT OF TRANSPORTATION  
DIVISION OF HIGHWAYS

**PROPOSED  
HIGHWAY PLANS**

FAP 656 (IL 29)  
SECTION (L-15D-LBR)  
SCOUR MITIGATION  
TAZEWELL COUNTY

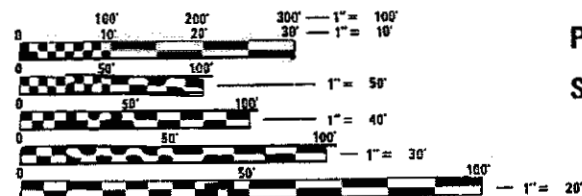
C-094-108-00

- INDEX OF SHEETS:
1. COVER SHEET
  2. GENERAL NOTES & COMMITMENTS
  - 3-4. SUMMARY OF QUANTITIES
  5. SCHEDULE OF QUANTITIES
  6. GENERAL LOCATION
  7. PLAN & ELEVATION
  8. PROPOSED SITE PLAN
  9. CONSTRUCTION PLACEMENT
  10. PIER 1 REPAIR DETAILS
  11. DEWATERING SYSTEM DETAILS
  12. CROSS SECTIONS

HIGHWAY STANDARDS

701001-02	701201-04
701006-05	701301-04
701011-04	701901-07

ADT = 5100 (2015)  
SU = 8.8%  
MU = 6.9%

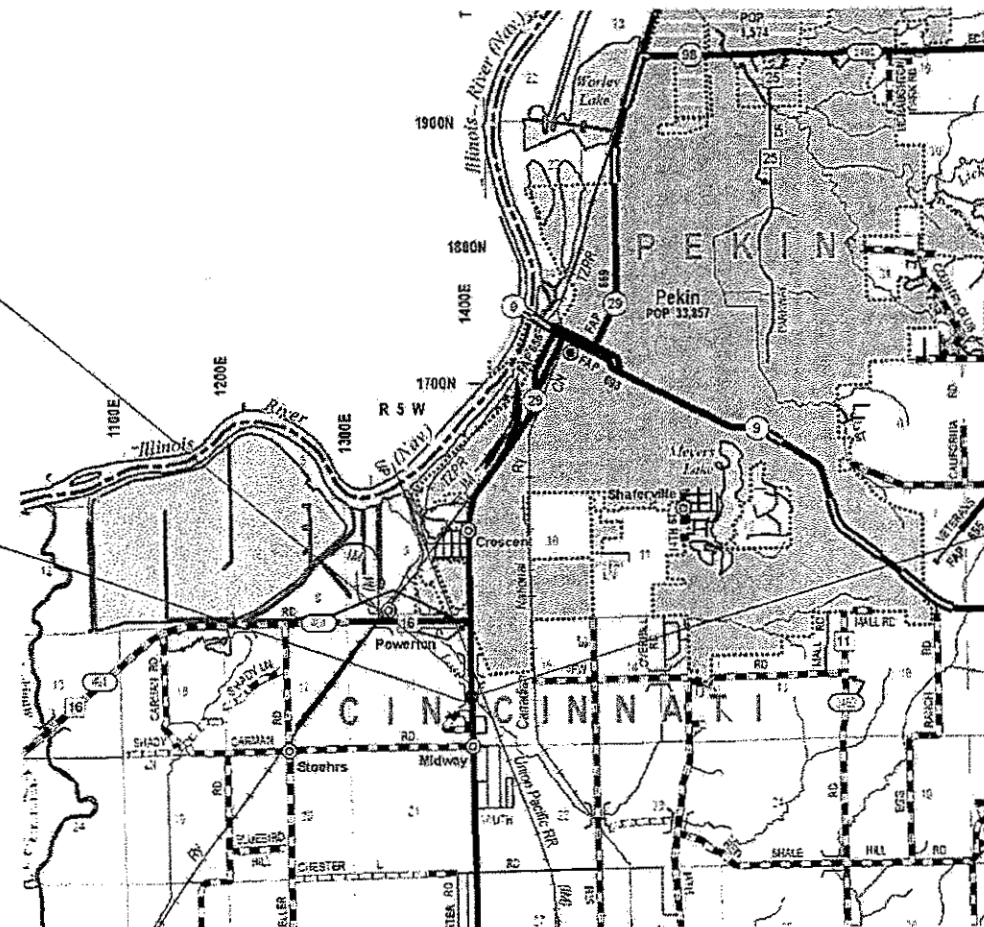


FULL SIZE PLANS HAVE BEEN PREPARED USING STANDARD ENGINEERING SCALES. REDUCED SIZED PLANS WILL NOT CONFORM TO STANDARD SCALES. IN MAKING MEASUREMENTS ON REDUCED PLANS, THE ABOVE SCALES MAY BE USED.

J.U.L.I.E.  
JOINT UTILITY LOCATION INFORMATION FOR EXCAVATION  
1-800-892-0123  
OR 811

PROJECT ENDS  
STA 51+68

PROJECT BEGINS  
STA 48+78



SN 090-0112

DESCRIPTION: SCOUR MITIGATION AT SN 090-0112  
CARRYING IL 29 OVER LOST CREEK SOUTH OF PEKIN.

STATE OF ILLINOIS  
DEPARTMENT OF TRANSPORTATION  
DIVISION OF HIGHWAYS

SUBMITTED mar 20 20 18  
Kenneth A. Barnett (KSD)  
REGION THREE ENGINEER

May H. [Signature]  
ENGINEER OF DESIGN AND ENVIRONMENT

Paul P. [Signature]  
DIRECTOR OF HIGHWAYS PROJECT IMPLEMENTATION 3

PRINTED BY THE AUTHORITY  
OF THE STATE OF ILLINOIS

PROJECT ENGINEER: NICHOLAS JACK  
PROJECT MANAGER: ANTONIO LOPEZ DIAZ  
CATALOG NO: 032284-00D  
CONTRACT NO. 68088 CAT. NO. 032284-00D

GROSS LENGTH = 290 FT. = 0.055 MILES  
NET LENGTH = 290 FT. = 0.055 MILES

**INDEX OF SHEETS**

- 1. COVER SHEET
- 2. GENERAL NOTES AND PROJECT SPECIFIC NOTES
- 3-4. SUMMARY OF QUANTITIES
- 5. SCHEDULE OF QUANTITIES
- 6. GENERAL LOCATION
- 7. PLAN AND ELEVATION
- 8. PROPOSED SITE PLAN
- 9. CONSTRUCTION PLACEMENT DETAILS
- 10. PIER 1 REPAIR DETAILS
- 11. DEWATERING SYSTEM DETAILS
- 12. CROSS SECTIONS

**GENERAL NOTES**

**PLAN ELEVATIONS – U.S.G.S. MEAN SEA LEVEL DATUM**  
 All elevations shown on the plans are established from U.S.G.S. mean sea level datum.

**PROPERTY OWNER ACCESS REQUIREMENT**  
 Access must be maintained to all existing properties during construction per Article 107.09 unless arrangements are made in writing by the Contractor with the property owners with a copy to the Engineer for short-term closures.

**PROJECT SPECIFIC NOTES**

- 1. Plan dimensions and details relative to the existing structure (including High Water Elevation) have been taken from existing plans and are subject to nominal construction variations. It shall be the Contractor's responsibility to verify such dimensions and details in the field and make necessary approved adjustments prior to construction or ordering of materials. Such variations shall not be cause for additional compensation for a change in the scope of the work. However, the Contractor will be paid for the quantity actually furnished at the unit price bid for the work.
- 2. All right-of-way acquisition for this project is based off of the legal centerline of IL29 stationing as recorded on land plat. For construction purposes the plans herein are based off of actual bridge and pavement centerline stationing.
- 3. The Contractor shall be responsible for diverting the water flow from the construction site. The Contractor may use either method of dewatering as described in the Dewatering Special Provision.
- 4. Due to the changing nature of the streambed at the structure being protected, the cross-sections used at each structure may not be representative of existing field conditions. Layout of scour protection systems may be varied in the field to suit ground conditions as directed by the engineer.
- 5. All areas disturbed during construction shall be graded, fertilized, seeded and mulched as directed by the Engineer. Section 250s and 251 of the Standard Specifications shall govern this work.
- 6. It is anticipated that the majority of this work will not require highway traffic lane closures. Lane closures will be permitted on a limited basis and are restricted to one-lane daytime only closures in accordance to IDOT Standards 701201 and 701301.
- 7. The locations of existing water mains, gas mains, sewers, electric power lines, telephones lines and other utilities as shown on the plans are based on careful field investigation and the best information available, but they are not guaranteed. Unless elevations are shown – – – all utility locations shown on the cross sections are based on the approximate depth supplied by the utility company. It shall be the Contractor's responsibility to ascertain their exact location from the utility companies and by field inspection.
- 8. The contractor shall get the existing underground utilities located. Where existing underground utilities conflict with riprap placement, the contractor shall adjust the layout as directed by the Engineer.

FILE NAME = (Taru)0468998-CADD.dgn	USER NAME = jomasco	DESIGNED -	REVISED -	<b>STATE OF ILLINOIS DEPARTMENT OF TRANSPORTATION</b>	<b>GENERAL NOTES</b>	F.A.P. RTE.	SECTION	COUNTY	TOTAL SHEETS	SHEET NO.	
Default	PLOT SCALE = 1/8" = 1' / 32'	DRAWN -	REVISED -			656	IL-150-LBR11	TAZEWELL	12	2	
	PLOT DATE = 6/7/2017	CHECKED -	REVISED -			<b>CONTRACT NO. 68088</b>					
		DATE -	REVISED -			SCALE:	SHEET	OF	SHEETS	STA.	TO STA.

100% STATE

# SUMMARY OF QUANTITIES

CONSTR. CODE
0048
TAZEWELL COUNTY

CODE NO.	ITEM	UNIT	TOTAL
20200100	EARTH EXCAVATION	CU.YD.	684
20300100	CHANNEL EXCAVATION	CU.YD.	800
25000210	SEEDING, CLASS 2A	ACRE	0.3
25000400	NITROGEN FERTILIZER NUTRIENT	POUND	27
25000500	PHOSPHORUS FERTILIZER NUTRIENT	POUND	27
25000600	POTASSIUM FERTILIZER NUTRIENT	POUND	27
25100900	TURF REINFORCEMENT MAT	SQ.YD.	520
28000305	TEMPORARY DITCH CHECKS	FOOT	80
28000400	PERIMETER EROSION BARRIER	FOOT	400
28100107	STONE RIPRAP, CLASS A4	SQ.YD.	616
28100111	STONE RIPRAP, CLASS A6	SQ.YD.	550

FILE NAME \*  
I:\an10468288-CADD.dgn  
Default

USER NAME = jonesco	DESIGNED -	REVISED -
	DRAWN - CEJ	REVISED -
PLOT SCALE = 100.0000' / 1" =	CHECKED -	REVISED -
PLOT DATE = 3/16/2017	DATE - 10/21/2016	REVISED -

**STATE OF ILLINOIS  
DEPARTMENT OF TRANSPORTATION**

**SUMMARY OF QUANTITIES**

SCALE: | SHEET OF SHEETS | STA. TO STA.

F.A.P. RTE.	SECTION	COUNTY	TOTAL SHEETS	SHEET NO.
658	(L-150-LBR)	TAZEWELL	12	3
ILLINOIS FED. AID PROJECT			CONTRACT NO. 68088	

# SUMMARY OF QUANTITIES

100% STATE

		CONSTR. CODE	
		0048	
		TAZEWELL COUNTY	
CODE NO.	ITEM	UNIT	TOTAL
28200200	FILTER FABRIC	SQ.YD.	1000
31101900	SUB-BASE GRANULAR MATERIAL, TYPE C	TON	105
50100100	REMOVAL OF EXISTING STRUCTURES	EACH	1
* 66900200	NON-SPECIAL WASTE DISPOSAL	CUYD	1000
* 66900450	SPECIAL WASTE PLANS AND REPORT	LSUM	1
* 66900530	SOIL DISPOSAL ANALYSIS	EACH	3
67100100	MOBILIZATION	LSUM	1
70100450	TRAFFIC CONTROL AND PROTECTION, STANDARD 701201	LSUM	1
X0301852	DEWATERING STRUCTURE NO. 1	EACH	1
Z0012754	STRUCTURAL REPAIR OF CONCRETE (DEPTH EQUAL TO OR LESS THAN 5 INCHES)	SQ.FT.	20
Z0015802	PLUG EXISTING DECK DRAINS	EACH	20

\* SPECIALTY ITEMS

FILE NAME * ITomID468288-CADD.dgn	USER NAME * jonesce	DESIGNED -	REVISED -	<b>STATE OF ILLINOIS DEPARTMENT OF TRANSPORTATION</b>	<b>SUMMARY OF QUANTITIES</b>	F.A.P. RTE.	SECTION	COUNTY	TOTAL SHEETS	SHEET NO.	
Default	PLOT SCALE = 100.0000' / 1" =	DRAWN - CEJ	REVISED -			656	IL-15D-LBRI	TAZEWELL	12	4	
	PLOT DATE = 3/16/2017	CHECKED -	REVISED -			SCALE: SHEET OF SHEETS STA. TO STA.					
		DATE - 10/21/2016	REVISED -			CONTRACT NO. 68088 ILLINOIS FED. AID PROJECT					

# SCHEDULE OF QUANTITIES

## EARTH EXCAVATION

LOCATION	UNIT	QUANTITY
US embankments & DS S. embankment	CuYd	684
TOTAL		684

## CHANNEL EXCAVATION

LOCATION	UNIT	QUANTITY
STA. 48+78 Rt. to STA. 50+25 Lt.	CuYd	800
TOTAL		800

## SEEDING, CLASS 2

LOCATION	UNIT	QUANTITY
Streamside Embankments	Acre	0.3
TOTAL		0.3

## NITROGEN FERTILIZER NUTRIENT

LOCATION	UNIT	QUANTITY
Streamside Embankments	Pound	27
TOTAL		27

## PHOSPHORUS FERTILIZER NUTRIENT

LOCATION	UNIT	QUANTITY
Streamside Embankments	Pound	27
TOTAL		27

## POTASSIUM FERTILIZER NUTRIENT

LOCATION	UNIT	QUANTITY
Streamside Embankments	Pound	27
TOTAL		27

## TURF REINFORCEMENT MAT

LOCATION	UNIT	QUANTITY
Streamside Embankments	SqYd	520
TOTAL		520

## TEMPORARY DITCH CHECKS

LOCATION	UNIT	QUANTITY
DS of Channel Ex	FOOT	80
TOTAL		80

## PERIMETER EROSION BARRIER

LOCATION	UNIT	QUANTITY
Top Embankments & DS STA. 48+98 75 Rt.	Foot	400
TOTAL		400

## STONE RIPRAP, CLASS A4

LOCATION	UNIT	QUANTITY
STA. 49+88 Rt. 38 to 50+08 Rt.38	SqYd	416
DS of Channel Ex	SqYd	200
TOTAL		616

## STONE RIPRAP, CLASS A6

LOCATION	UNIT	QUANTITY
STA. 48+78 Rt. to 50+25 Lt.	SqYd	550
TOTAL		550

## FILTER FABRIC

LOCATION	UNIT	QUANTITY
Under all Riprap Placement	SqYd	1000
TOTAL		1000

## SUB-BASE GRANULAR MATERIAL, TYPE C

LOCATION	UNIT	QUANTITY
STA. 49+88 Rt. 38 to 50+08 Rt.38	TON	55
DS of Channel Ex	TON	50
TOTAL		105

## REMOVAL OF EXISTING STRUCTURES

LOCATION	UNIT	QUANTITY
DS of Channel	Each	1
TOTAL		1

## NON-SPECIAL WASTE DISPOSAL

LOCATION	UNIT	QUANTITY
Project Site	CuYd	1000
TOTAL		1000

## SPECIAL WASTE PLANS & REPORT

LOCATION	UNIT	QUANTITY
Project Site	Lsum	1
TOTAL		1

## SOIL DISPOSAL ANALYSIS

LOCATION	UNIT	QUANTITY
Project Site	Each	3
TOTAL		3

## MOBILIZATION

LOCATION	UNIT	QUANTITY
Project Site	Lsum	1
TOTAL		1

## T. C. & P. STANDARD 701201

LOCATION	UNIT	QUANTITY
Project Site	Lsum	1
TOTAL		1

## DEWATERING STRUCTURE NO. 1

LOCATION	UNIT	QUANTITY
Project Site	Each	1
TOTAL		1

## STRUCTURAL REPAIR OF CONCRETE

LOCATION	UNIT	QUANTITY
PI Pile Locations facing Channel	SqFt	20
TOTAL		20

## PLUG EXIST. DECK DRAINS

LOCATION	UNIT	QUANTITY
DECK - BASE OF PARAPETS	EACH	20
TOTAL		20





FILE NAME =  
 (Tens)D468288-CA00.dgn  
 Default

USER NAME = jonesce  
 PLOT SCALE = 100.0000' / in.  
 PLOT DATE = 1/26/2017

DESIGNED -  
 DRAWN -  
 CHECKED -  
 DATE -

REVISED -  
 REVISED -  
 REVISED -  
 REVISED -

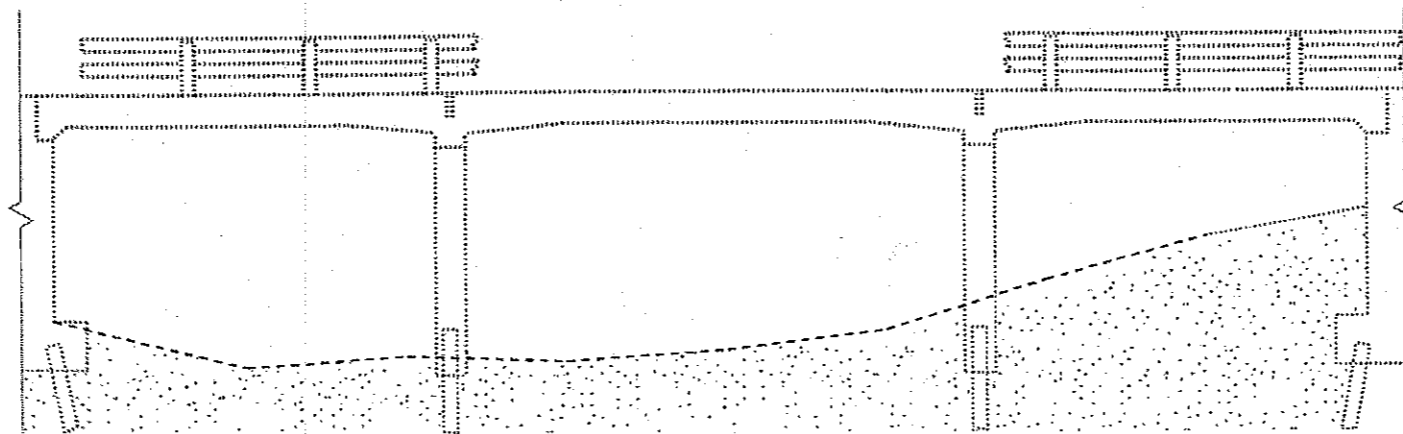
**STATE OF ILLINOIS  
 DEPARTMENT OF TRANSPORTATION**

**GENERAL LOCATION**

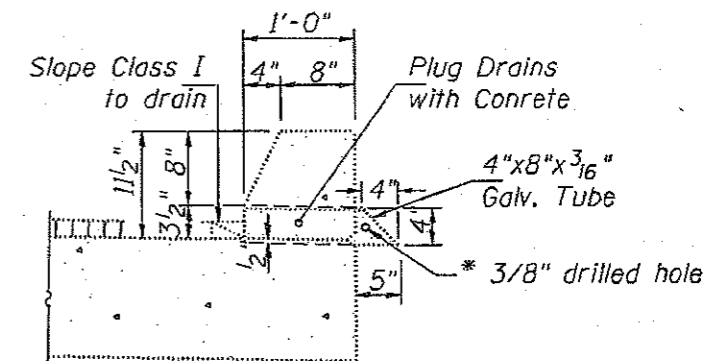
SCALE: SHEET OF SHEETS STA. TO STA.

F.A.P. RTE.	SECTION	COUNTY	TOTAL SHEETS	SHEET NO.
656	(L-150-LBR)	TAZEWELL	12	6
CONTRACT NO. 68088				
ILLINOIS FED. AID PROJECT				





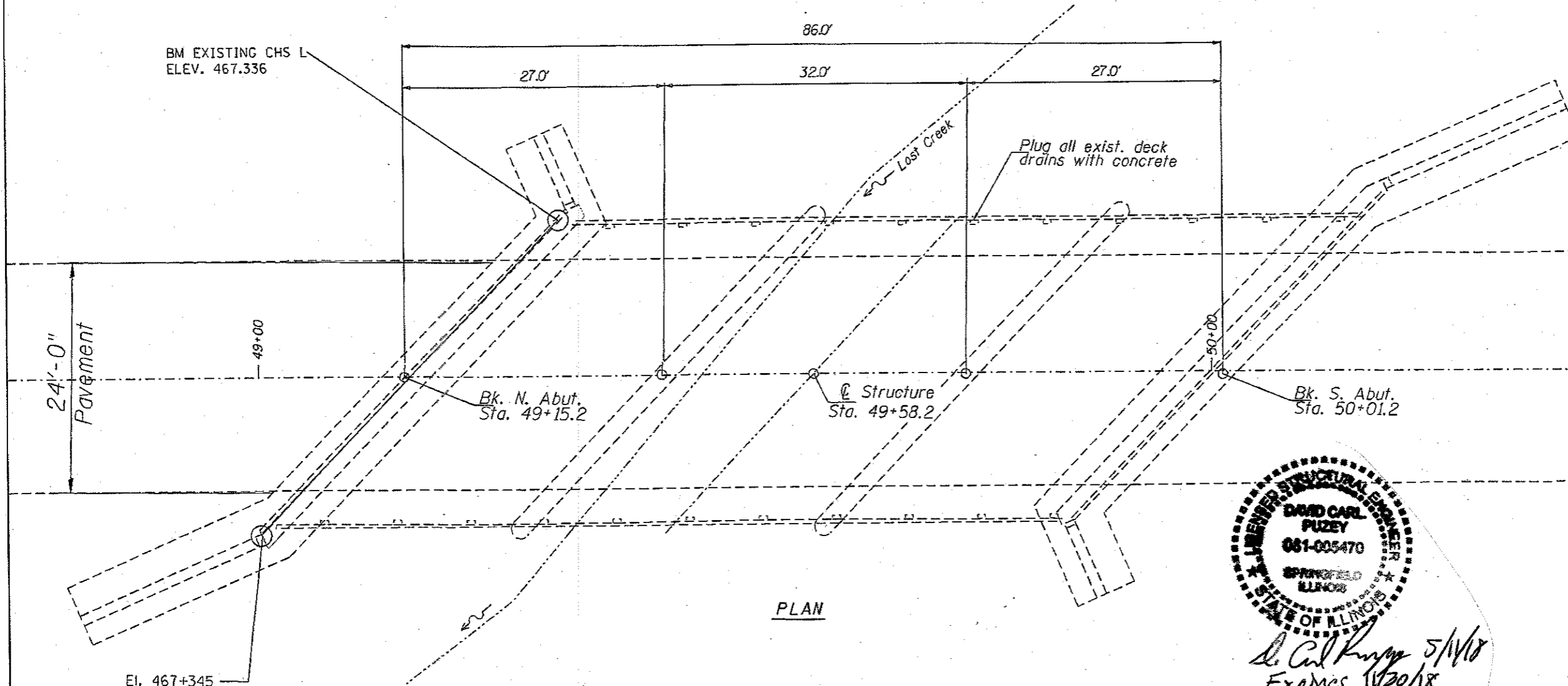
ELEVATION



CURB SECTION AT DRAIN

\* Field drill 3/8" hole for 1/4"  $\phi$  threaded rod 13" long with nuts & washers.

Coat the interior surface with a bonding agent and plug drain with concrete.



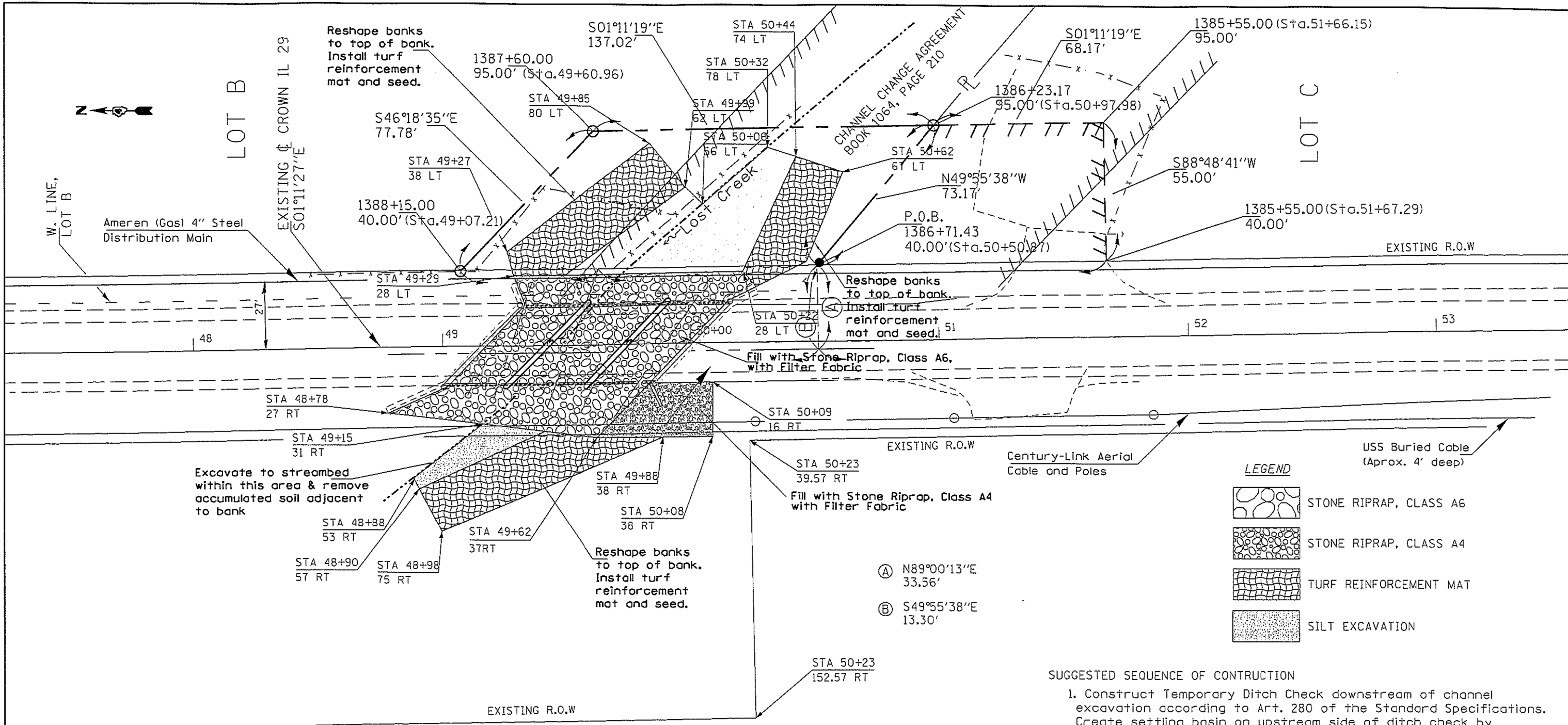
PLAN







*David Carl Pluzey* 5/14/18  
Expires 1/20/18

IL 29 OVER Lost CREEK  
STRUCTURE NO. 090-0112  
STA. 49+58.2

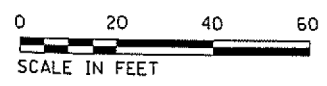
FILE NAME =	USER NAME = jonesca	DESIGNED -	REVISED -	<b>STATE OF ILLINOIS DEPARTMENT OF TRANSPORTATION</b>	<b>PLAN AND ELEVATION STRUCTURE NO. 090-0112</b>		F.A.P. RTE.	SECTION	COUNTY	TOTAL SHEETS	SHEET NO.
PLOT SCALE = 1/8" = 1' / in.							CHECKED -	REVISED -	656	IL-150-LBR1	TAZEWELL
PLOT DATE = 5/15/2018					DATE -	REVISED -	CONTRACT NO. 68088				
							ILLINOIS FED. AID PROJECT				



**LEGEND**

-  STONE RIPRAP, CLASS A6
-  STONE RIPRAP, CLASS A4
-  TURF REINFORCEMENT MAT
-  SILT EXCAVATION

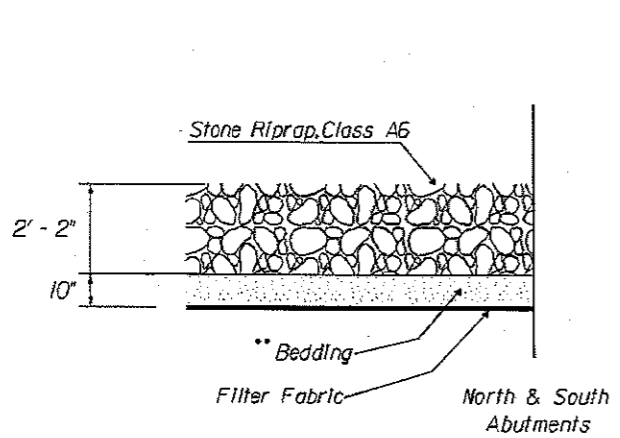
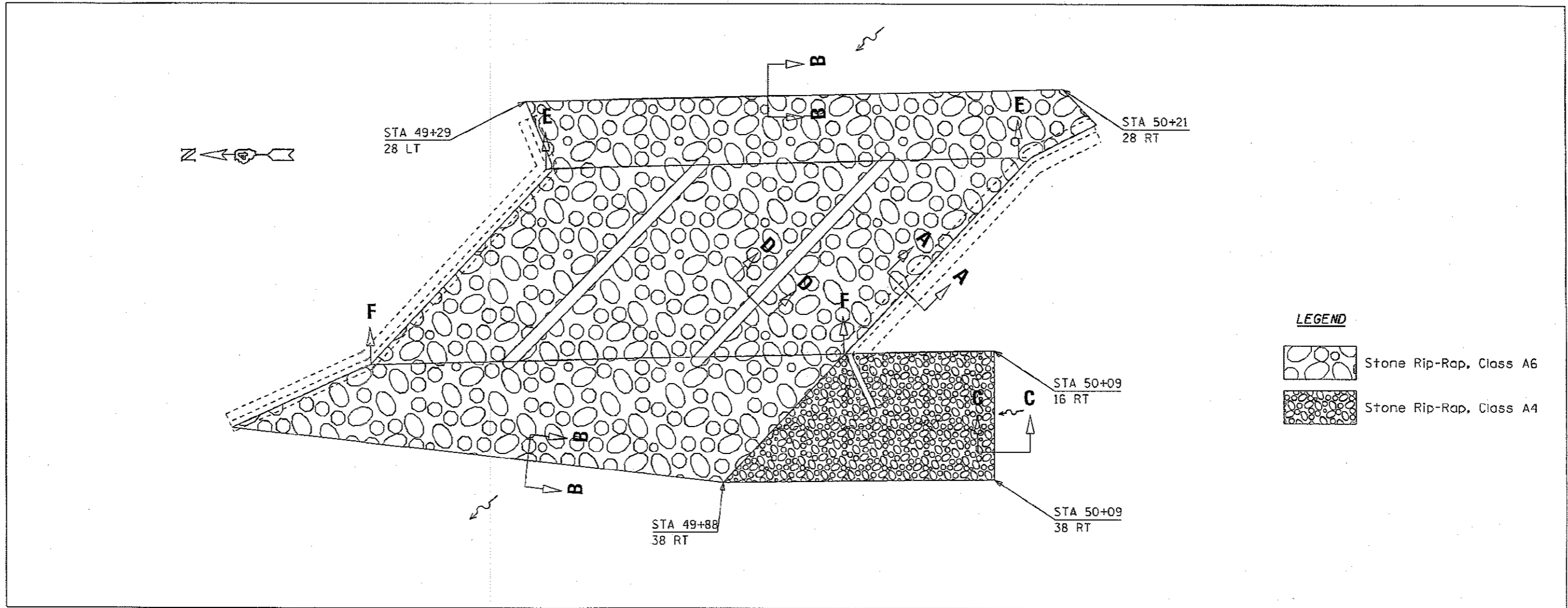
- SUGGESTED SEQUENCE OF CONSTRUCTION**
1. Construct Temporary Ditch Check downstream of channel excavation according to Art. 280 of the Standard Specifications. Create settling basin on upstream side of ditch check by lowering streambed elevation minimum two feet.
  2. Install dewatering system and divert water flow from the construction area.
  3. Excavate to lines, grades, contours, and dimensions shown. The prepared area shall be inspected and approved by the Engineer before further work can take place.
  4. Install filter fabric on the graded surfaces as shown on the plans.
  5. Install site specific scour countermeasures. See detail sheet for specific installation procedures.
  6. Remove dewatering system.
  7. Grade and seed ground disturbed during construction (Cost included with Earth Excavation).



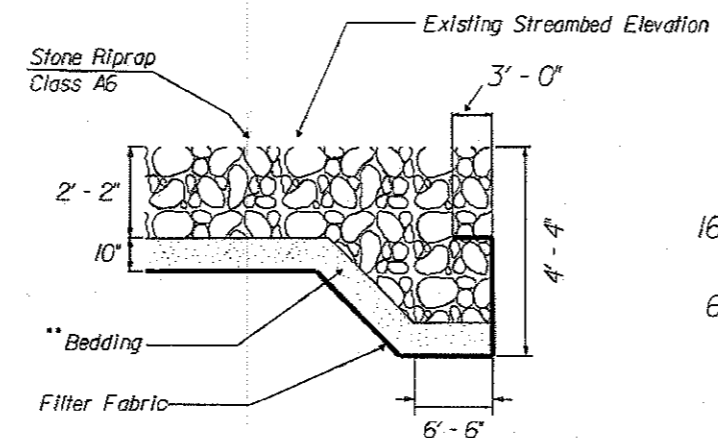
NOTE: STRUCTURE NUMBER 090-112 CONSISTS OF A THREE SPAN CAST IN PLACE CONCRETE SLAB BRIDGE SUPPORTED ON CLOSED REINFORCED CONCRETE ABUTMENTS AND TWO SOLID REINFORCED CONCRETE PIERS

FILE NAME =	USER NAME = jonesco	DESIGNED -	REVISED -	<b>STATE OF ILLINOIS DEPARTMENT OF TRANSPORTATION</b>	<b>PROPOSED SITE PLAN</b>	F.A.P. RTE.	SECTION	COUNTY	TOTAL SHEETS	SHEET NO.	
S:\GEN\DRAWING\ST&PLNS\5queu\BRIDGES\BCH	S and SCOUR\SCOUR\68088 5N090-0112 Lost Creek	DRAWN BY: m10468088-CADD.dgn	REVISED -			656	IL-150-LBRIE	TAZEWELL	12	8	
Defaults	PLOT SCALE = 100.0000' / 1" =	CHECKED -	REVISED -			CONTRACT NO. 68088					
	PLOT DATE = 6/14/2017	DATE -	REVISED -			ILLINOIS FED. AID PROJECT					

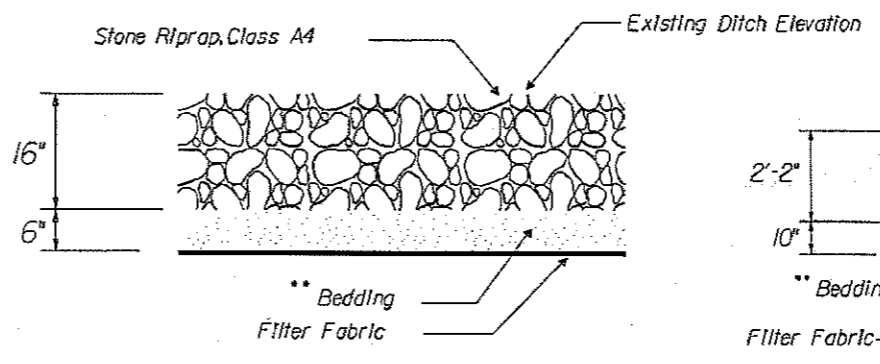




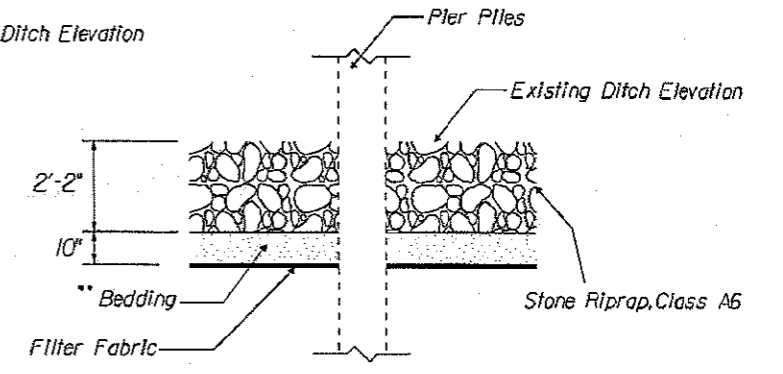
**SECTION A - A**



**SECTION B - B**



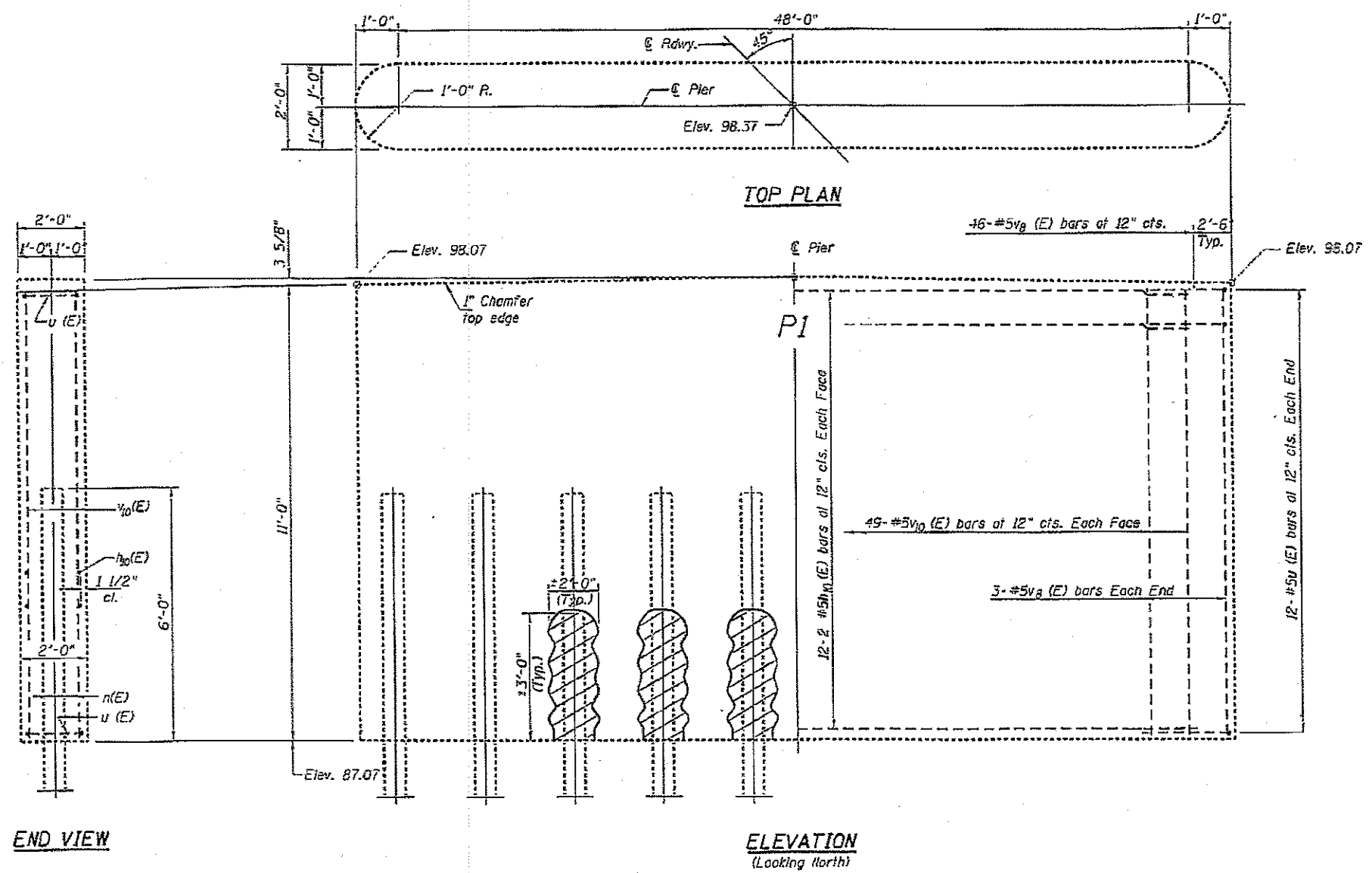
**SECTION C - C**



**SECTION D - D**

\*\* Bedding Rock Cost Included in Stone Rip-Rap

FILE NAME =	USER NAME = jonesca	DESIGNED -	REVISED -	<b>STATE OF ILLINOIS DEPARTMENT OF TRANSPORTATION</b>	<b>RIPRAP DETAILS STRUCTURE NO. 090-0112</b>	F.A.P. / R.T.E.	SECTION	COUNTY	TOTAL SHEETS	SHEET NO.
p:\2\110848EID\INTEG.Illinois.gov\PIGOT\Documents\DOT Offices\District 4\Projects\04-6888\W04\CAD\Drawings\046888-CA00.dwg	REVISOR -	CHECKED -	REVISED -			656	(L-150-LBR)	TAZEWELL	12	9
Default	PLOT SCALE = 1/8" = 100.0000' / in.	DATE -	REVISED -			SCALE:	SHEET OF SHEETS	STA.	TO STA.	CONTRACT NO. 68088
	PLOT DATE = 5/15/2018									[ILLINOIS] FED. AID PROJECT



**Legend**



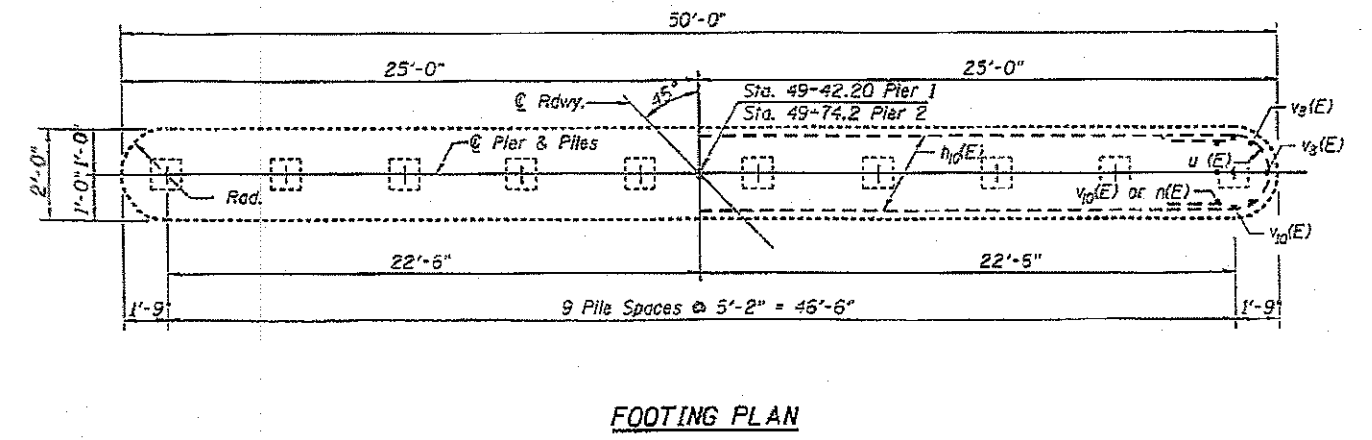
Structural Concrete Repair

**NOTES:**

1. Structural Repair of Concrete shall be done when maximum depth of pier surface is exposed.
2. Repair area quantity may be increased as per Bridge Inspection requirements at time of construction.

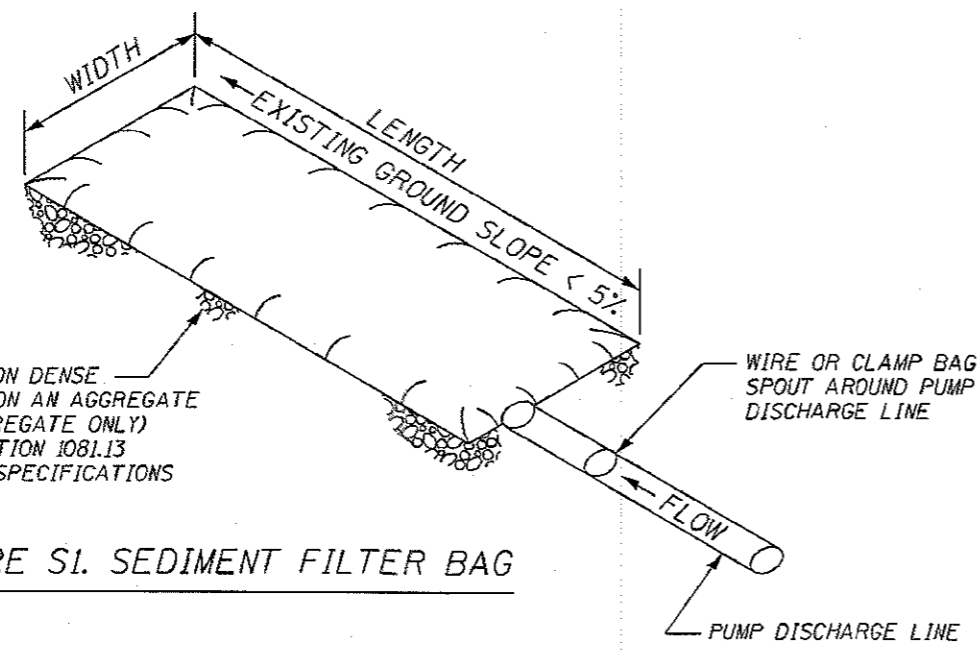
**PILE DATA**

Type: Concrete  
 Factored Resistance Available: 35Ton  
 Est. Length: 41' Pier 1  
 33' Pier 2  
 No. Production Piles: 10 @ Pier 1  
 10 @ Pier 2  
 No. Test Piles: 1



**BILL OF MATERIAL**

CODE NO.	ITEM	UNIT	QUANTITY
20012754	Structural Repair of Concrete (Depth Equal to or Less Than 5")	SO.FT.	20



PLACE FILTERBAG ON DENSE MATURE GRASS OR ON AN AGGREGATE BASE (COARSE AGGREGATE ONLY) CONFORMING TO SECTION 1081.13 OF THE STANDARD SPECIFICATIONS

ENSURE THAT RUNOFF FROM THE BAG LOCATION IS PREVENTED FROM CAUSING EROSION BY GRASS, STONE, OR GEOTEXTILE LINING OF DISCHARGE CHANNEL.

REMOVE SILT WHEN BAG IS HALF FULL OR MORE OFTEN IF RECOMMENDED BY THE MANUFACTURER. DISPOSE OF SILT BY TRANSPORTING THE FILLED BAG TO DISPOSAL AREA. SLIT THE BAG, BLEND SILT INTO EXISTING TOPOGRAPHY, SEED AND MULCH

MAINTAIN EXTRA FILTER BAGS ON SITE. REPLACE DAMAGED BAGS PROMPTLY

TYPICAL FLOW RATE: 10 GPM x W x L

FIGURE S1. SEDIMENT FILTER BAG

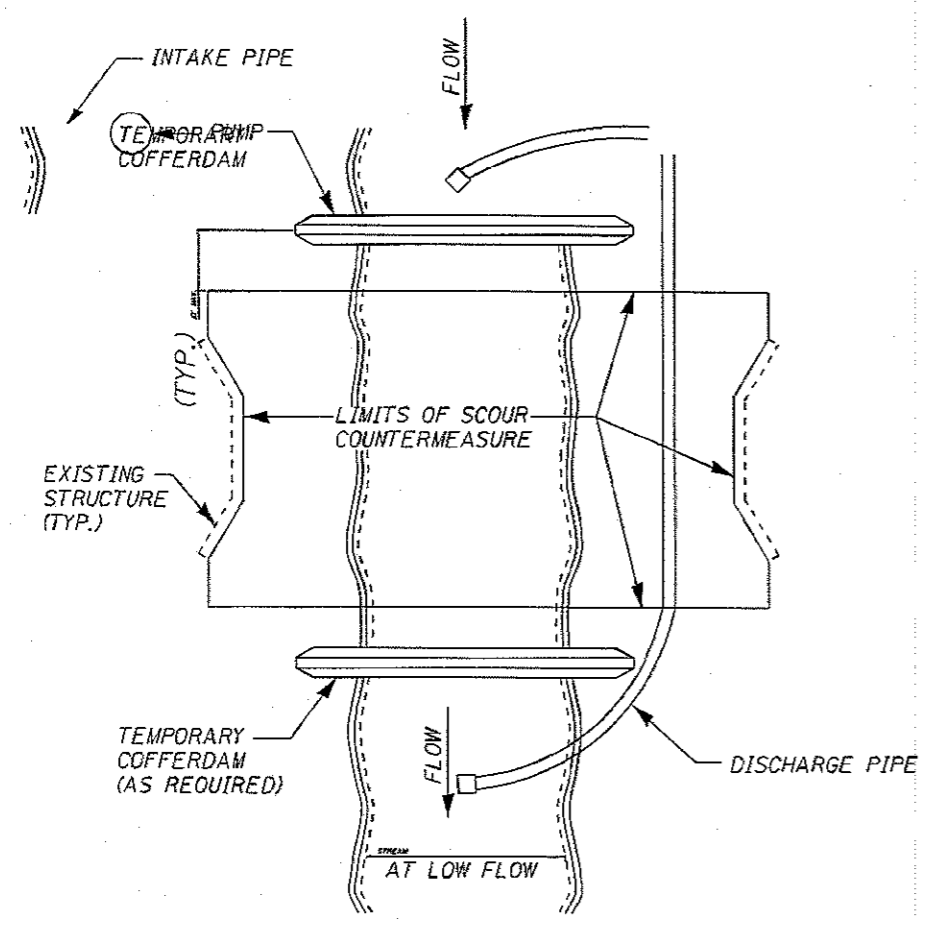


FIGURE D1. TEMPORARY COFFERDAM WITH PUMP BYPASS

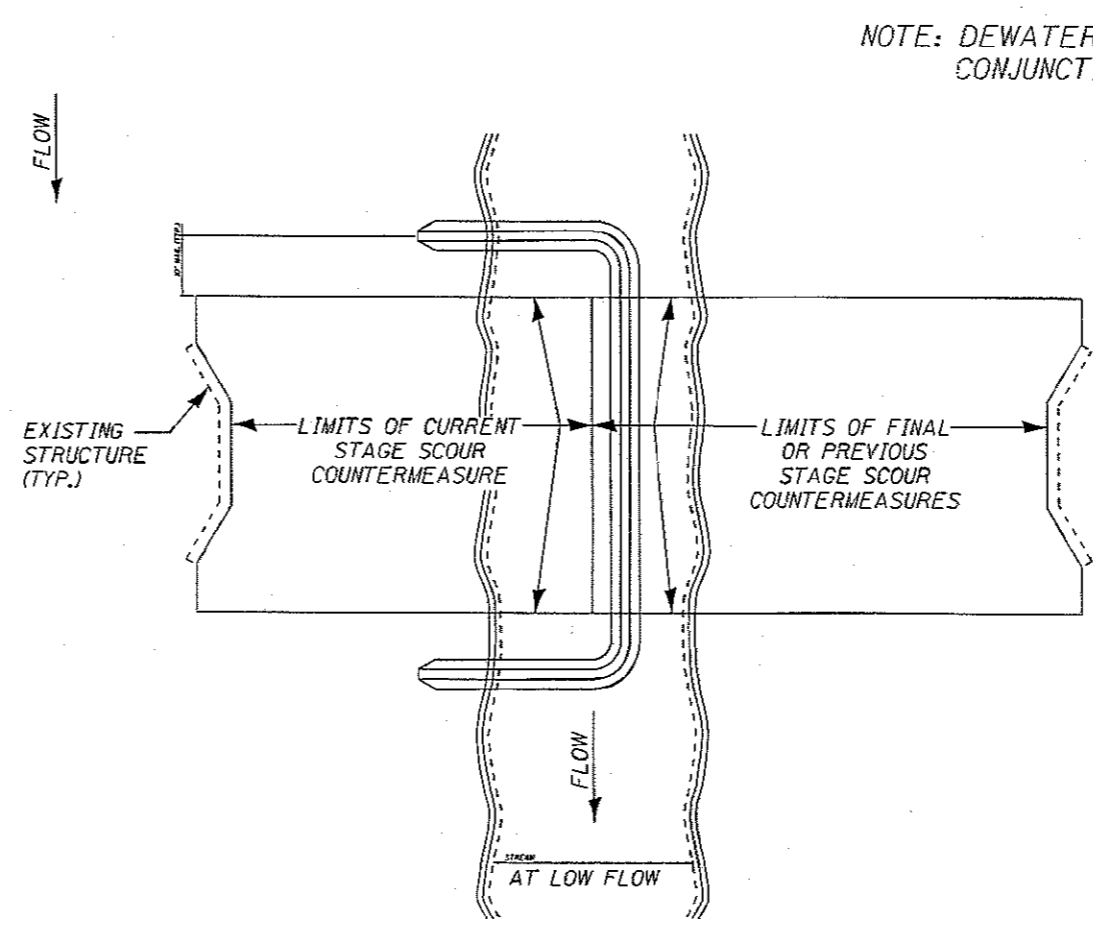


FIGURE D2. STAGED IN-STREAM COFFERDAM DIVISION

NOTE: DEWATERING SYSTEM DETAILS SHALL BE USED IN CONJUNCTION WITH THE PROJECT SPECIAL PROVISIONS.

MODEL D1 CDE  
FILE NAME: S:\GREENDRAFT\STAGE 4\SCOUR\SCOUR\DESIGN\DESIGN.DWG

USER NAME = jprisco	DESIGNED = JPN	REVISED =
PLOT SCALE = 30 0000 1 in.	DRAWN = CEJ	REVISED =
PLOT DATE = 5/11/2018	CHECKED =	REVISED =
	DATE = 05-04-2018	REVISED =

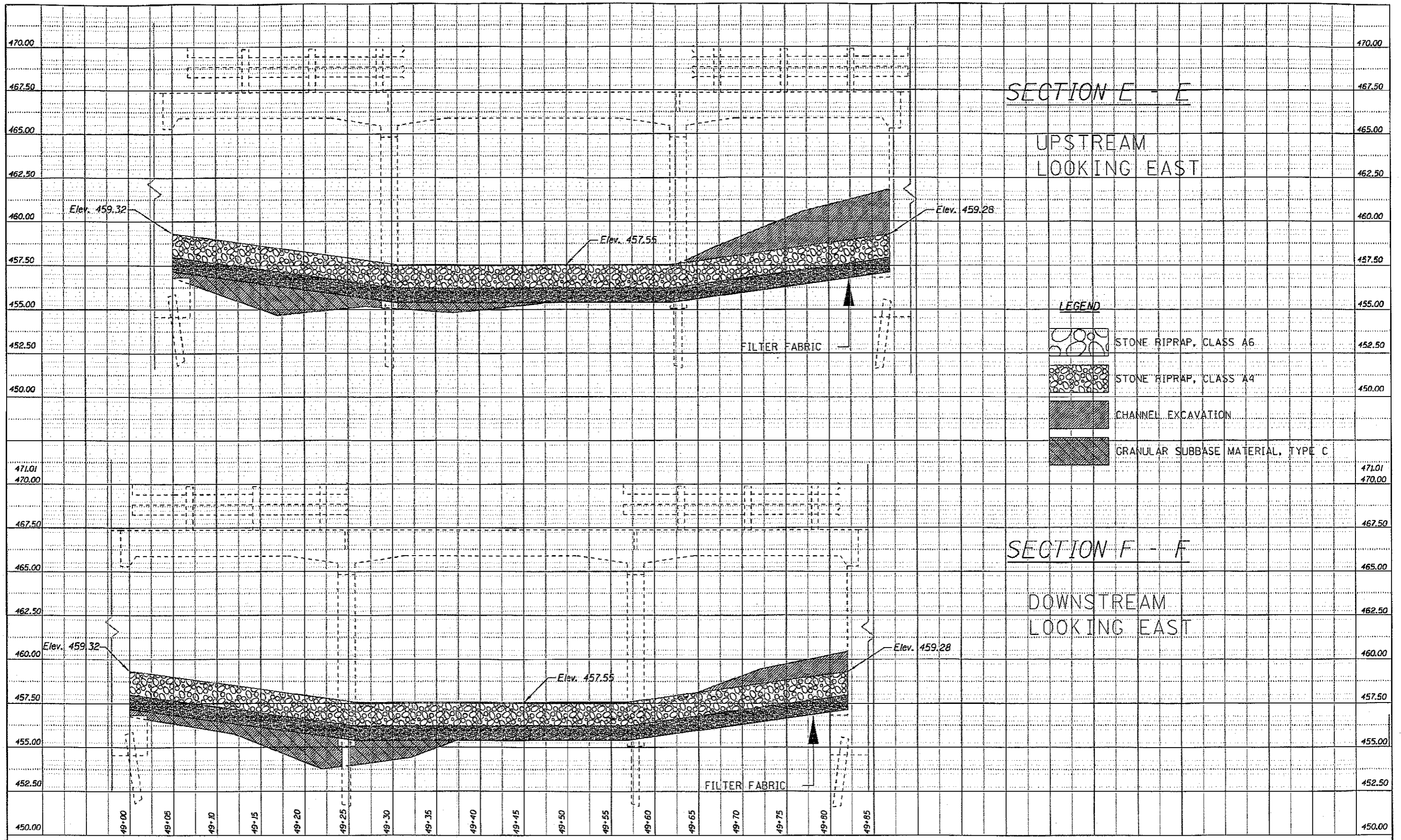
STATE OF ILLINOIS  
DEPARTMENT OF TRANSPORTATION

DEWATERING SYSTEM DETAILS				
STRUCTURE NUMBER 090-0112				
SCALE	SHEET	OF	SHEETS	STA TO STA

F.A.P. RTE.	SECTION	COUNTY	TOTAL SHEETS	SHEET NO.
656	IL-15D-LBRJ	TAZEWELL	12	11
D4 SCOUR MITIGATION			CONTRACT NO. 68088	
ILLINOIS FED AID PROJECT				

DATE	
BY	
DESIGNED	
PLANNED	
ALIGNED	
CHECKED	
NOTE BOOK	
NO.	
DATE	
BY	
DESIGNED	
PLANNED	
ALIGNED	
CHECKED	
NOTE BOOK	
NO.	

DATE	
BY	
DESIGNED	
PLANNED	
ALIGNED	
CHECKED	
NOTE BOOK	
NO.	
DATE	
BY	
DESIGNED	
PLANNED	
ALIGNED	
CHECKED	
NOTE BOOK	
NO.	



FILE NAME =	USER NAME = jonesee	DESIGNED -	REVISED -	<b>STATE OF ILLINOIS DEPARTMENT OF TRANSPORTATION</b>	<b>CROSS SECTIONS STRUCTURE NO. 090-0112</b>			F.A. RTE.	SECTION	COUNTY	TOTAL SHEETS	SHEET NO.
p:\11084EBID\INTEG\Illinois.gov\PWIDOT\Documents\1007 Dificas\District 4\Projects\04.688888\04.688888\04.688888-CADD\Drawings\04688888-CADD.dwg		CHECKED -	REVISED -		656	IL-150-LBR1	TAZEWELL	12	12			
Default	PLOT SCALE = 100.0000' / in.	DATE -	REVISED -		SCALE: SHEET OF SHEETS STA. TO STA.			CONTRACT NO. 68088				
	PLOT DATE = 5/15/2018							ILLINOIS FED. AID PROJECT				